

Spare Parts Catalogue

SCA250D-5EN1

Valid from roller serial number:
10000108x0A000001 -



Diesel engines:
Cummins QSB 4.5C

Published catalogue issues valid for these rollers:

Catalogue	Issue date	Valid for serial numbers
SCA250D-5EN1	2010-03	10000108x0A000001 -

ConstructionParts.com

888-634-4289



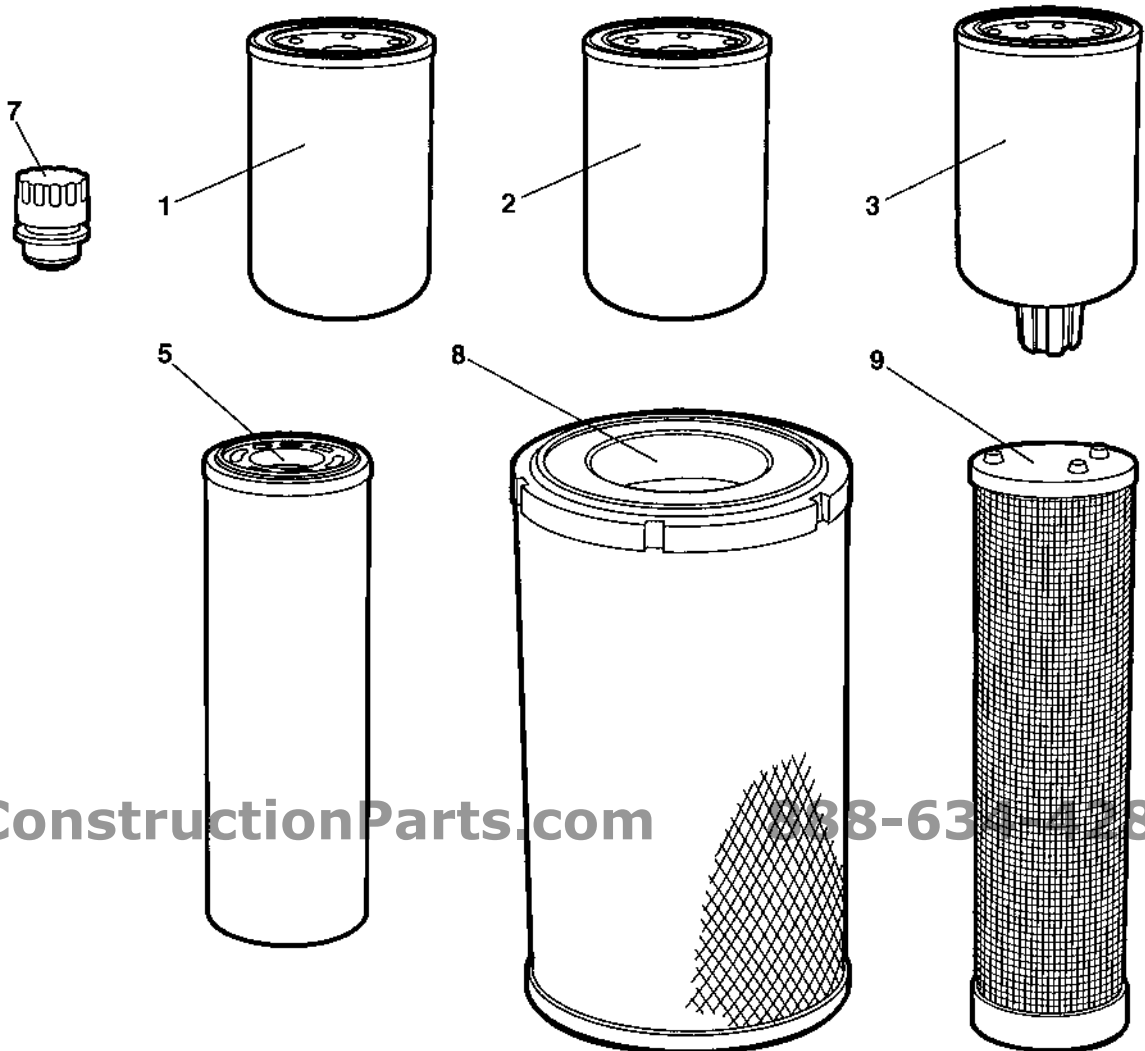
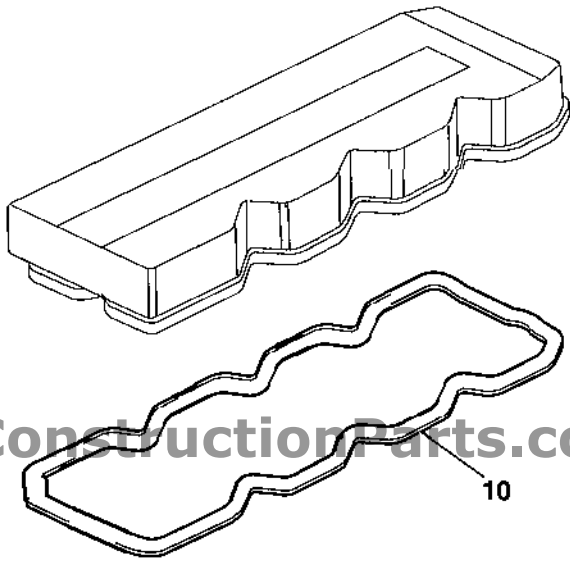
Service kits

Item	Part No	Rem Qty	Description	Code
10	4700945845		Service kit 50 h (Page 6)	
20	4700945790		Service kit 500 h (Page 8)	
30	4700945846		Service kit 1000 h (Page 10)	

ConstructionParts.com

ConstructionParts.com

888-634-4289



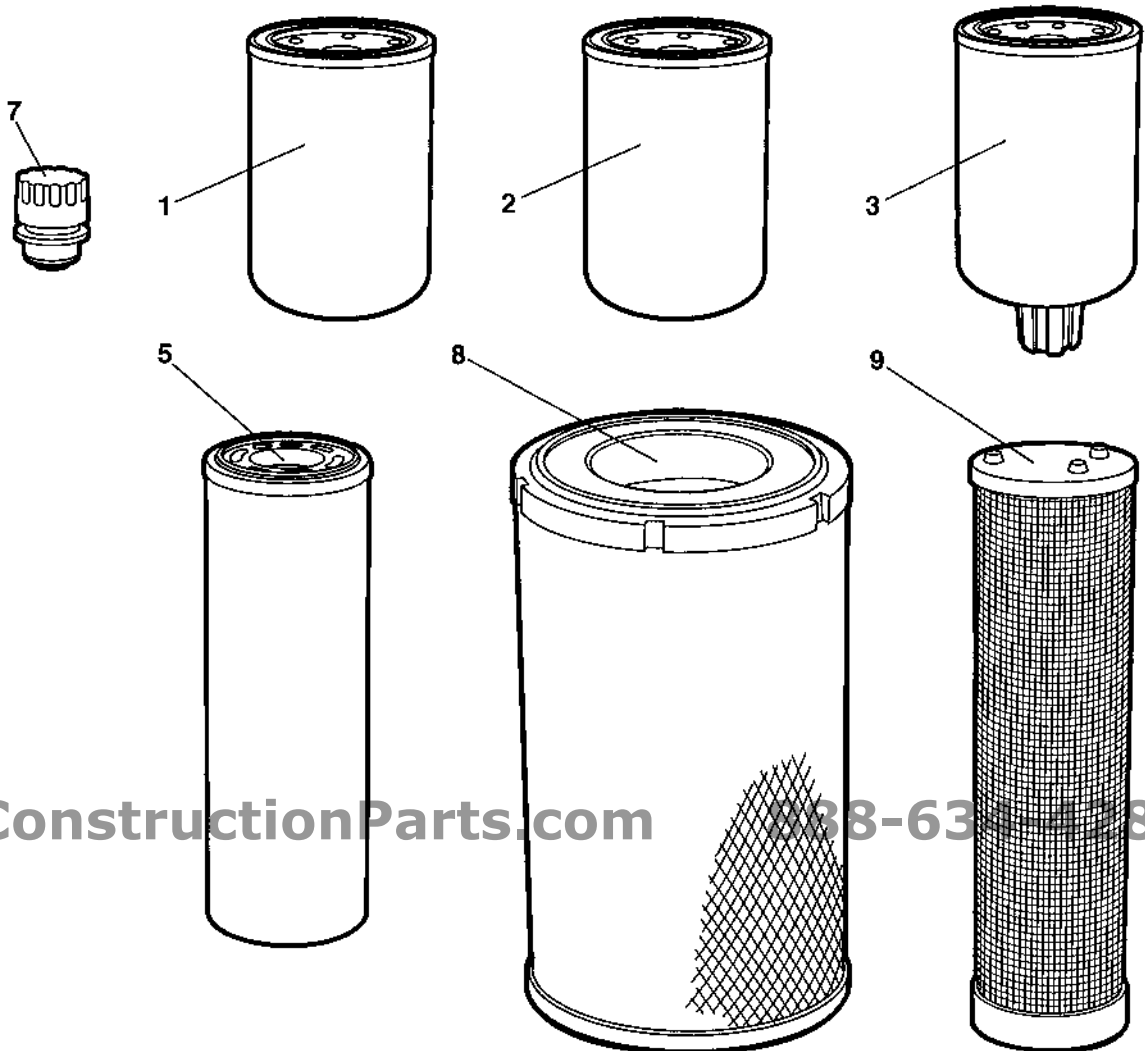
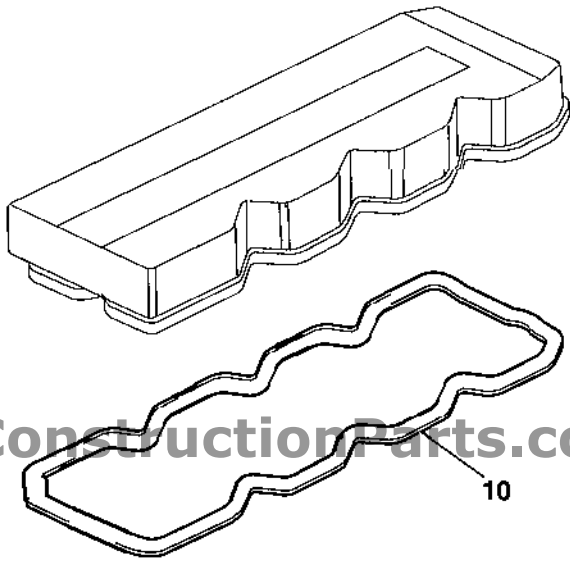
4700945845 Service kit 50 h

Item	Part No	Rem Qty	Description	Code
	4700945845		Service kit 50 h (Page 6)	
1	4700945145	1	Oil filter element	A
2	4700945624	1	Fuel filter element	A
3	4700945147	1	Pre-fuel filter element	A
5	4700372229	1	Hydraulic oil filter element	A

ConstructionParts.com

ConstructionParts.com

888-634-4289



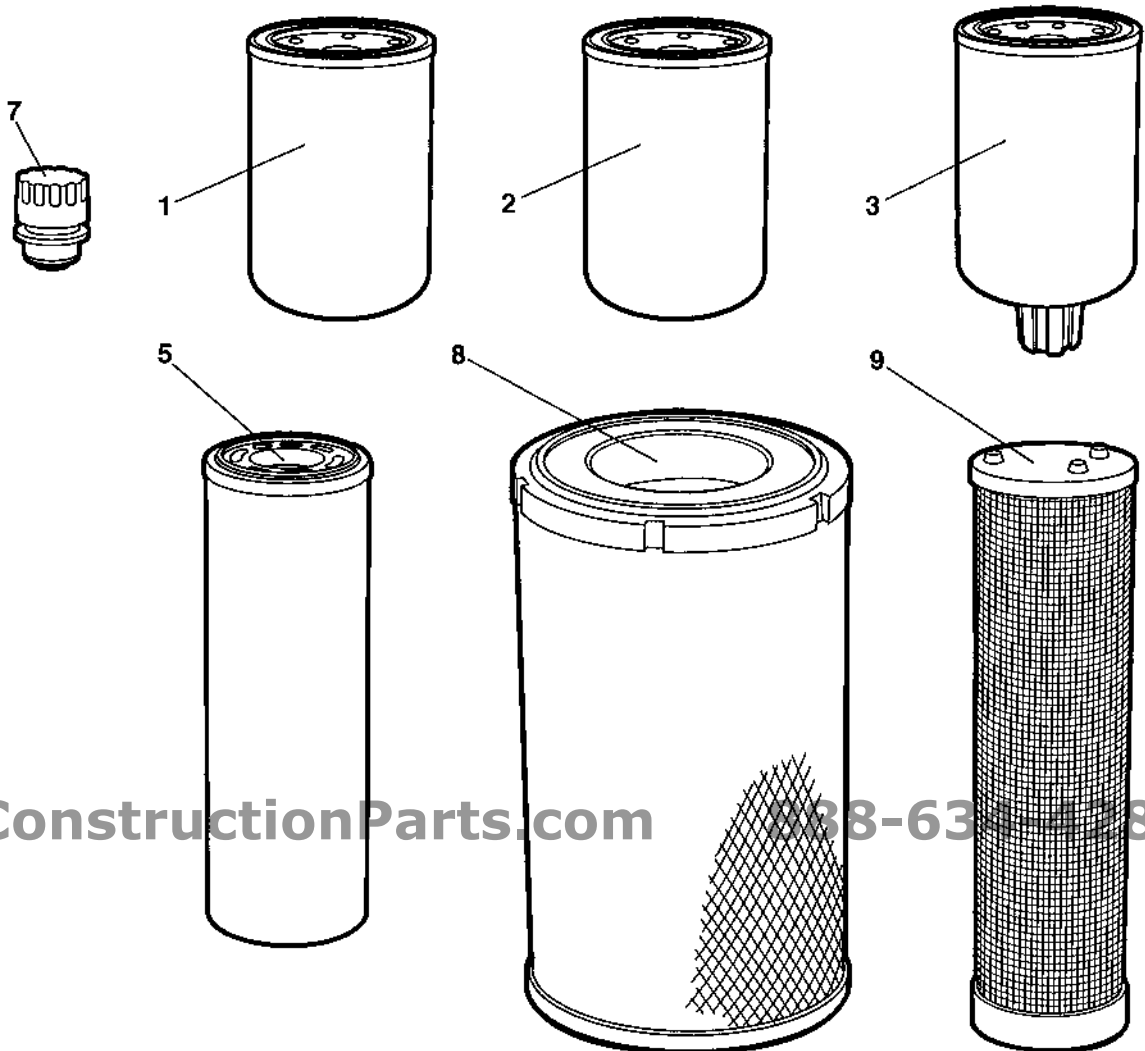
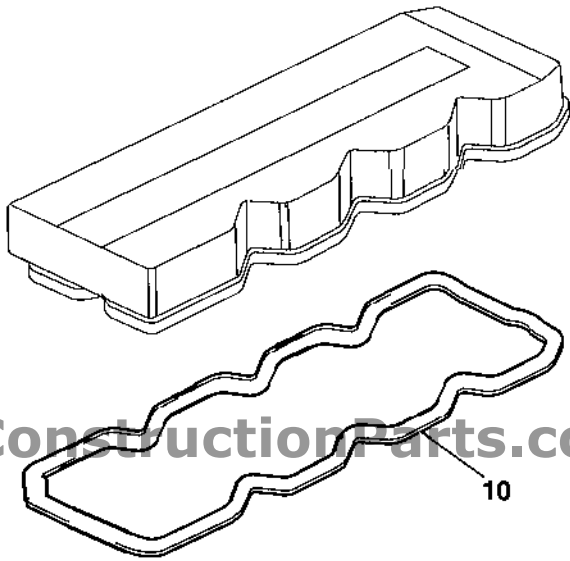
4700945790 Service kit 500 h

Item	Part No	Rem Qty	Description	Code
	4700945790		Service kit 500 h (Page 8)	
1	4700945145	1	Oil filter element	A
2	4700945624	1	Fuel filter element	A
3	4700945147	1	Pre-fuel filter element	A
8	4700908450	1	Air filter element, Main	A

ConstructionParts.com

ConstructionParts.com

888-634-4289



4700945846 Service kit 1000 h

Item	Part No	Rem	Qty	Description	Code
	4700945846			Service kit 1000 h (Page 10)	
1	4700945145		1	Oil filter element	A
2	4700945624		1	Fuel filter element	A
3	4700945147		1	Pre-fuel filter element	A
5	4700372229		1	Hydraulic oil filter element	A
7	4700357138	B	1	Ventilating filter	A
8	4700394686		1	Air filter element, main	A
9	4700394687		1	Air filter element, safety	A
10	4700945760		1	Valve cover gasket	A

B) Ventilated oil filler cap for the hydraulic oil tank

ConstructionParts.com

ConstructionParts.com

888-634-4289

ConstructionParts.com

888-634-4289

ConstructionParts.com

ConstructionParts.com

888-634-4289

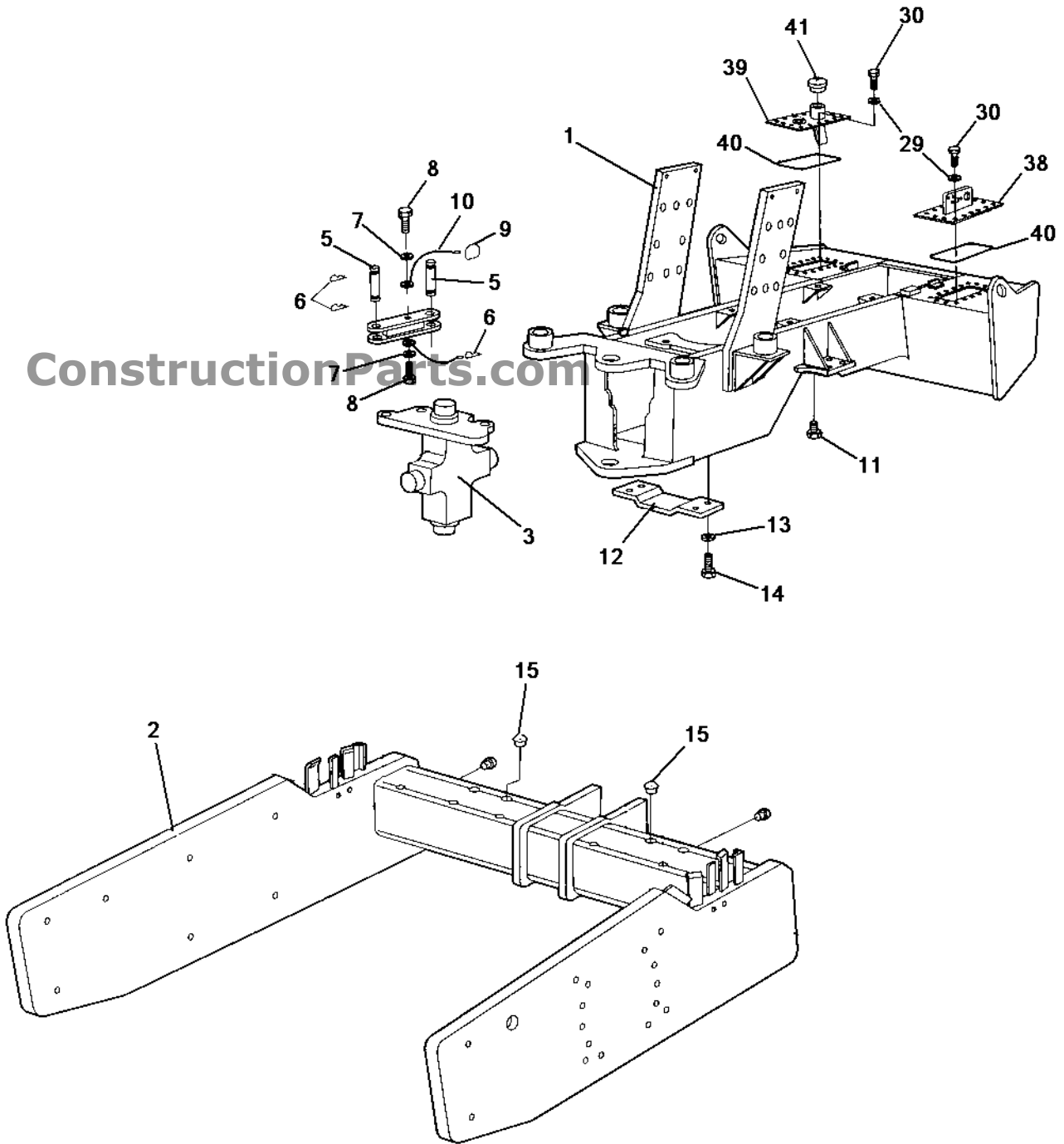
Frame

Item	Part No	Rem Qty	Description	Code
10			Frames (Page 14)	
30			Scraper and beam (Page 16)	
45			Scrapers, Urethan Rubber Option (Page 18)	
55			Scrapers, Spring Steel Option (Page 20)	
60			Hitch (Page 22)	
70			Structure (Page 24)	

ConstructionParts.com

ConstructionParts.com

888-634-4289



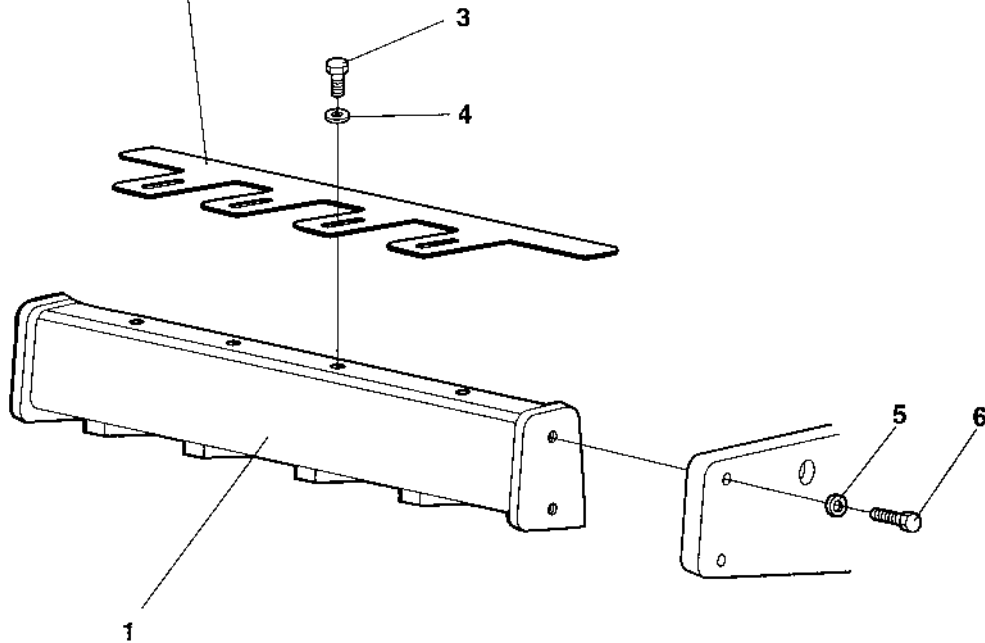
Frames

Item	Part No	Rem Qty	Description	Code
1	4700393052	1	Tractor frame	
2	4700397126	1	Drum frame	
3		1	Hitch	
4	4700374744	1	Safety rod	
5	4700347119	2	Shaft	C
6	4700635061	3	Hair clip	C
7	4700904230	4	.Steel plain washer	
8	4700500043	2	Screw M10x16H 8,8	C
9	4700357488	1	Spring	C
10	4700343775	2	Wire	D
11	4700813391	1	Magnetic plug	D
12	4700372087	1	Protective plate	
13	4700904557	4	Steel plain washer	
14	4700500029	4	Hexagon head screw	C
15	4700902919	6	Plug	
29	4700904229	32	Washer 8,4x16x1,5	
30	4700500188	32	Screw M8-1,25x14 8,8	
38	4700386366	1	Cover	
39	4700397130	1	Cover	
40	4700372709	1	O-ring	D
41	4700373460	1	Fuel cap	D

ConstructionParts.com

888-634-4289

ConstructionParts.com



ConstructionParts.com

888-634-4289

Scraper and beam

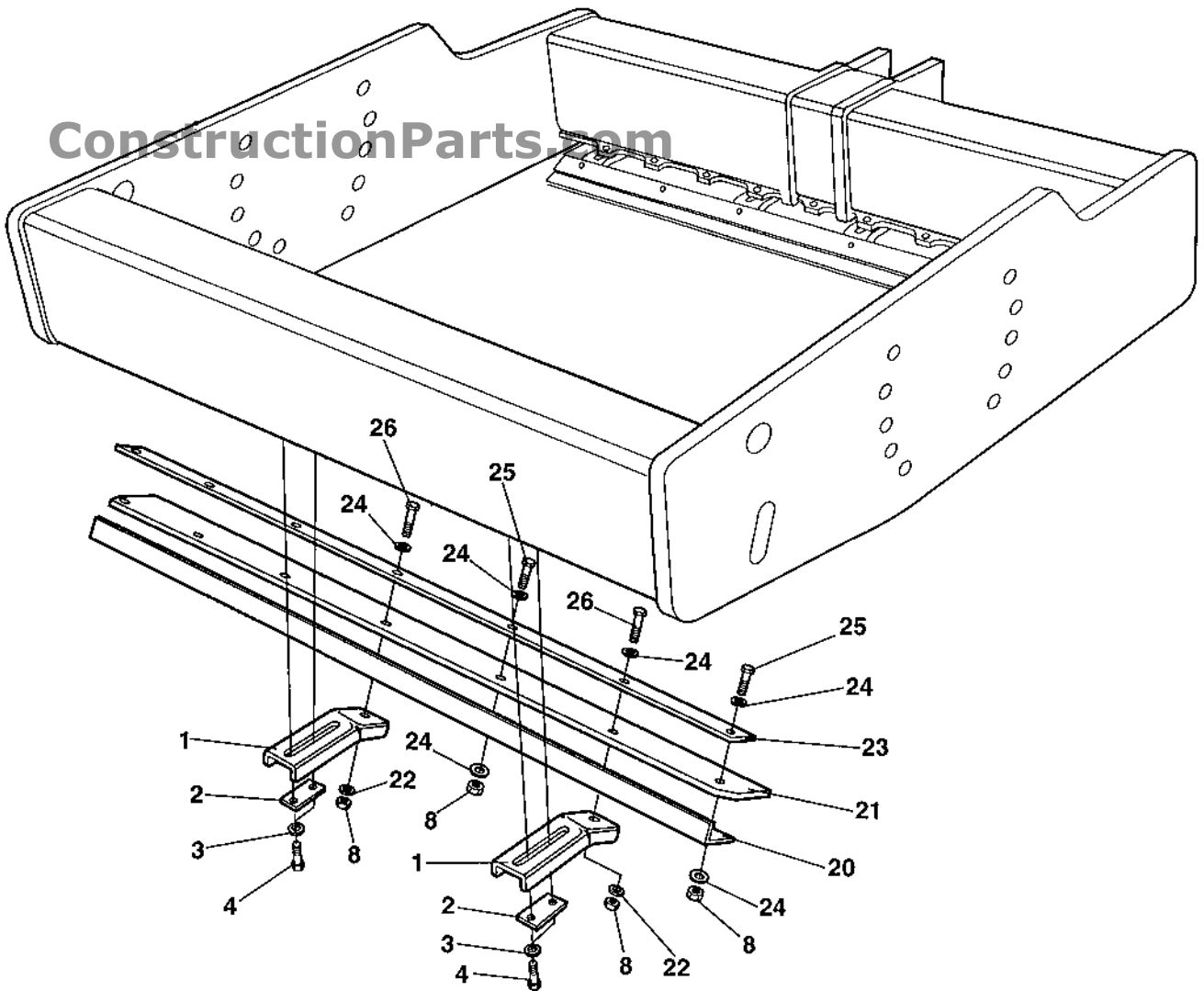
Item	Part No	Rem	Qty	Description	Code
1	4700376667		1	Cross beam	
	4700376652	A	1	Cross beam	
2	4700384048		1	Scraper	
3	4700500102		4	Screw M16x45	
4	4700904558		4	Washer 17X30X6 300HV	
5	4700904234		4	Steel plain washer	C
6	4700903792		4	Screw M24x100 10.9	C

A) Heavy beam, Option

ConstructionParts.com

ConstructionParts.com

888-634-4289



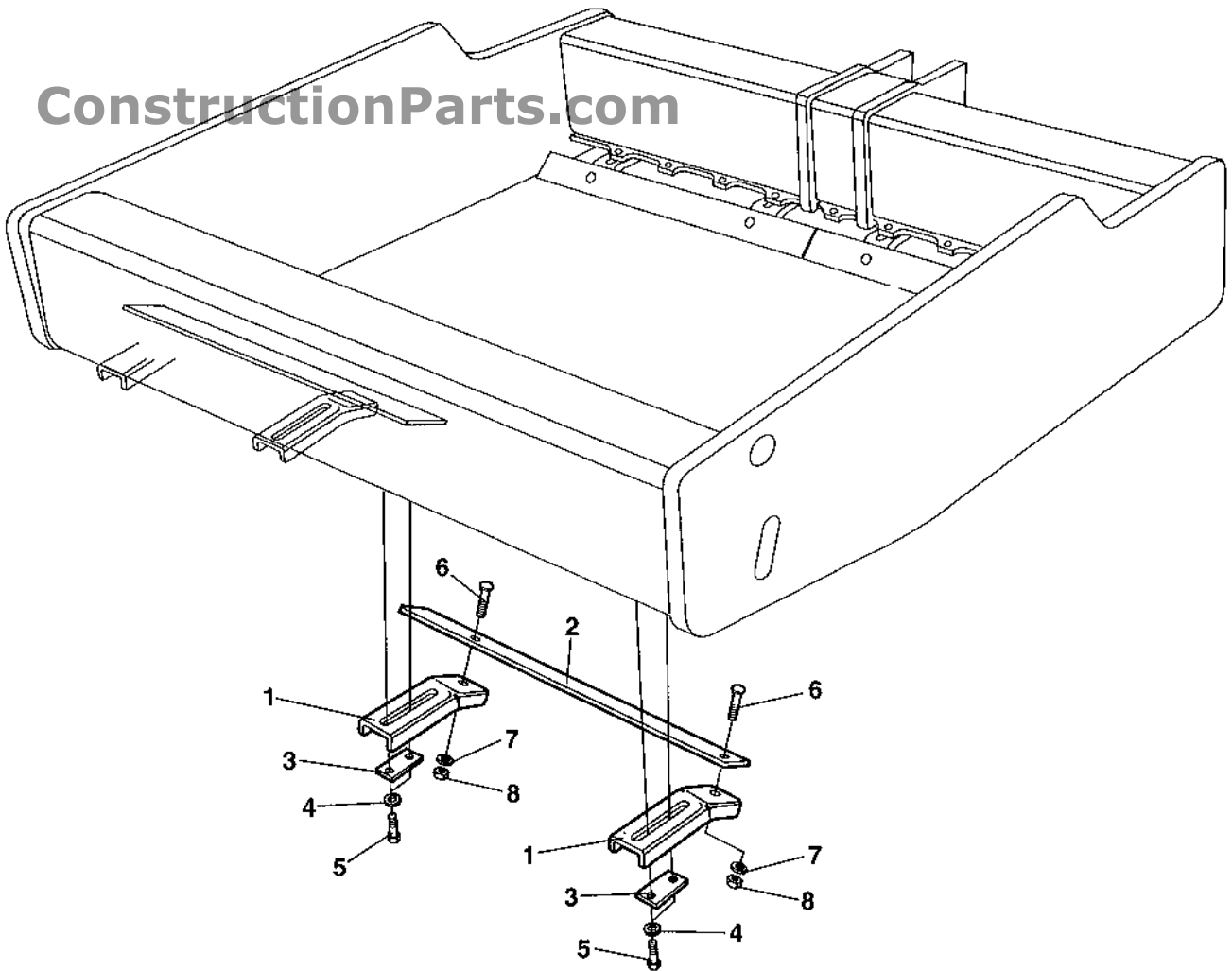
Scrapers, Urethan Rubber Option

Item	Part No	Rem	Qty	Description	Code
1	4700376819	A	8	Scraper bracket	
2	4700376622	A	8	Holder	
3	4700904232		16	Washer	C
4	4700500076		16	Screw M16x55	
8	4700586019		18	Lock nut	
20	4700376825	A	2	Scraper bracket	
21	4700358033	A	2	Scraper blade	A
22	4700904213		8	Washer	C
23	4700376826	A	2	Scraper bracket	
24	4700904231		28	Steel plain washer	
25	4700500056		10	Screw	C
26	4700500049		8	Screw	

A) Mounted on the front and rear of the drum.

ConstructionParts.com

888-634-4289



Scrapers, Spring Steel Option

Item	Part No	Rem	Qty	Description	Code
1	4700376819		8	Scraper bracket	
2	4700376829		4	Scraper	
3	4700376622		8	Holder	
4	4700904232		16	Washer	C
5	4700500076		16	Screw M16x55	
6	4700791948	A	8	Bolt M12x40H 8,8	
7	4700904703		8	Washer	C
8	4700586019		8	Lock nut	

A) Cup square neck bolt.

ConstructionParts.com

888-634-4289

ConstructionParts.com

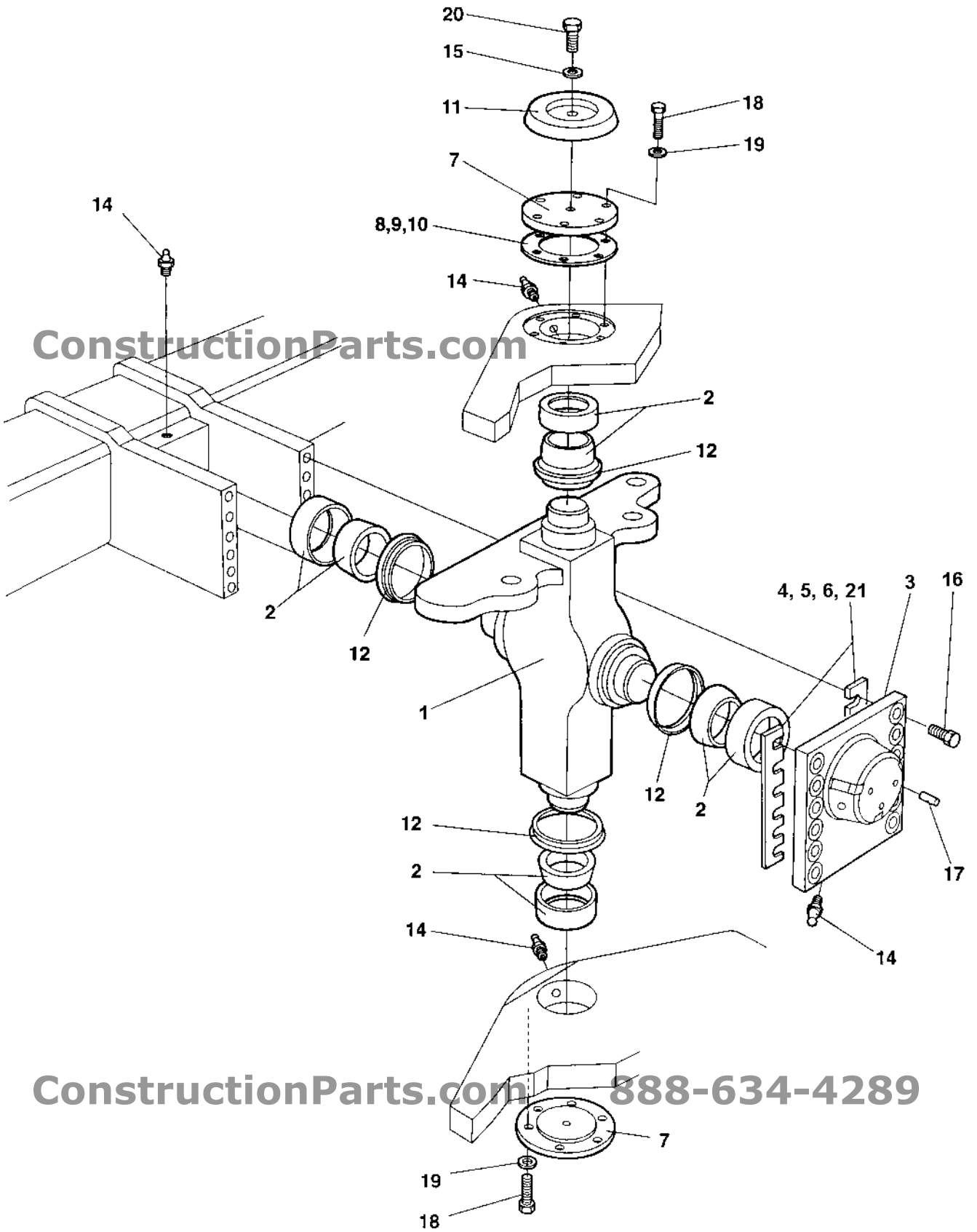
888-634-4289

Hitch

16083

ConstructionParts.com

888-634-4289



ConstructionParts.com

888-634-4289

Hitch

Item	Part No	Rem Qty	Description	Code
1	4700374900	1	Hitch	
2	4700100040	4	Axial ball bearing	B
3	4700373421	1	Bearing cover	
4	4700345871	N	Shim T=1,0 mm	C
5	4700345872	N	Shim T=0,35 mm	C
6	4700345873	N	Shim T=0,10 mm	C
7	4700337042	2	Bearing cover	
8	4700337045	N	Shim T=1,0 mm	C
9	4700345874	N	Shim T=0,35 mm	C
10	4700345875	N	Shim T=0,10 mm	C
11	4700343159	1	Cover	
12	4700167032	4	Lip-type oil seal	C
14	4700926214	4	Grease fitting	C
15	4700904229	1	Washer 8,4x16x1,5	
16	4700500287	12	Screw M20x80 10,9	C
	4700925208	12	Screw M20x90	C
17	4700910995	3	Stop screw	C
18	4700500037	12	Screw	C
19	4700904231	12	Steel plain washer	
20	4700500018	1	Screw M8-1,25x12 8,8	C
21	4700380993	N	Shim T = 2,0 mm	C
	4700384498	N	Shim T = 0,15 mm	C

ConstructionParts.com

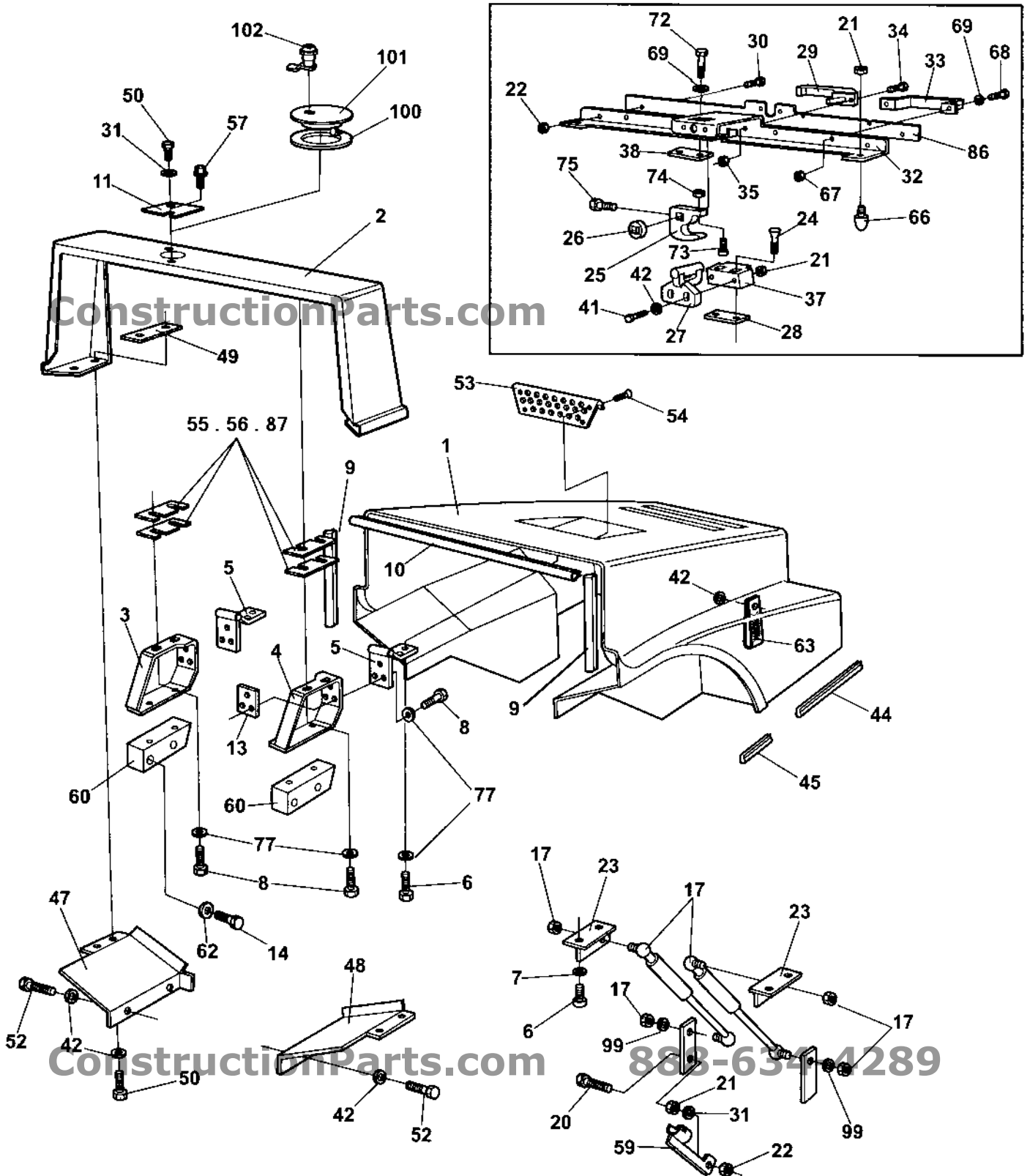
888-634-4289

Structure

18693

ConstructionParts.com

888-634-4289



Structure

Item	Part No	Rem	Qty	Description	Code
			1		C
2	4700385152		1	Protecting cover	
3	4700374797	A	1	Clamp	
4	4700374798	B	1	Clamp	
5	4700371366		2	Hinge	D
6	4700500028		10	Screw	
7	4700904557		10	Steel plain washer	
8	4700500030		7	Hexagon head screw	
9	4700902166	C	2XL	Edge trim	D
10	4700902166	D	1XL	Edge trim	D
11	4700373955		1	Cover	
13	4700374799		1	Holder plate	
14	4700500133		4	Screw	C
17	4700382384		2	Gas spring	D
	4700382387	R	2	Gas spring	
20	4700904241		1	Screw	C
21	4700570005		5	Nut M8	C
22	4700902286		3	Hexagon lock nut with flange	C
23	4700372608		2	Bracket	
24	4700903732		2	Screw	
25	4700382130		1	Hook	
26	4700382335		1	Spacer sleeve	
27	4700382131		1	Lock clamp	
28	4700380109		1	Holder	
29	4700382165		1	Locking handle	
	4700902866		1	.Key Marked "455"	A
30	4700927637		2	Hexagon socket countersunk screw	
31	4700904556		2	Washer 8,4x16x3,0	
32	4700382129		1	Holder plate	
33	4700904874		1	Grab handle	D
34	4700535011		2	Screw	
35	4700902284		2	Nut M5	C
37	4700382132		1	Holder	
38	4700382336		1	Holder	
41	4700500026		2	Screw M8-1,25x60 8,8	
42	4700904640		11	Washer 8,4x22x3	
44	4700902166	G	2XL	Edge trim	D
45	4700902166	H	2XL	Edge trim	D
47	4700373204	I	1	Holder plate	
48	4700373203	J	1	Holder plate	
49	4700373309		2	Holder plate	
50	4700500021		5	Screw M8-1,25x25 8.8	
52	4700500019		4	Screw M8x16H 8.8 A2K	C
53	4700372575		1	Grid	
54	4700901767		4	Screw ST3,5x9,5 Black	
55	4700373956	N		Shim	
56	4700373957	N		Shim	
57	4700500505		1	Screw M8x20 8.8	

1) Hood cpl. with Gas springs, Lock, Edge trims, Hinges and Grids.

A) Right

B) Left

C) L = 0.940 m

D) L = 0.630 m

G) L = 0.340 m

H) L = 0.040 m

I) Right side

J) Left side

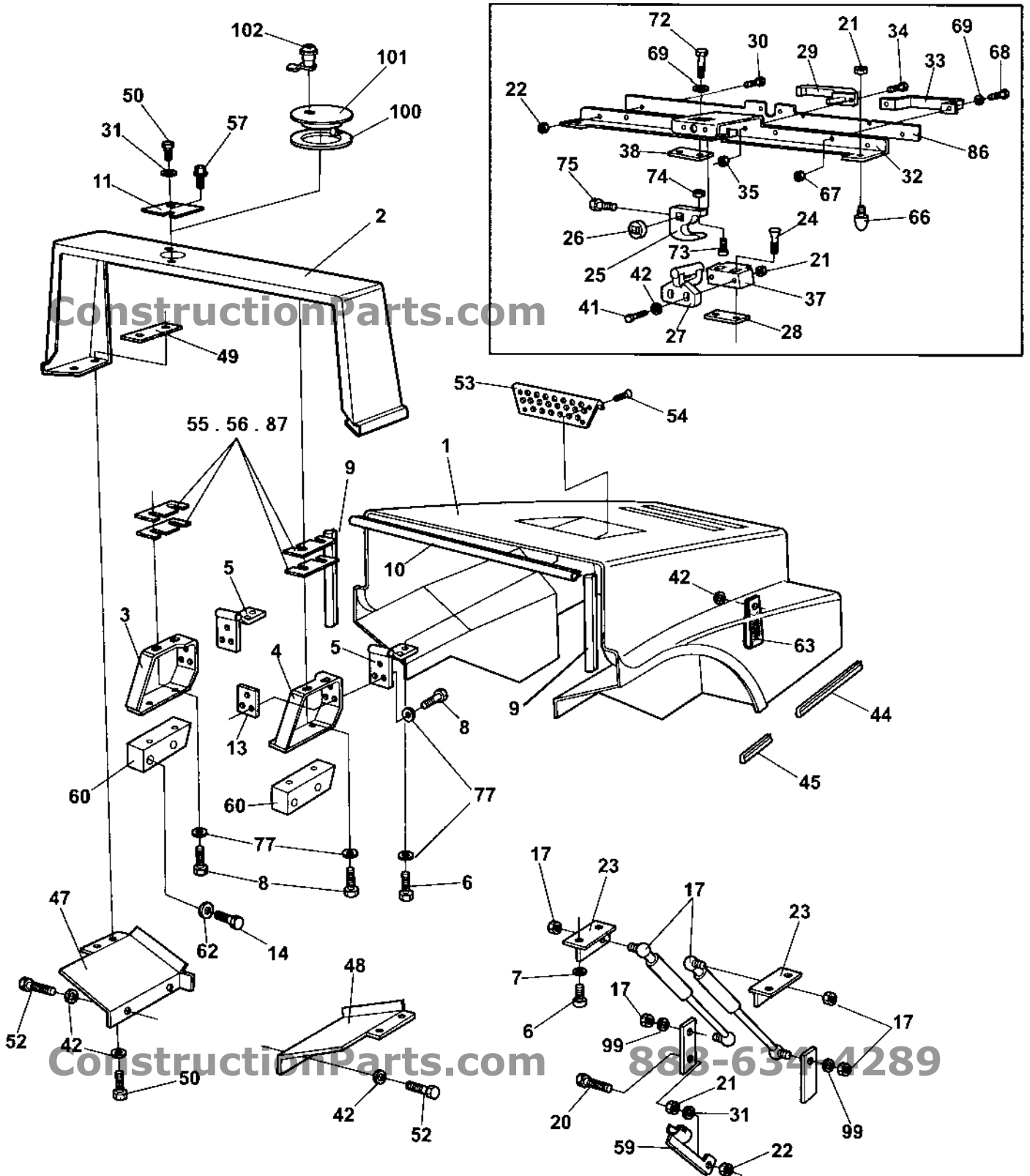
R) With noise suppression mounted, Option

Structure

18693

ConstructionParts.com

888-634-4289



Structure

Item	Part No	Rem	Qty	Description	Code
59	4700382382		1	Safety rod	
60	4700381989		2	Holder	
62	4700904231		4	Steel plain washer	
63	4700374854		1	Grab handle	
66	4700925629		2	Shock absorber	
67	4700902285		2	Nut	C
68	4700500088		2	Screw M6x40	
69	4700904228		4	Washer 6,4x12x1,5	
72	4700500013		2	Screw M6-1x16 8,8	C
73	4700500040		1	Screw M6-1x20 8,8	C
74	4700570004		1	Nut M6X1,00 -8 A2K	
75	4700500018		1	Screw M8-1,25x12 8,8	C
77	4700904567		7	Washer 10,5x28x6 HB305	C
86	4700395119		1	Spacer	
87	4812110773		N	Shim	
99	4700904230		2	Steel plain washer	
100	4700375681	K	1	Gasket	
101	4700375678	K	1	Cover	
102	4700372658	K	1	Lock	D
	4700902866		1	.Key Marked "455"	A

K) Option

ConstructionParts.com

888-634-4289

ConstructionParts.com

888-634-4289

ConstructionParts.com

ConstructionParts.com

888-634-4289

Drum

Item	Part No	Rem Qty	Description	Code
10			Drum (Page 30)	
40	4700380462		Drum gear (Page 34)	C
41	4700372987		Drum gear (Page 36)	C

ConstructionParts.com

ConstructionParts.com

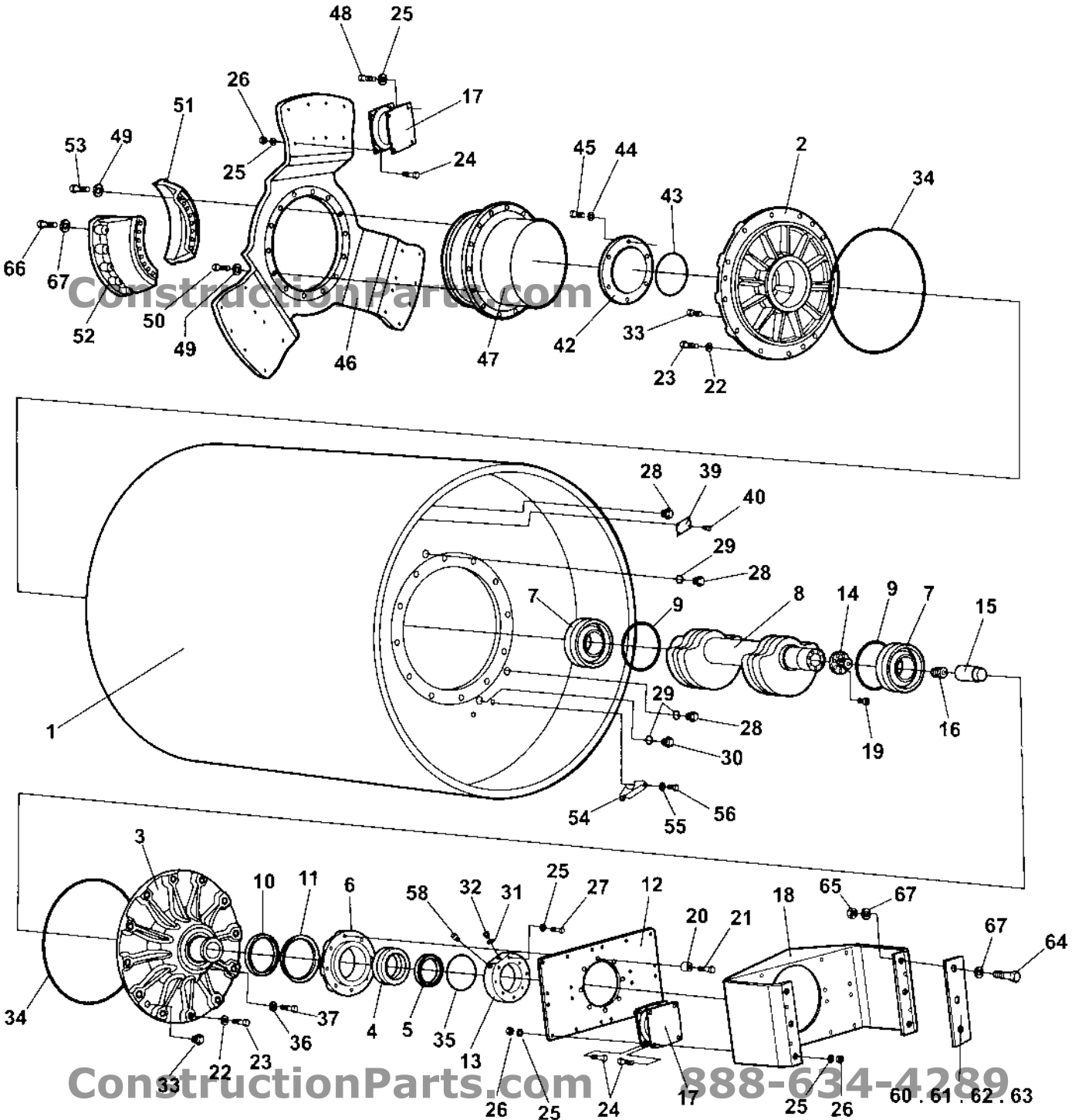
888-634-4289

Drum

18803

ConstructionParts.com

888-634-4289



Drum

Item	Part No	Rem	Qty	Description	Code
1	4700392822		1	Drum	
2	4700389063		1	Bearing housing	
3	4700391206		1	Bearing housing	
4	4700116041		1	Taper roller bearing	B
5	4700390897		1	Shaft nut	C
6	4700343318		1	Bearing housing	D
7	4700388089		2	Bearing	
8	4700391194		1	Eccentric shaft	
9	4700791927		2	Retaining ring	
10	4700167023		1	Seal ring	B
11	4700929447		1	V-ring	B
12	4700343322		1	Holder plate	
13	4812110860		1	Motor adapter	
14	4700380018		1	Splined shaft	
15	4700381027		1	Splined sleeve	C
16	4700349715		1	Spring	C
17	4700801187		10	Shock absorber	B
18	4700396030		1	Bracket	
19	4700791156		8	Screw M10-1,5x55 12,9	
20	4700384114		8	Spacer	
21	4700500082		8	Screw M16x70 8,8	
22	4700904232		24	Washer	C
23	4700500165		24	Screw M16-2,0x75 8,8	
24	4700500194		56	Screw	C
25	4700904231		84	Steel plain washer	
26	4700570007		56	Hexagon nut M12	
27	4700500196		4	Screw M12-1,75x80 8.8	C
28	4700232210		3	Plug	
29	4700162017		3	Seal ring	B
30	4700343744		1	Magnetic plug	C
31	4700162018		1	Sealing	B
32	4700370231		1	Plug	C
33	4700900775		6	Plug	C
34	4700904737		2	O-ring	D
35	4700160105		1	O-ring 70	C
36	4700230277		3	Copper washer 12,2x17,9x1,5	
37	4700904177		3	Screw	
39	4700343801		1	Sign plate	D
40	4700527002		4	Drive screw	C
42	4700383783		1	Bearing cover	
43	4700160358		1	O-ring	D
44	4700904230		6	Steel plain washer	
45	4700500029		6	Hexagon head screw	C
46	4700396142		1	Drive disc	
47	4700380462		1	Drum gear (Page 34)	C
48	4700500051		24	Screw M12x25H 8.8 A3K	C
49	4700904233		32	Steel plain washer	
50	4700903281		16	Screw	
51	4700373442	A	1	Gear holder	
52	4700373443	B	1	Gear holder	
53	4700903919		16	Screw	
54	4700359955		1	Drop plate	
55	4700904229		2	Washer 8,4x16x1,5	
56	4700500019		2	Screw M8x16H 8.8 A2K	C
58	4700926736		1	Breather	C
60	4700393276	N		Shim T = 1,5 mm	
61	4700393277	N		Shim T = 3 mm	
62	4700393278	N		Shim T = 6 mm	

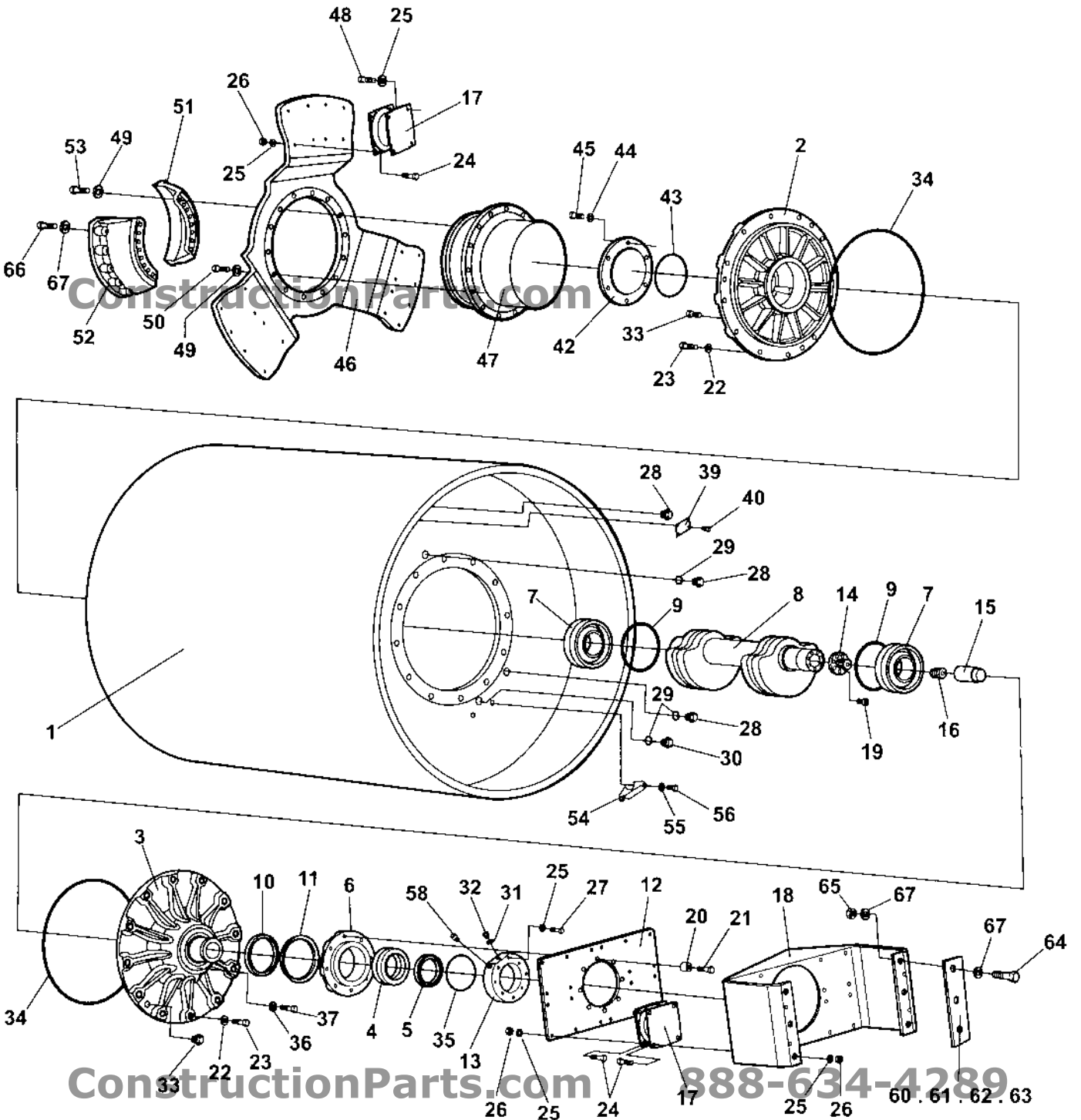
A) Right
B) Left

Drum

18803

ConstructionParts.com

888-634-4289



Drum

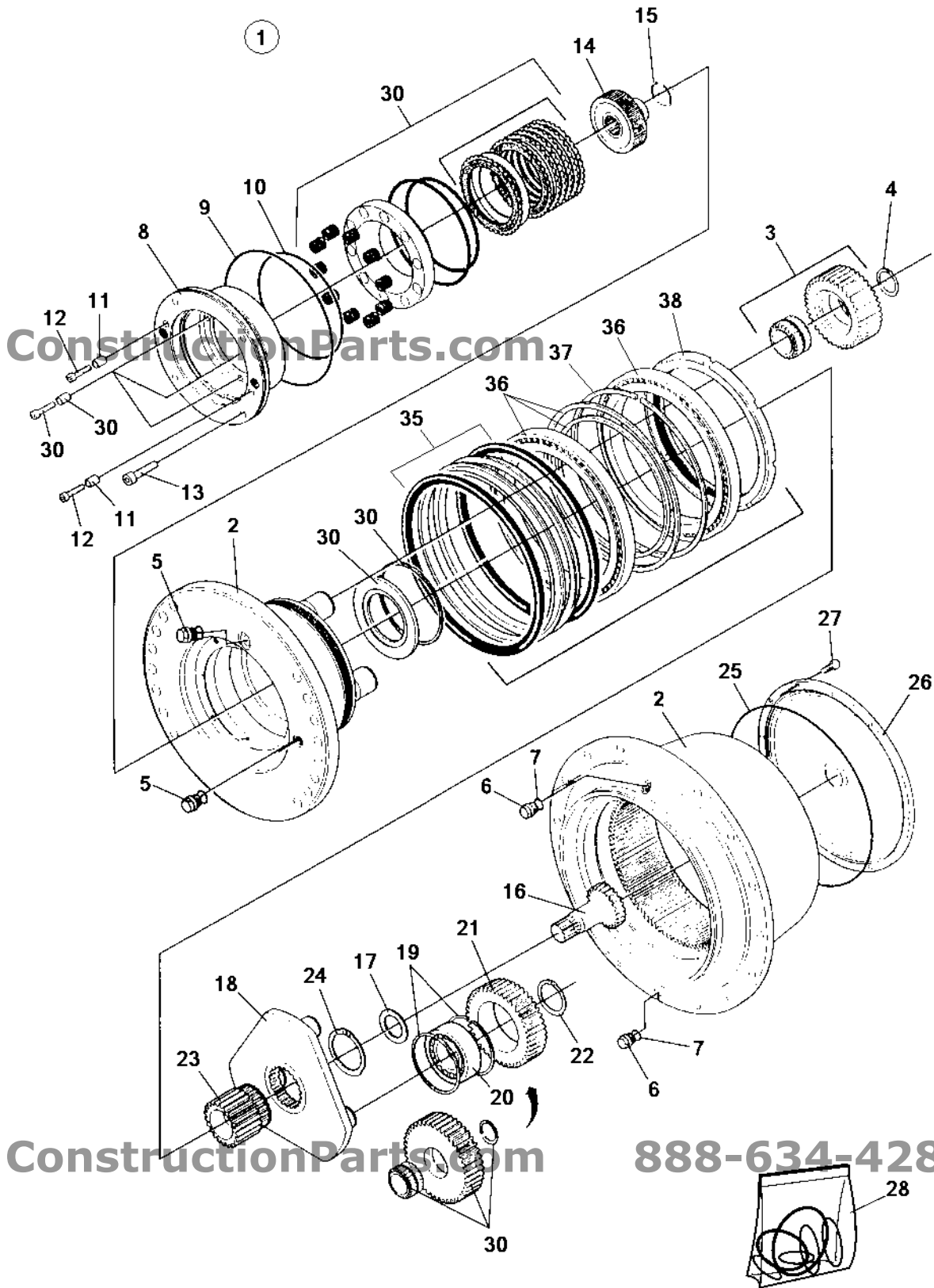
Item	Part No	Rem	Qty	Description	Code
63	4700393279	N		Shim T = 8 mm	
64	4700903792	6		Screw M24x100 10.9	C
65	4700792464	6		Nut M24 -10 DIN985	
66	4700928231	10		Screw M24X80 10.9	
67	4700904234	22		Steel plain washer	C

ConstructionParts.com

888-634-4289

ConstructionParts.com

888-634-4289



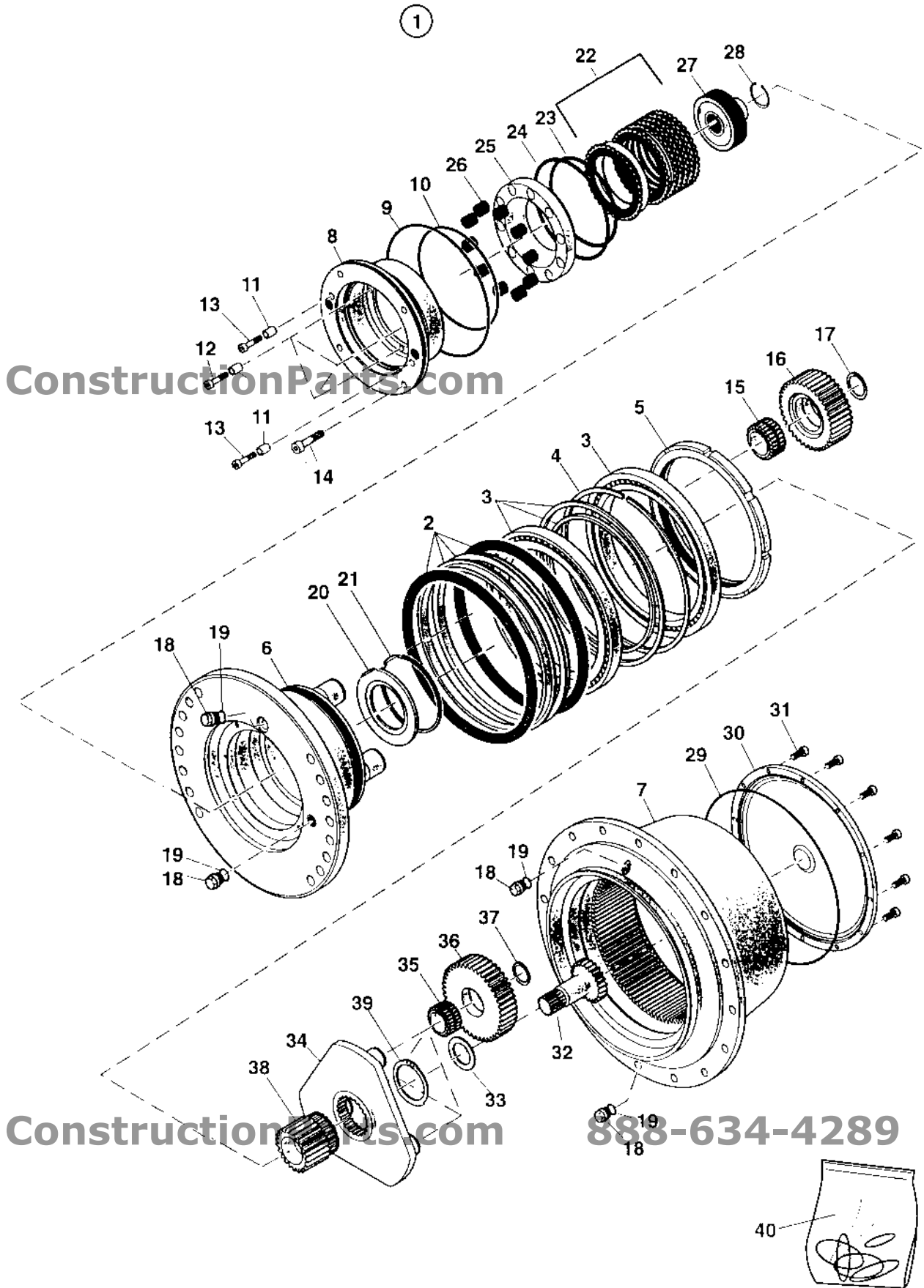
4700380462 Drum gear

Item	Part No	Rem	Qty	Description	Code
1			1	Drum gear, cpl	C
2			1	.Hub	C
3			3	.Planet gear	C
4			3	.Retaining ring	C
5	4700935394		2	.Plug	
6			2	.Plug	
7	4700935395		4	.Seal ring	
8	4700935865		1	.Adapter	
9	4700935866		1	.O-ring	
10	4700935867		1	.O-ring	
11	4700935868		2	.Bushing	
12	4700935870		2	.Screw	
13	4700902944		4	.Screw	
14	4700935874		1	.Coupling	
15	4700935875	A	1	.Retaining ring	
16	4700935876		1	.Sun wheel	
17	4700935877		1	.Spacer	
18			1	.Planet carrier	
19			6	.Retaining ring	
20	4812155788		3	.Roller bearing	
21			3	.Planet gear	
22	4700935881		3	.Retaining ring	
23	4700935882		1	.Sun wheel	
24	4700935883		1	.Retaining ring	
25	4700935413		1	.O-ring	
26	4700935414		1	.Cover	
27			12	.Screw	
28	4700945581		1	.Seal kit	
30				Not used on this model	
35	4700935859		1	.Seal	
36			2	.Roller bearing	
37			1	.Spring ring	
38	4700935862		1	.Nut	

A) Only used with Single speed Propulsion motor.

ConstructionParts.com

888-634-4289



4700372987 Drum gear

Item	Part No	Rem	Qty	Description	Code
1			1	Drum gear, cpl	
2	4700935859		1	.Seal	
3	4700935860		1	.Roller bearing	
4	4700935861		1	.Spring ring	
5	4700935862		1	.Nut	
6	4700935863		1	.Hub	
7	4700935864		1	.Hollow wheel	
8	4700935865		1	.Adapter	
9	4700935866	A	1	.O-ring	
10	4700935867	A	1	.O-ring	
11	4700935868		5	.Bushing	
12	4700935869		3	.Screw	
13	4700935870		2	.Screw	
14	4700935871		4	.Screw	
15	4700935872		4	.Roller bearing	
16	4700935873		4	.Planet gear	
17	4700935421		4	.Retaining ring	
18	4700935394		4	.Plug	
19	4700935395	A	4	.Seal ring	
20	4700935398		1	.Plate	
21	4700935399		1	.Spring ring	
22	4700935400		1	.Brake disc kit	
23	4700935401	A	1	.O-ring	
24	4700935402	A	1	.O-ring	
25	4700935403		1	.Piston	
26	4700935404		10	.Spring	
27	4700935874		1	.Coupling	
28	4700935875	B	1	.Retaining ring	
29	4700935413	A	1	.O-ring	
30	4700935414		1	.Cover	
31	4700935415		12	.Screw	
32	4700935876		1	.Sun wheel	
33	4700935877		1	.Spacer	
34	4700935878		1	.Planet carrier	
35	4700935879		3	.Roller bearing	
36	4700935880		3	.Planet gear	
37	4700935881		3	.Retaining ring	
38	4700935882		1	.Sun wheel	
39	4700935883		1	.Retaining ring	
40	4700935380		1	Seal kit	

A) Incl. in item 40

B) Only used with Single speed Propulsion motor.

ConstructionParts.com**888-634-4289**

ConstructionParts.com

888-634-4289

ConstructionParts.com

ConstructionParts.com

888-634-4289

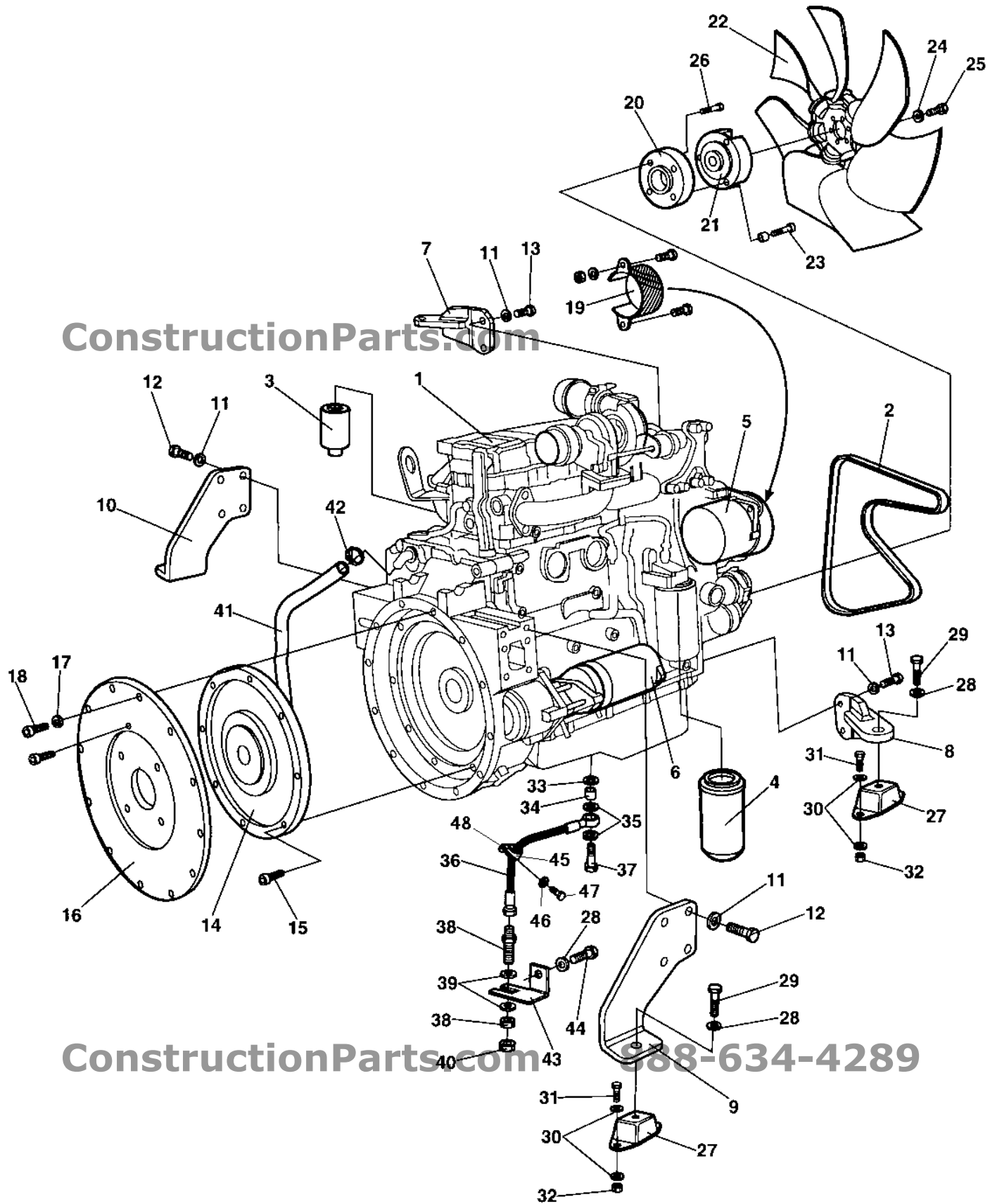
Engine

Item	Part No	Rem Qty	Description	Code
10			Engine Cummins QSB 4.5 C (Page 40)	
20			Cooling system (Page 42)	
30			Combustion air system (Page 46)	
40			Fuel system (Page 48)	
50			Exhaust system (Page 50)	

ConstructionParts.com

ConstructionParts.com

888-634-4289



Engine Cummins QSB 4.5 C

Item	Part No	Rem Qty	Description	Code
1	4700391663	1	Diesel engine Cummins QSB 4,5	
2	4700945731	1	.V-belt	B
3	4700945624	1	.Fuel filter element	A
4	4700945145	1	.Oil filter element	A
5	4700945140	1	.Alternator	C
6	4700945730	1	.Starter	C
7	4700392283	1	Engine bracket, Right	
8	4700392284	1	Engine bracket, Left	
9	4700393022	1	Engine bracket, Left	
10	4700393021	1	Engine bracket, Right	
11	4700904638	12	Washer 12x22x2	
12	4700508079	8	Screw M12-1,75x35H 8,8	
13	4700500194	4	Screw	C
14	4700370229	1	Coupling, cpl	
15	4700509025	8	Screw 3/8-16UNCx32 8,8	
16	4700372772	1	Bracket	
17	4700904637	12	Washer	C
18	4700508029	12	Screw M10-1,5x30H 8,8	C
19	4700379163	1	V-belt cover	
20	4700393096	1	Connector	
21	4700382393	1	Fan hub	
22	4700379164	1	Fan	
23	4700792081	3	Socket head cap screw M12x50 10,9	
24	4700904229	6	Washer 8,4x16x1,5	
25	4700500047	6	Hexagon head screw	C
26	4700792275	4	Socket head cap screw 7/16-20UNFX32 12.9	
27	4700387129	4	Shock absorber	D
28	4700904232	5	Washer	C
29	4700500070	4	Screw M16x50	C
30	4700904703	16	Washer	C
31	4700500194	8	Screw	C
32	4700586019	8	Lock nut	
33	4700330333	1	Copper washer	D
34	4700379480	1	Reducer	
35	4700330331	2	Washer 18,2x23,9x1,5	C
36	4700379621	1	Hydraulic hose	
37	4700904292	1	Hollow screw	
38	4700230515	1	Connector	C
39	4700904233	2	Steel plain washer	
40	4700330383	1	Cap hydraulic	
41	4700791468	1	Hydraulic hose	
42	4700313035	1	Hose clamp	
43	4700388855	1	Bracket	
44	4700500154	1	Screw M16-2,0x25 8,8	
45	4700921028	1	Clamp	C
46	4700904228	1	Washer 6,4x12x1,5	
47	4700192812	1	Screw M6x1x20 10.9	
48	4700902285	1	Nut	C

ConstructionParts.com

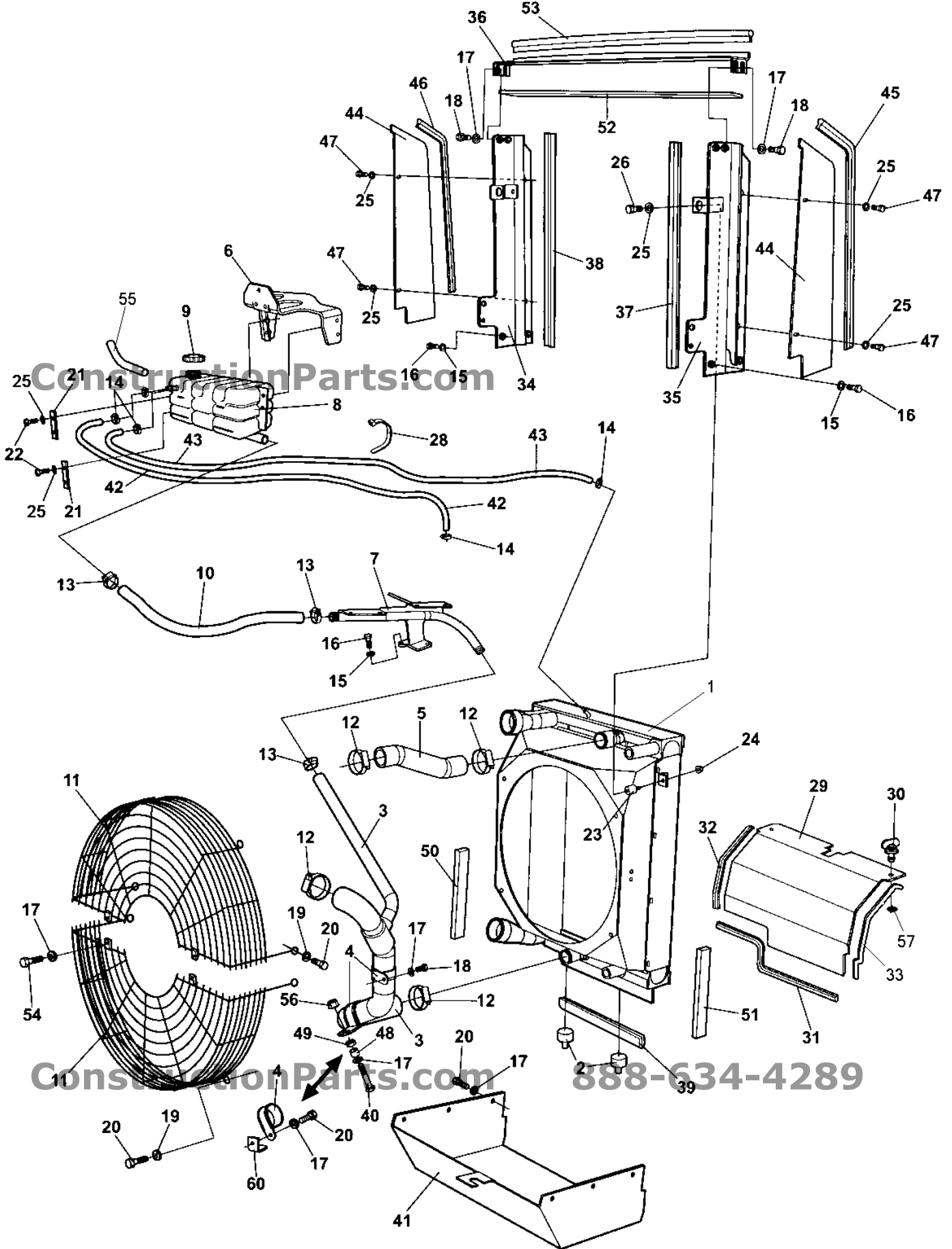
888-634-4289

Cooling system

18434-2

ConstructionParts.com

888-634-4289



Cooling system

Item	Part No	Rem	Qty	Description	Code
1	4700392220		1	Radiator	
	4812155659		1	.Air cooler	
	4812155660		1	.Water cooler	
	4812155661		1	.Oil cooler	
2	4700904551		2	Shock absorber	
3	4700393081		1	Coolant hose	
4	4700904352		2	Clamp	
5	4700392297		1	Coolant hose	
6	4700392170		1	Holder	
7	4700393062		1	Holder	
8	4700392313		1	Expansion tank	
9	4700903714		1	Cap	
10	4700205027	A	1XL	Coolant hose	
11	4700387085		2	Fan guard	
12	4700313010		4	Hose clamp	C
13	4700313006		3	Hose clamp	
14	4700313075		4	Hose clamp	C
15	4700904230		7	Steel plain washer	
16	4700500028		7	Screw	
17	4700904229		16	Washer 8,4x16x1,5	
18	4700500019		5	Screw M8x16H 8.8 A2K	C
19	4700904640		8	Washer 8,4x22x3	
20	4700500053		15	Screw M8x20H 8.8	C
21	4700381413		2	Washer	
22	4700500075		4	Screw M6-1,0x25 8.8	
23	4700371774		2	Shock absorber	
24	4700902285		2	Nut	C
25	4700904228		10	Washer 6,4x12x1,5	
26	4700500012		2	Screw M6x12	C
28	4700313102		N	Cable ties	
29	4700386853		1	Air inlet plate	
30	4700904486		2	Quick lock	
31	4700902166	B	1XL	Edge trim	D
32	4700902166	C	1XL	Edge trim	D
33	4700902166	D	1XL	Edge trim	D
34	4700392714		1	Cooler frame, right	
35	4700392715		1	Cooler frame, left	
36	4700393361		1	Cooler frame, top	
37	4700904076	E	1XL	Edge trim	D
38	4700904076	F	1XL	Edge trim	D
39	4700902166	G	1XL	Edge trim	D
40	4700500025		1	Screw M8-1,25x50 8,8	C
41	4700386943		1	Air leading plate	
42	4700246069	H	1XL	Fuel hose 3/8"	
43	4700246069	I	1XL	Fuel hose 3/8"	
44	4700393362		2	Air inlet	

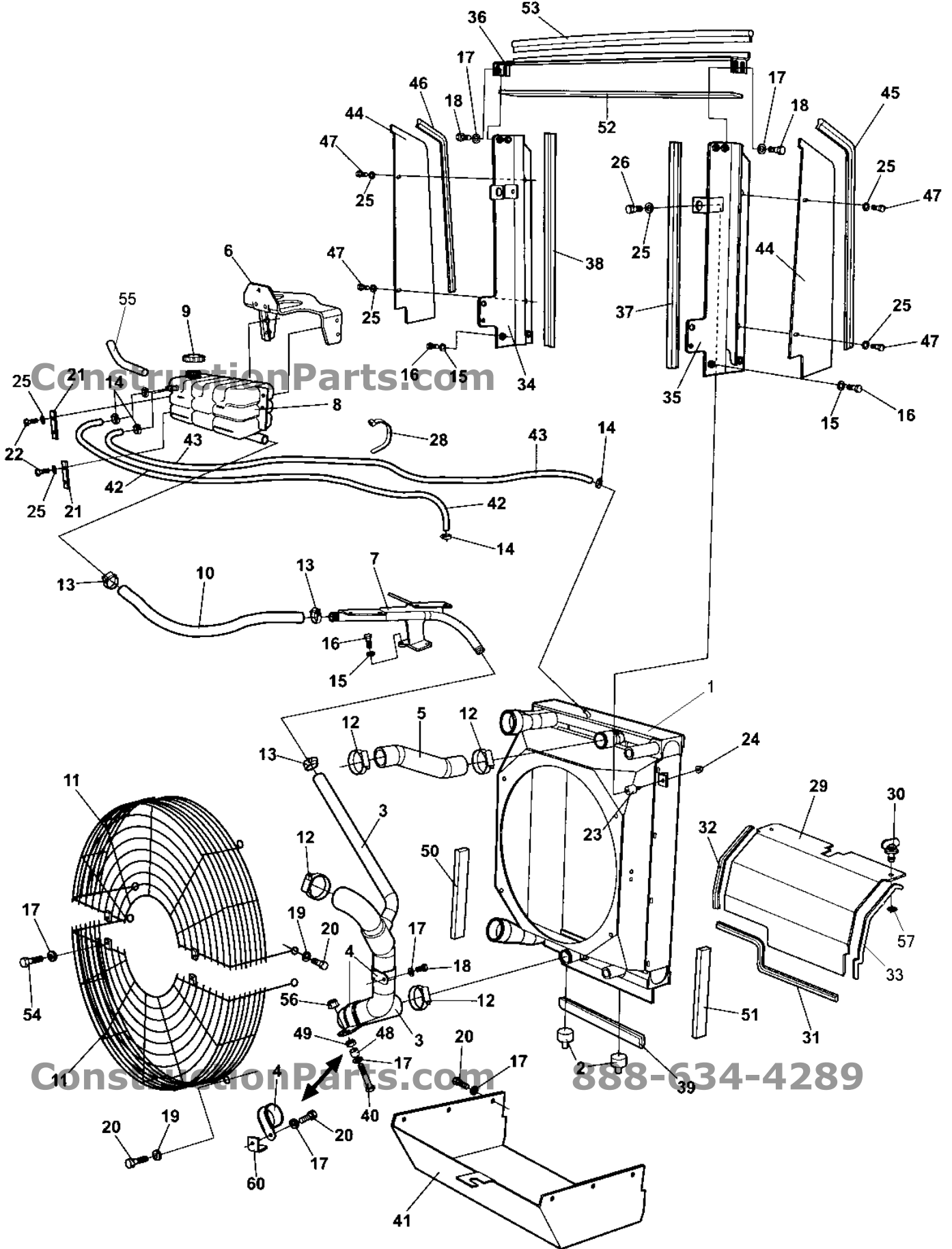
- A) L=0,600M
- B) L=0,690M
- C) L=0,330M
- D) L=0,450M
- E) L=0,500M
- F) L=0,500M
- G) L=0,470M
- H) L=1,500M
- I) L=1,780M

Cooling system

18434-2

ConstructionParts.com

888-634-4289



Cooling system

Item	Part No	Rem	Qty	Description	Code
45	4700902166	J	1XL	Edge trim	D
46	4700902166	K	1XL	Edge trim	D
47	4700500040		4	Screw M6-1x20 8,8	C
48	4700371767		1	Spacer	C
49	4700570005		1	Nut M8	C
50	4700791597	L	1XL	Rubber strip	
51	4700791597	L	1XL	Rubber strip	
52	4700791597	M	1XL	Rubber strip	
53	4700902166	M	1XL	Edge trim	D
54	4700500018		2	Screw M8-1,25x12 8,8	C
55	4700904623	N	1	Hose guard L=200	
56	4700902286		1	Hexagon lock nut with flange	C
57	4700926985		2	Quick lock washer	C
60	4700908136		1	Bracket	

J) L=0,610M

K) L=0,610M

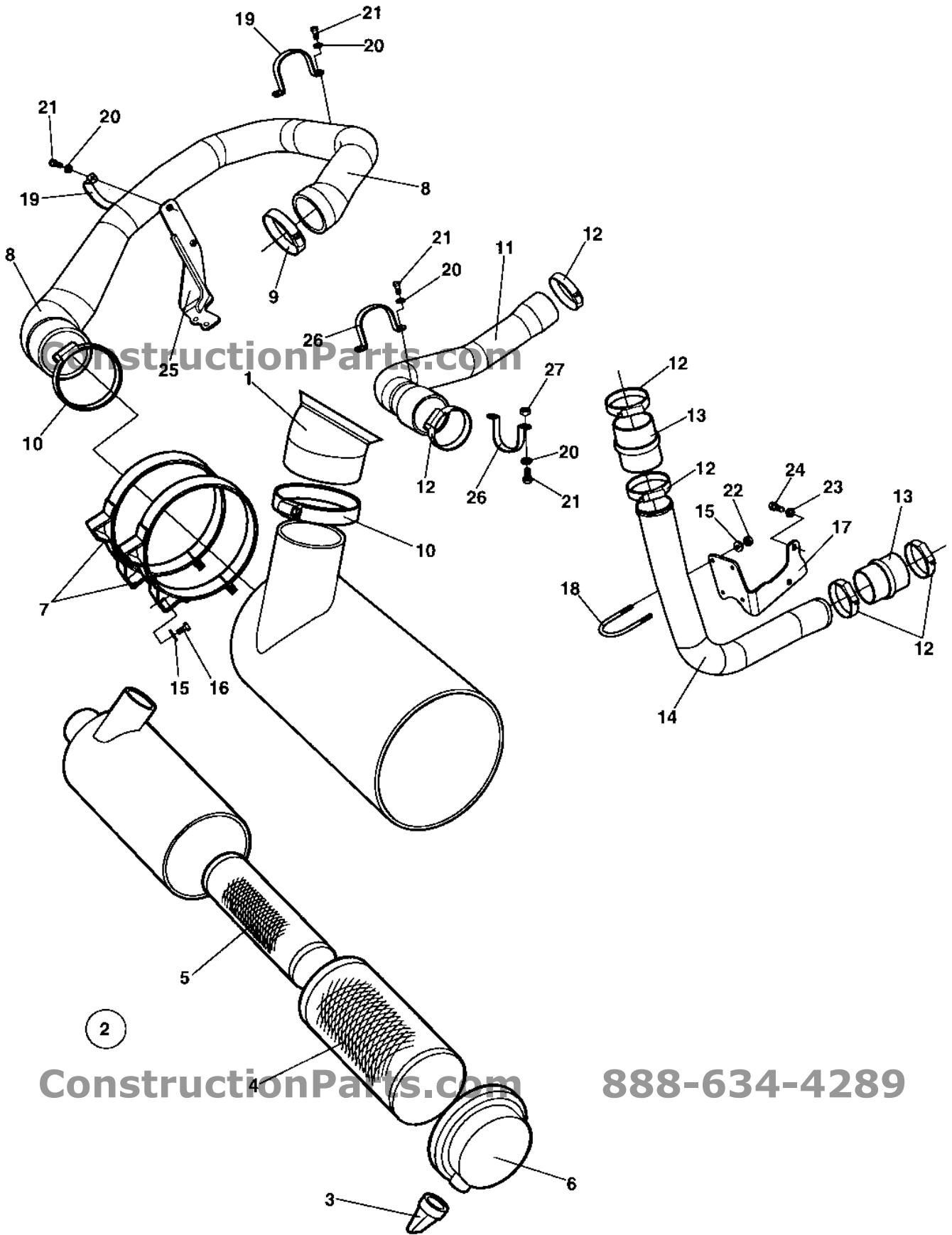
L) L=0,310M

M) L=0,730M

N) L=0,200M

ConstructionParts.com

888-634-4289



Combustion air system

Item	Part No	Rem	Qty	Description	Code
1	4700393089	1	1	Air inlet hose	
2	4700394680	1	1	Air cleaner Cpl	
3	4700908399	1	1	.Vacuator valve	C
4	4700394686	1	1	.Air filter element, main	A
5	4700394687	1	1	.Air filter element, safety	A
6	4700908452	1	1	.Cover	
7	4700813791	2	2	Mounting band	D
8	4700393086	1	1	Air inlet hose	
9	4700392810	1	1	Hose clamp	
10	4700389600	2	2	Hose clamp	
11	4700393045	1	1	Charge air hose	
12	4700386966	6	6	Hose clamp 2.3/4"-3.5/8"	
13	4700385691	2	2	Air intake hose	
14	4700393058	1	1	Charge air tube	
15	4700904229	8	8	Washer 8,4x16x1,5	
16	4700500019	4	4	Screw M8x16H 8.8 A2K	C
17	4700393059	1	1	Holder	
18	4700313093	2	2	Pipe clamp	C
19	4700392742	2	2	Clamp	
20	4700904228	8	8	Washer 6,4x12x1,5	
21	4700500040	8	8	Screw M6-1x20 8,8	C
22	4700586003	4	4	Lock nut M8	C
23	4700904231	2	2	Steel plain washer	
24	4700500046	2	2	Screw M12x025H	C
25	4700392741	1	1	Holder	
26	4700393097	2	2	Clamp	
27	4700902285	2	2	Nut	C

ConstructionParts.com

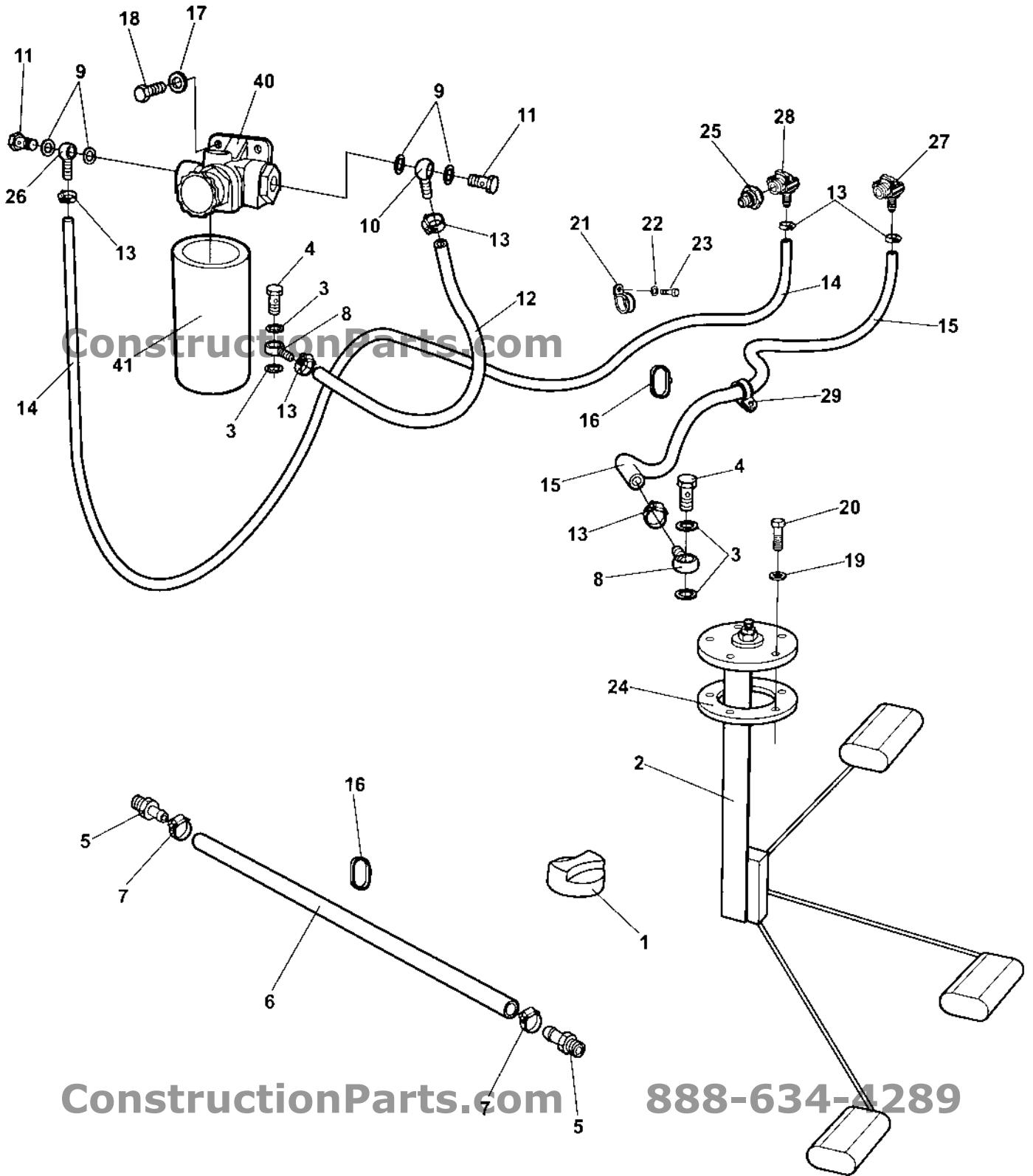
888-634-4289

Fuel system

18986

ConstructionParts.com

888-634-4289



ConstructionParts.com

888-634-4289

Fuel system

Item	Part No	Rem	Qty	Description	Code
1	4700373460		1	Fuel cap	D
2	4700904695		1	Fuel level sender	D
3	4700747282		4	Copper washer	
4	4700330171		2	Hollow screw	C
5	4700373574		2	Hose connection	
6	4700244054	A	1XL	Hose reinforced	C
7	4700313002		2	Hose clamp 13-20 mm	
8	4700901121		2	Banjo fitting 14x6 Hose 8	
9	4700230277		4	Copper washer 12,2x17,9x1,5	
10	4700792251		1	Banjo coupling M12 Hose 8	
11	4700234919		2	Screw M12-1,5-24-3	
12	4700904984	B	1XL	Fuel hose	C
13	4700313001		6	Hose clamp	
14	4700904985	C	1XL	Fuel hose	C
15	4700904984	D	1XL	Fuel hose	C
16	4700313041		N	Cable ties	
17	4700904230		2	Steel plain washer	
18	4700500029		2	Hexagon head screw	C
19	4700904281		5	Washer 5,3x10x1 300HV	C
20	4700500006		5	Screw M5x16	C
21	4700921084		1	Pipe clamp	
22	4700904228		1	Washer 6,4x12x1,5	
23	4700500013		1	Screw M6-1x16 8,8	C
24	4700945777		1	Gasket	
25	4700792814		1	Quick connect coupling	
26	4700792808		1	Banjo coupling	
27	4700792526		1	Quick connect coupling	
28	4700792547		1	Quick connect coupling	
29	4700791513		1	Pipe clamp	
40	4700945538		1	Fuel filter head with hand pump	
41	4700945147		1	Pre-fuel filter element	A
A)	L=0,66M				
B)	L=0,65M				
C)	L=2,35M				
D)	L=1,30M				

ConstructionParts.com

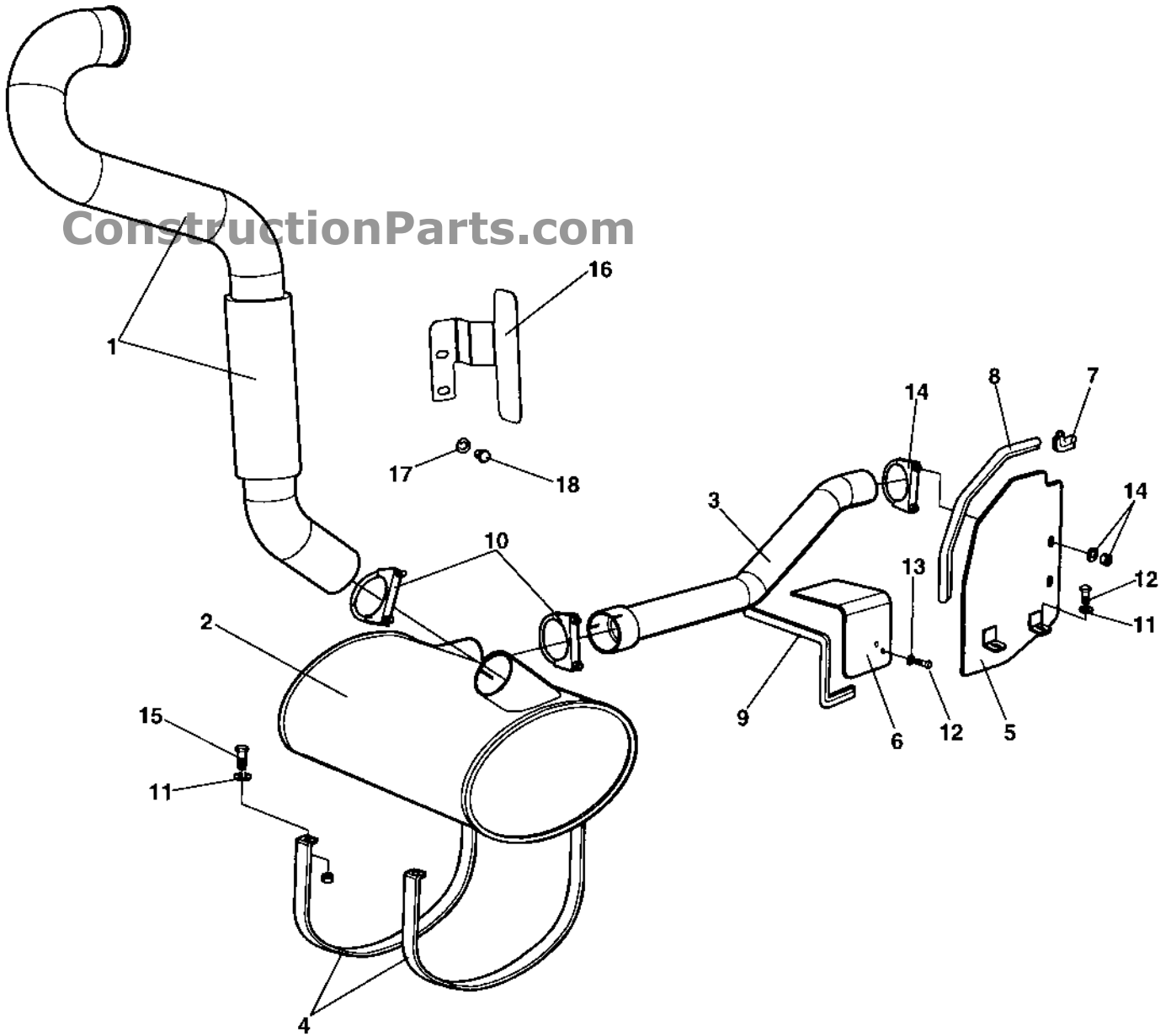
888-634-4289

Exhaust system

18436

ConstructionParts.com

888-634-4289



ConstructionParts.com

888-634-4289

Exhaust system

Item	Part No	Rem	Qty	Description	Code
1	4700392294		1	Exhaust pipe	
2	4700392295		1	Muffler	
3	4700392296		1	Exhaust pipe	
4	4700386789		2	Clamp	
5	4700377098		1	Thermal guard	
6	4700392747		1	Thermal guard	
7	4700902166	A	1XL	Edge trim	D
8	4700904076	B	1XL	Edge trim	D
9	4700904076	C	1XL	Edge trim	D
10	4700313094		2	Pipe clamp	C
11	4700904640		6	Washer 8,4x22x3	
12	4700500053		4	Screw M8x20H 8.8	C
13	4700904229		4	Washer 8,4x16x1,5	
14	4700313093		1	Pipe clamp	C
15	4700500022		4	Screw M8x30H 8.8 A2K	C
16	4700396185		1	Thermal guard	
17	4700904231		2	Steel plain washer	
18	4700500163		2	Screw M12x16	C
A)	L=0,080M				
B)	L=0,410M				
C)	L=0,410M				

ConstructionParts.com

888-634-4289

ConstructionParts.com

888-634-4289

ConstructionParts.com

ConstructionParts.com

888-634-4289

Transmission

Item	Part No	Rem Qty	Description	Code
17			Rear axle and wheels (Page 54)	
21	4700393002		Rear axle (Page 56)	
30	4700383856		Rear axle No-Spin, Option (Page 64)	
40	4700396309		Rear axle Option (Page 72)	

ConstructionParts.com

888-634-4289

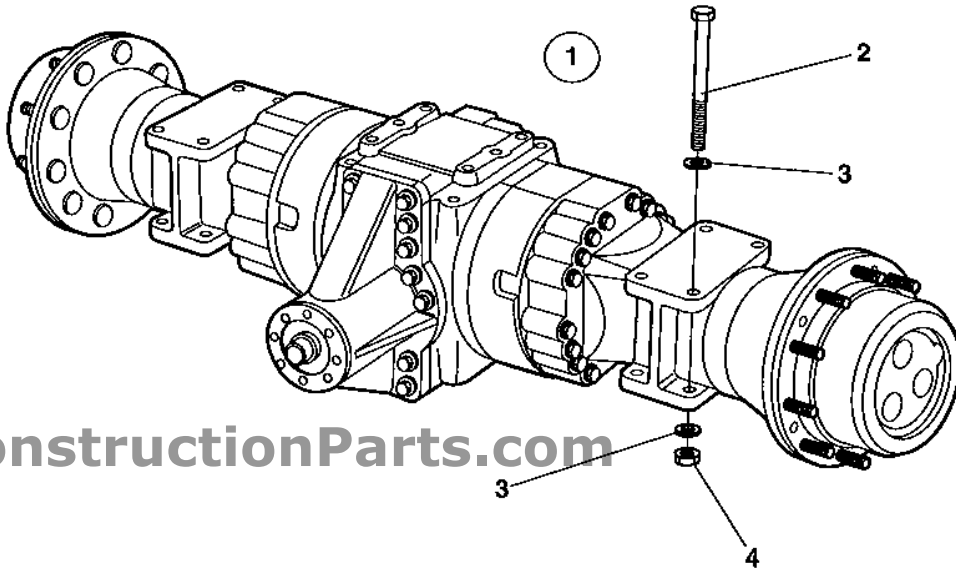
ConstructionParts.com

888-634-4289

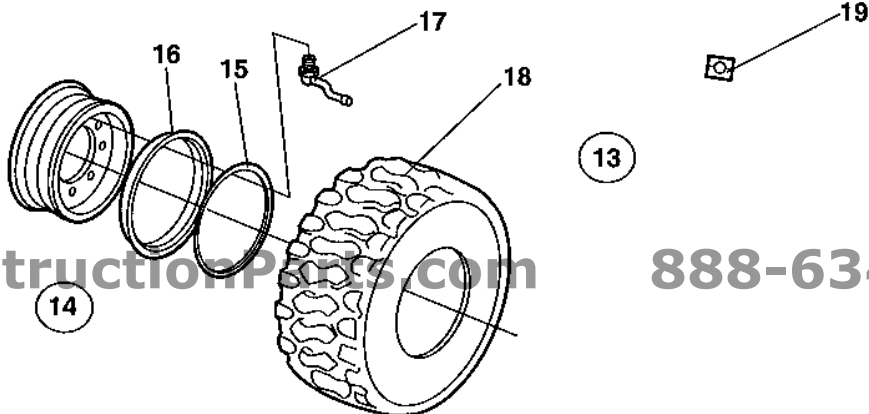
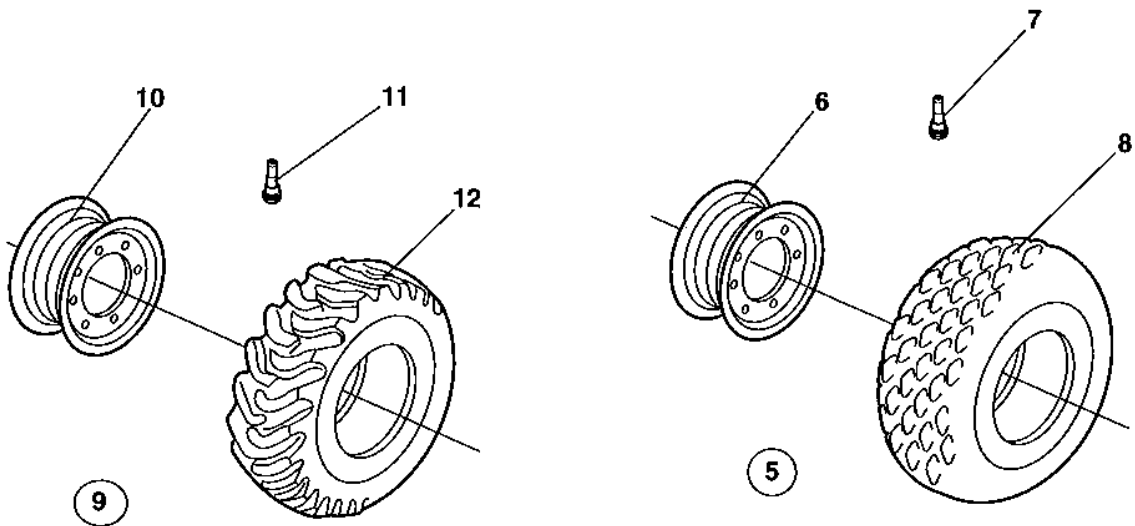
18225-1

ConstructionParts.com

888-634-4289



ConstructionParts.com



ConstructionParts.com

888-634-4289

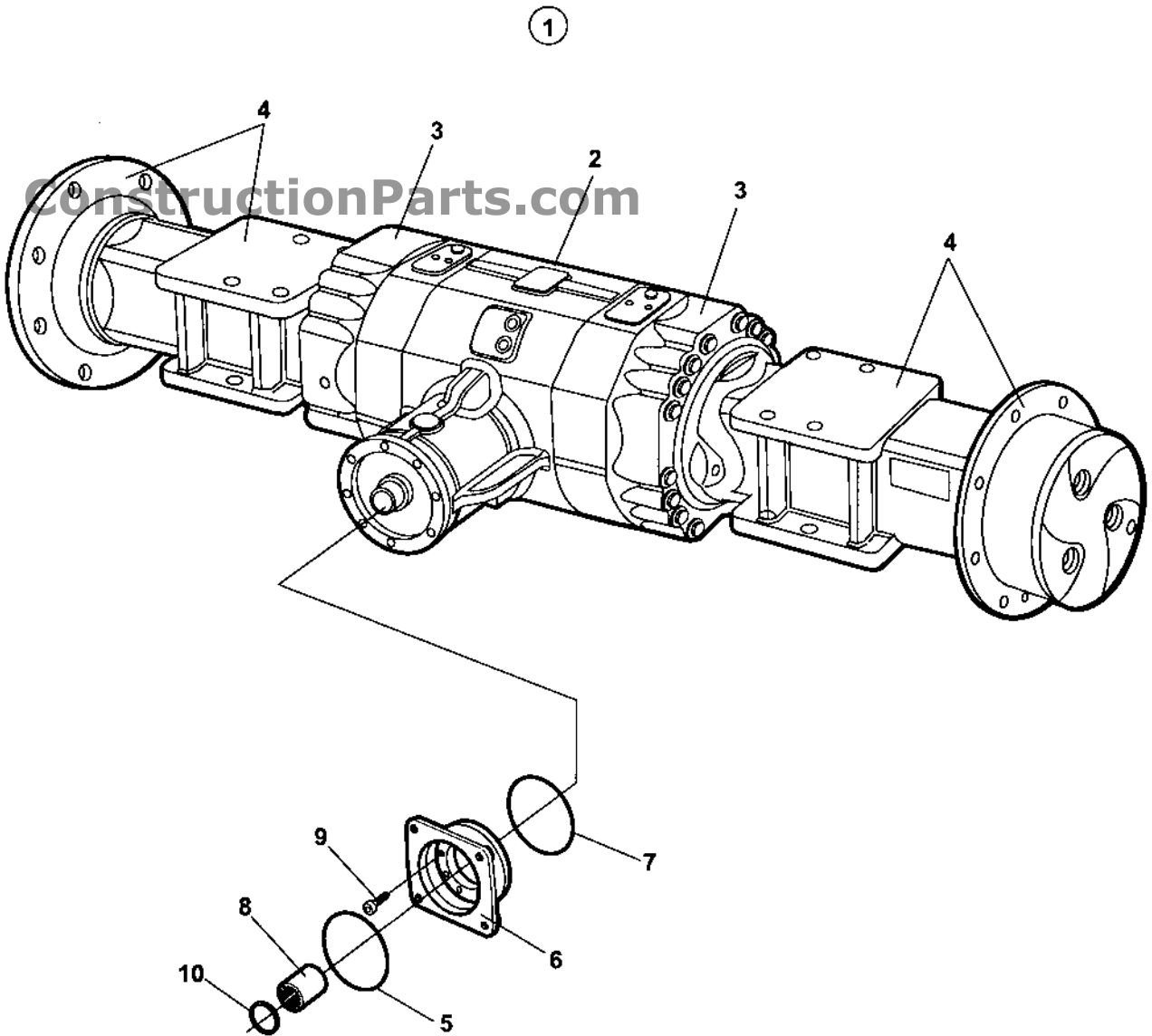
Rear axle and wheels

Item	Part No	Rem	Qty	Description	Code
1	4700393002		1	Rear axle (Page 56)	
2	4700929217		8	Screw	
3	4700904233		16	Steel plain washer	
4	4700901145		8	Lock nut M20-10	
5	4700390590		2	Wheel, cpl	
	4700390762	A	2	Wheel, cpl	
	4700388145	A,G	1	Wheel, cpl	
	4700388146	G	1	Wheel, cpl	
6	4700393335		1	.Rim	
7	4700792261		1	.Air charging valve Straight	B
8	4700390591		1	.Tyre	D
	4700791573	J,G	1	.Tyre	D
9	4700390588	B	1	Tractor wheel, cpl	
	4700390587	C	1	Tractor wheel, cpl	
	4700390759	D	1	Tractor wheel, cpl	
	4700390760	E	1	Tractor wheel, cpl	
10	4700393335		1	.Rim	
11	4700792261		1	.Air charging valve Straight	B
12	4700390589		1	.Tyre	D
13	4700383974	F	2	Wheel, tubeless, cpl	
	4700383975	K	2	Wheel, tubeless, cpl	
14	4700383955		1	.Rim cpl	
15	4700901443		1	..Snap ring	
16	4700901444		1	..Side ring	
17	4700791175		1	.Air charging valve	
	4700791176		1	.Valve foot	
18	4700901218		1	.Tyre	D
19	4700355983	H	2	Decal "TYRE PRESSURE" 200kPa/29psi	D
	4700903985	I	2	Decal "SAFETY", "TYRE IN BALLAST"	

- A) Liquidfilled, option.
- B) Left, option.
- C) Right, option.
- D) Liquidfilled tyre, right, option.
- E) Liquidfilled tyre, left, option.
- F) Option, Michelin branded.
- G) For Chinese market only.
- H) Used with item 13, 4700383974. 4700383975.
- I) Used with Liqued filled tyres.
- J) Used together with 4700388145 and 4700388146.
- K) Liquidfilled, option, Michelin branded.

ConstructionParts.com

888-634-4289



4700393002 Rear axle

Item	Part No	Rem Qty	Description	Code
1		1	Rear axle	
2		1	.Differential with limited slip (Page 58)	
3		2	.Differential housing and brakes (Page 60)	
4		2	.Planet gear (Page 62)	
5	4700909630	1	O-ring	D
6	4700950556	1	Flange	
7	4700929648	1	O-ring	D
8	4700950559	1	Splined sleeve	
9	4700929712	8	Screw	
10		1	Circlip	

ConstructionParts.com

888-634-4289

ConstructionParts.com

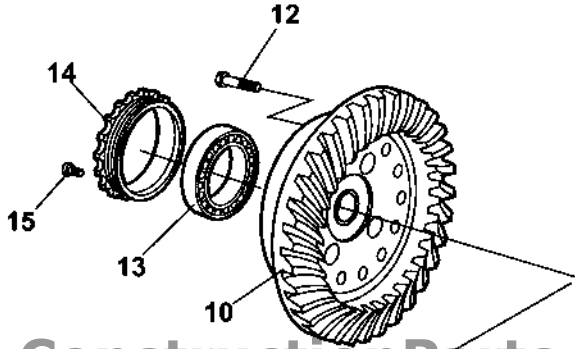
888-634-4289

Differential with limited slip

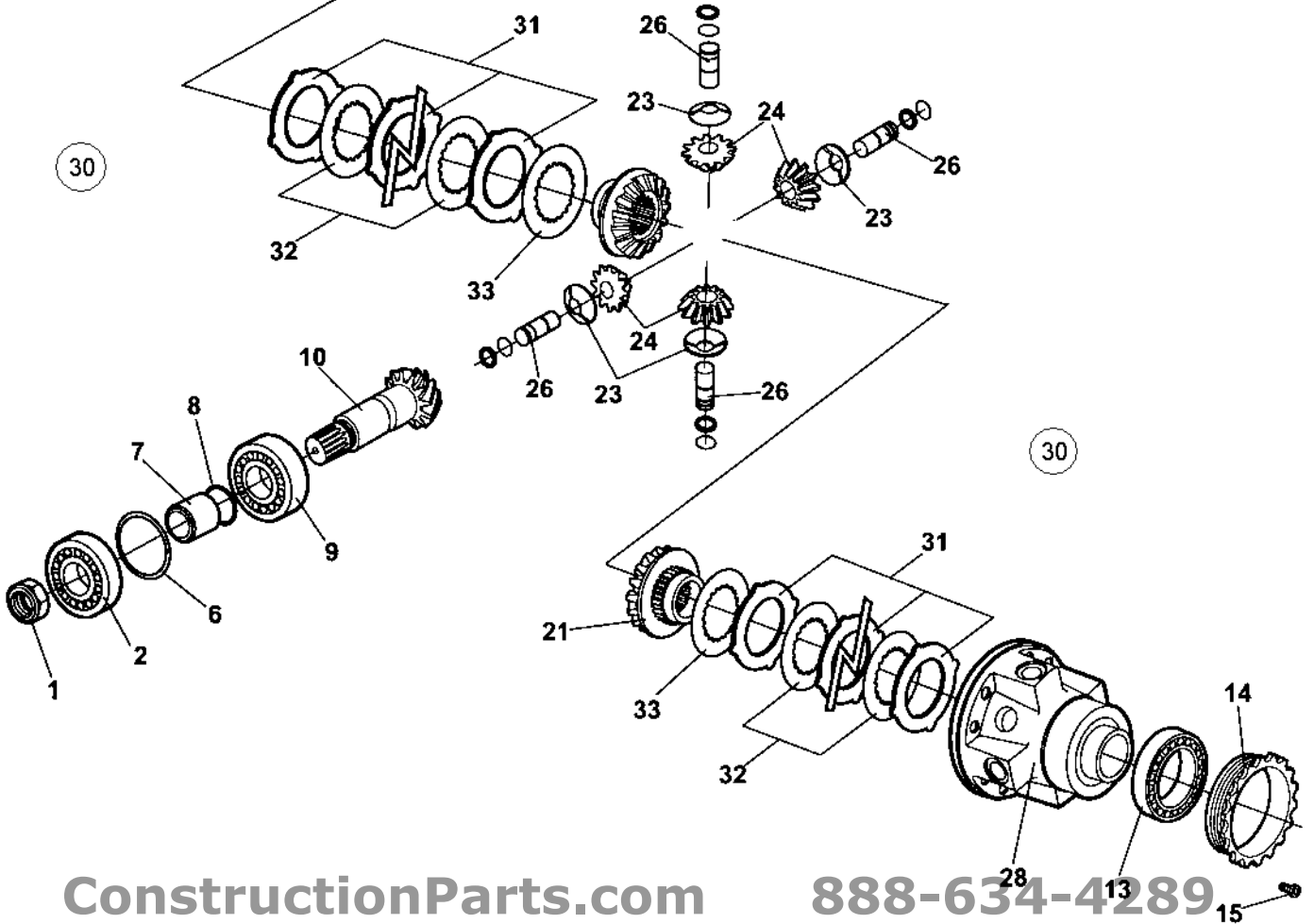
18841

ConstructionParts.com

888-634-4289



ConstructionParts.com



ConstructionParts.com

888-634-4289

Differential with limited slip

Item	Part No	Rem Qty	Description	Code
1	4700938988	1	Ring nut	
2		1	Roller bearing	
6	4700926354	N	Shim	
	4700926356	N	Shim	
	4700926786	N	Shim	
7		1	Spacer	
8	4700936053	1	Shim 0.15mm	
	4700936054	1	Shim 0.20mm	
	4700936055	1	Shim 0.40mm	
	4700936056	1	Shim 0.50mm	
9		1	Roller bearing	
10		1	Bevel gear set	
12	4700938991	16	Screw	
13		1	Bearing	
14		2	Nut	
15	4700938989	2	Screw	
21		2	Differential gear	
23	4700936036	4	Friction washer	
24	4700936035	4	Differential pinion	
26		4	Pin	
28		1	Differential carrier	
30	4700938993	2	Disc kit	D
31		N	.Limited slip disc	D
32		N	.Limited slip disc	D
33		N	.Limited slip disc	D

ConstructionParts.com

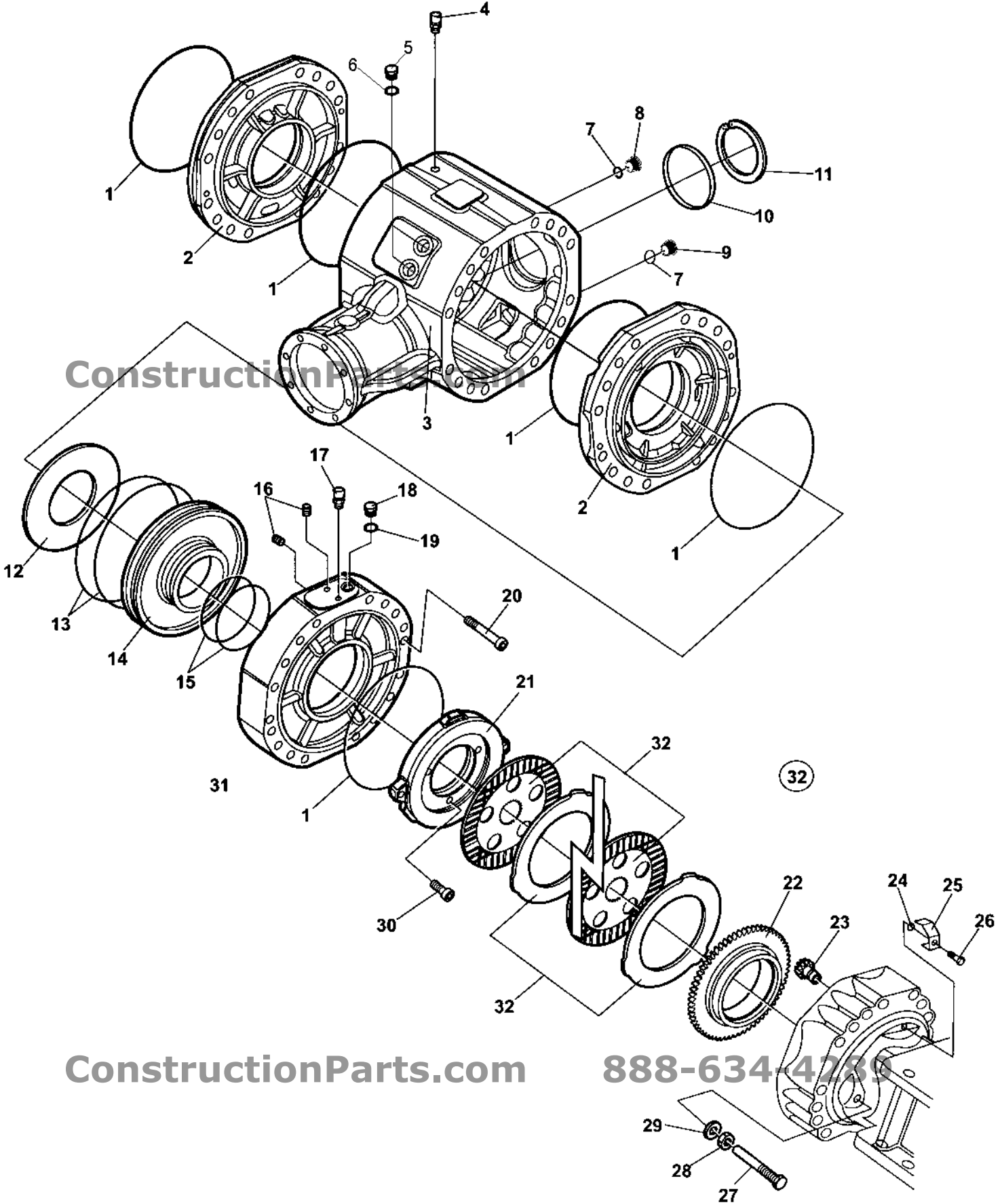
888-634-4289

Differential housing and brakes

18842

ConstructionParts.com

888-634-4289



ConstructionParts.com

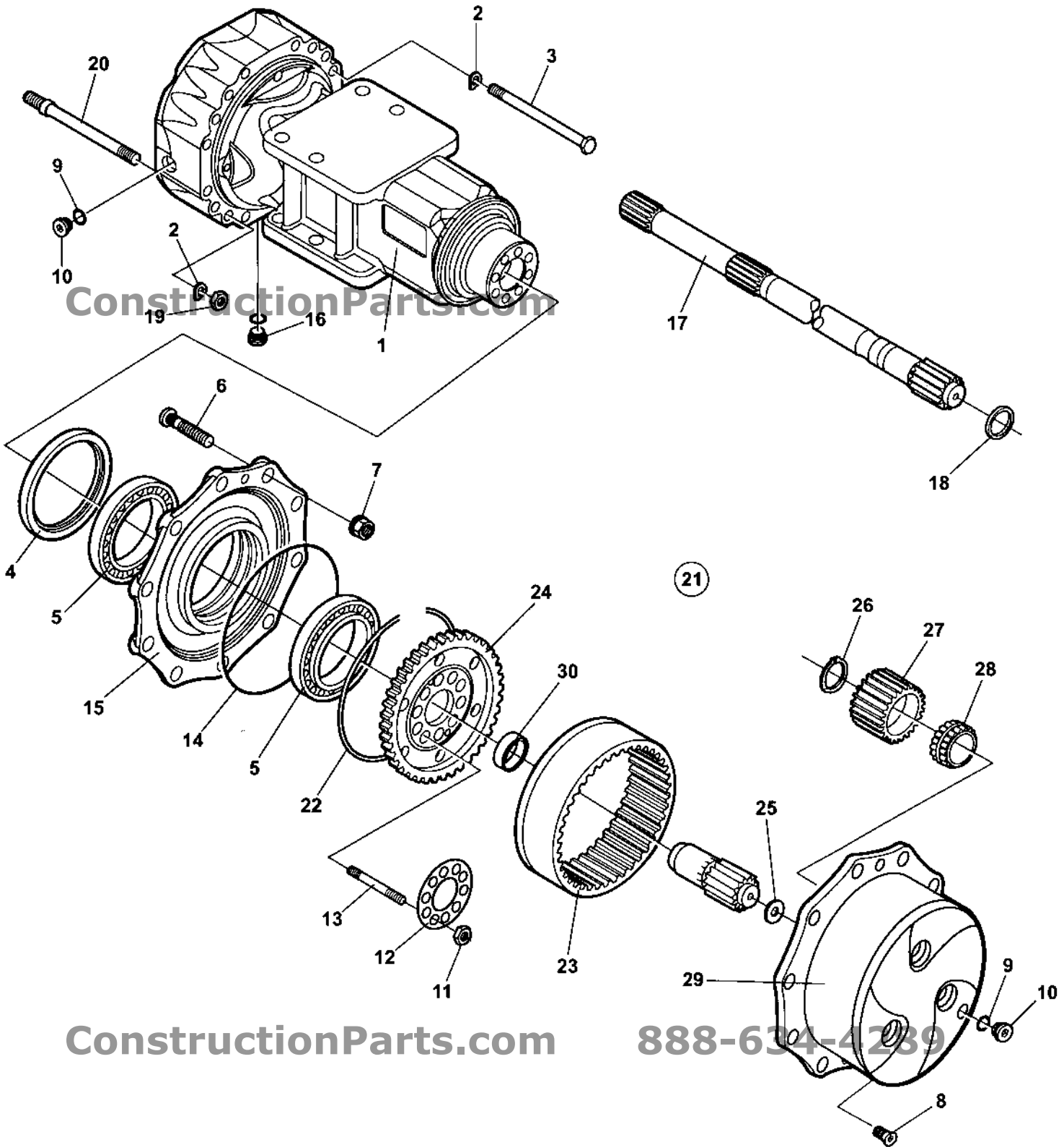
888-634-4289

Differential housing and brakes

Item	Part No	Rem Qty	Description	Code
1	4700929612	6	O-ring	
2		2	Cover	
3		1	Housing	
4	4700938984	1	Vent nipple	
5	4700909544	2	Screw	
6	4700938983	2	Sealing washer	
7		2	Seal	
8	4700939348	1	Plug	
9	4700939350	1	Magnetic plug	
10		1	Plug	
11	4700929617	1	Lock ring	
12	4700909616	2	Spring	
13	4700909618	4	O-ring	D
14	4700939280	2	Piston	
15	4700909619	4	O-ring	D
16		4	Bolt	D
17	4700938984	2	Vent nipple	
18	4700939282	2	Bolt	
19	4700939036	2	Sealing washer	
20	4700939035	4	Screw	
21		2	Disc	
22	4700939285	2	Ring	
23	4700909622	2	Pinion	
24	4700900966	2	O-ring	D
25		2	Lock plate	D
26	4700909624	2	Screw	
27	4700909626	4	Bolt	
28	4700900957	4	Nut	
29	4700926847	4	Sealing washer	
30	4700939026	6	Screw	
31		2	Cover	
32	4700950558	2	Brake disc kit	
		10	.Brake disc	
		10	.Brake disc	
	4700929612	2	.O-ring	

ConstructionParts.com

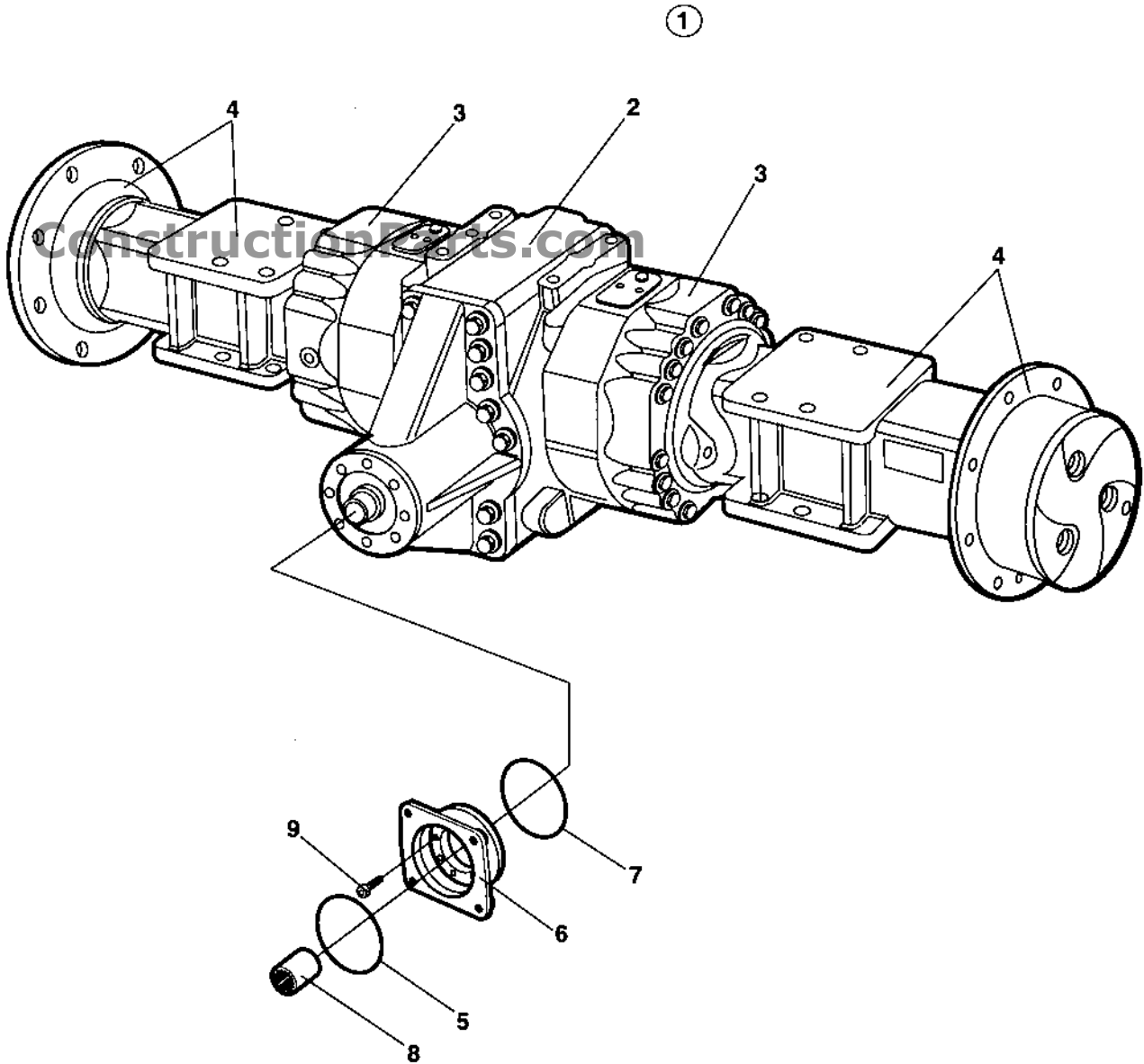
888-634-4289



Planet gear

Item	Part No	Rem Qty	Description	Code
1		2	Axle case	
2	4700939003	32	Spring washer	
3		24	Bolt	
4		2	Seal	
5	4700939009	4	Bearing	
6	4700926781	20	Wheel screw	
7	4700901987	20	Wheel nut	
8	4700939015	4	Screw	
9		6	Copper washer	
10	4700939348	4	Plug	
11	4700939016	20	Nut	
12	4700939010	2	Lock plate	
13	4700939017	20	Stud	
14	4700929612	2	O-ring	
15		2	Wheel hub	
16	4700939350	2	Magnetic plug	
17		2	Half shaft	
18	4700939014	2	Seal	
19	4700939019	8	Nut	
20	4700939278	8	Stud	
21	4700950557	2	Planet gear carrier Cpl.	
22	4700939267	2	.Circlip	
23		2	.Ring gear	
24		2	.Ring gear support	
25	4700939270	2	.Washer	
26	4700939271	6	.Seal	
27	4700939272	6	.Planet gear	
28	4700939273	6	.Bearing	
29		2	.Planet gear carrier	
30		2	Ring	

ConstructionParts.com**888-634-4289**



4700383856 Rear axle No-Spin, Option

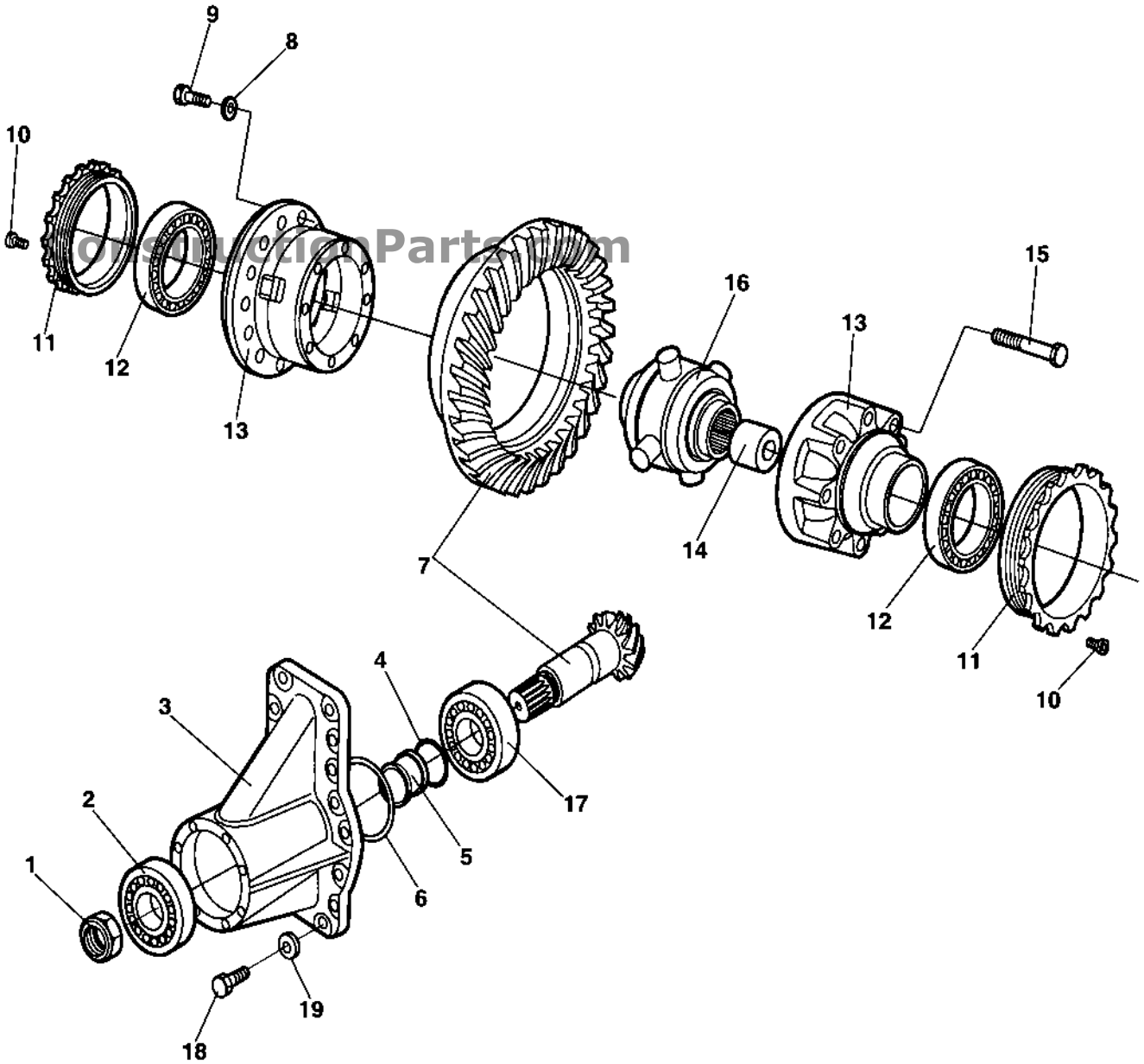
Item	Part No	Rem Qty	Description	Code
1		1	Rear axle	
2		1	.Differential with No-Spin (Page 66)	
3		2	.Differential housing and brakes (Page 68)	
4		2	.Planet gear (Page 70)	
5	4700909584	1	O-ring	D
6	4700909583	1	Flange	
7	4700929648	1	O-ring	D
8	4700901834	1	Splined sleeve	
9	4700909582	8	Screw	

ConstructionParts.com

888-634-4289

ConstructionParts.com

888-634-4289

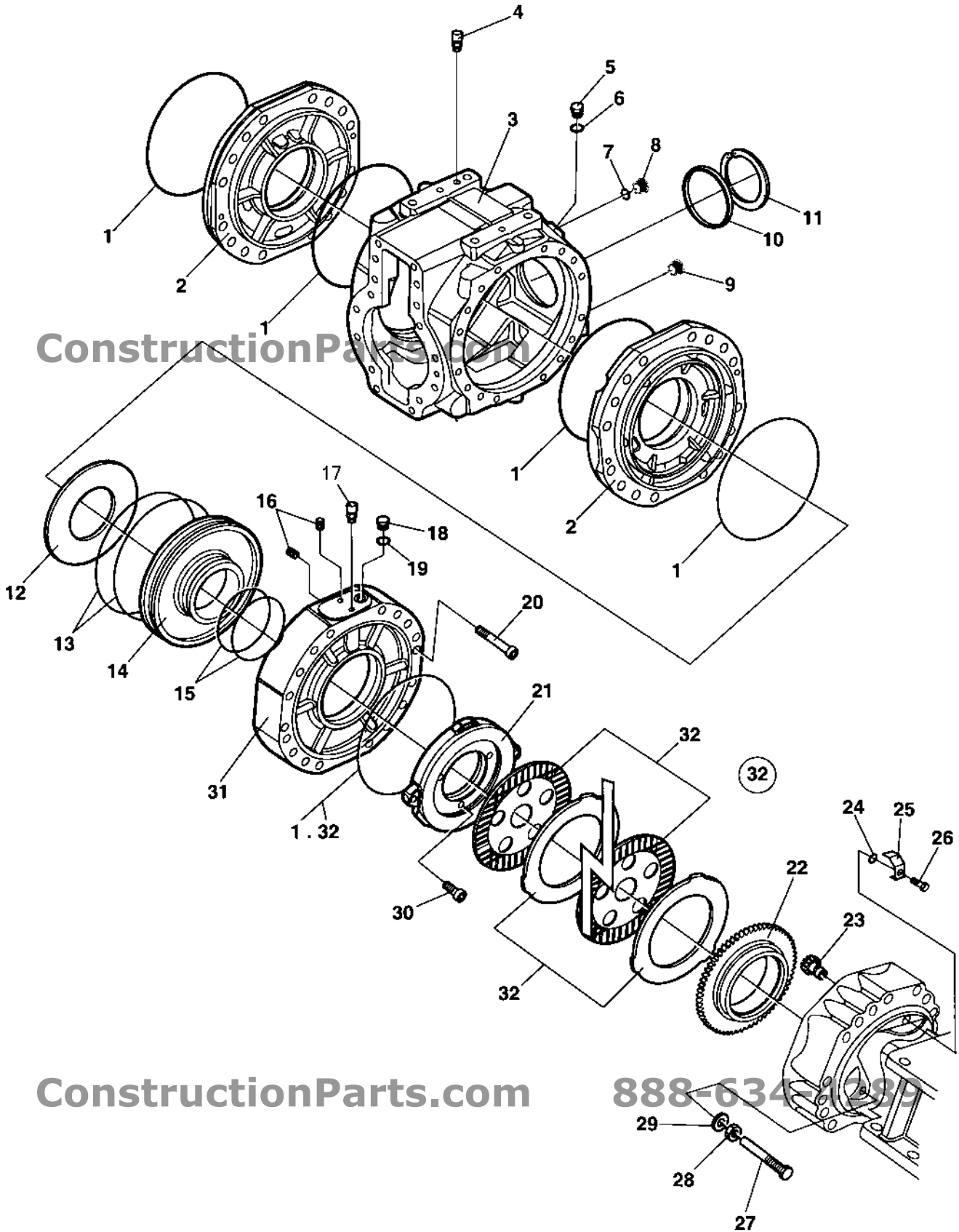


Differential with No-Spin

Item	Part No	Rem Qty	Description	Code
1	4700929638	1	Nut	
2	4700909574	1	Roller bearing	
3	4700908485	1	Housing	
4	4700939259	1	Shim	0,15mm
	4700909580	1	Shim	0,20mm
	4700909576	1	Shim	0,30mm
	4700929644	1	Shim	0,40mm
	4700939260	1	Shim	0,50mm
5	4700909567	1	Spacer	
6	4700909568	1	Shim	0,10mm
	4700909569	1	Shim	0,20mm
	4700909570	1	Shim	0,50mm
	4700939258	1	Shim	0,15mm
7	4700212553	1	Bevel gear set	
8	4700929628	16	Washer	
9	4700929629	16	Screw	
10	4700938989	2	Screw	
11	4700939261	2	Nut	
12	4700923342	1	Bearing	
13	4700929630	1	Differential case	
14	4700929631	1	Spacer	
15	4700929625	8	Screw	
16	4700929626	1	Non-spin unit	
17	4700909581	1	Roller bearing	
18	4700939257	16	Bolt	
19	4700909572	16	Spring washer	

ConstructionParts.com

888-634-4289

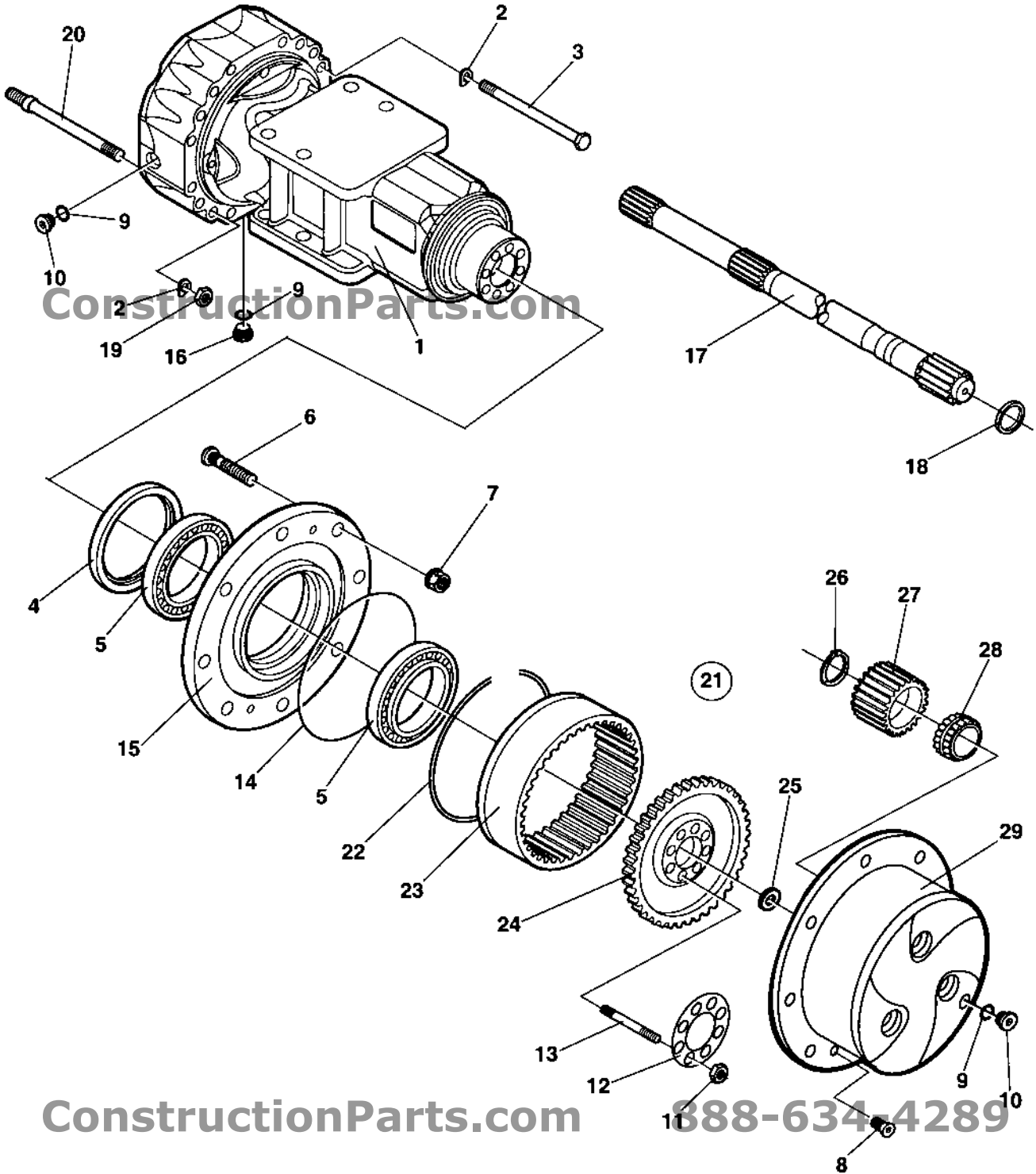


Differential housing and brakes

Item	Part No	Rem Qty	Description	Code
1	4700909609	6	O-ring	D
2	4700939255	2	Cover	
3	4700939256	1	Housing	
4	4700938984	1	Vent nipple	
5	4700909544	2	Screw	
6	4700938983	2	Sealing washer	
7	4700909607	1	Seal	D
8	4700909596	1	Plug	
9	4700926810	1	Magnetic plug	
10	4700938296	1	Plug	
11	4700929617	1	Lock ring	
12	4700909616	2	Spring	
13	4700909618	4	O-ring	D
14	4700939280	2	Piston	
15	4700909619	4	O-ring	D
16	4700939281	4	Bolt	
17	4700938984	2	Vent nipple	
18	4700939282	2	Bolt	
19	4700939036	2	Sealing washer	
20	4700939035	4	Screw	
21	4700939283	2	Disc	
22	4700939285	2	Ring	
23	4700909622	2	Pinion	
24	4700900966	2	O-ring	D
25	4700939286	2	Lock plate	
26	4700909624	2	Screw	
27	4700909626	4	Bolt	
28	4700900957	4	Nut	
29	4700926847	4	Sealing washer	
30	4700939026	6	Screw	
31	4700939287	2	Cover	
32	4700939284	2	Brake disc kit	
		12	.Brake disc	
		12	.Brake disc	
	4700909609	2	.O-ring	D

ConstructionParts.com

888-634-4289

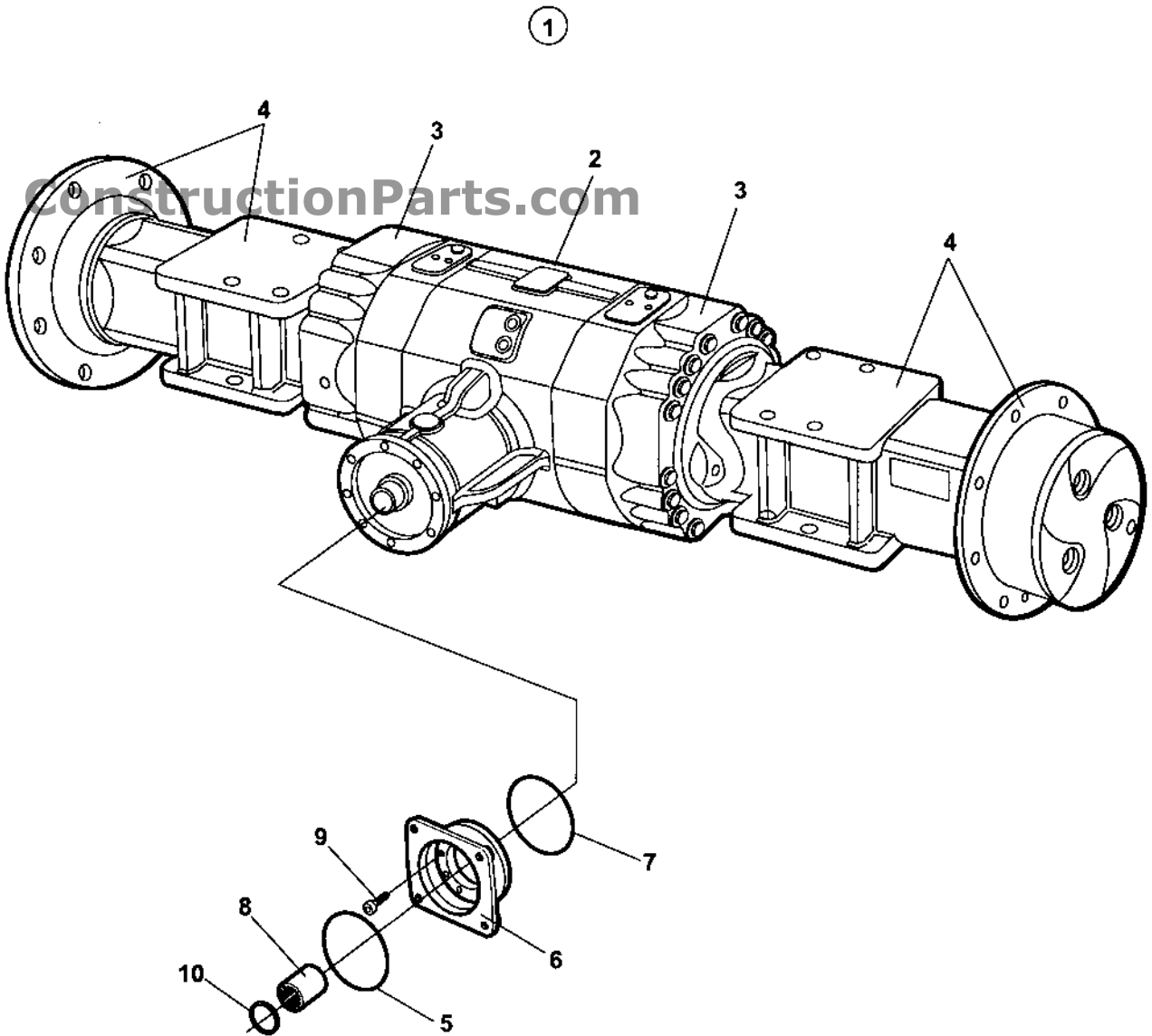


Planet gear

Item	Part No	Rem Qty	Description	Code
1	4700939263	2	Axle case	
2	4700939003	32	Spring washer	
3	4700939264	24	Bolt	
4	4700939265	2	Seal	
5	4700939266	4	Bearing	
6	4700926781	20	Wheel screw	
7	4700901987	20	Wheel nut	
8	4700939015	4	Screw	
9	4700330333	6	Copper washer	D
10	4700909596	4	Plug	
11	4700939016	20	Nut	
12	4700939275	2	Lock plate	
13	4700939017	20	Stud	
14	4700929612	2	O-ring	
15	4700939276	2	Wheel hub	
16	4700938985	2	Magnetic plug	
17	4700939277	2	Half shaft	
18	4700909586	2	Seal	D
19	4700939019	8	Nut	
20	4700939278	8	Stud	
21	4700939351	2	Planet gear carrier Cpl.	
22	4700939267	2	.Circlip	
23	4700939268	2	.Ring gear	
24	4700939269	2	.Ring gear support	
25	4700939270	2	.Washer	
26	4700939271	8	.Seal	
27	4700939272	8	.Planet gear	
28	4700939273	8	.Bearing	
29	4700939349	2	.Planet gear carrier	

ConstructionParts.com

888-634-4289



4700396309 Rear axle Option

Item	Part No	Rem Qty	Description	Code
1		1	Rear axle	
2		1	.Differential with limited slip (Page 58)	
3		2	.Differential housing and brakes (Page 60)	
4		2	.Planet gear (Page 62)	
5	4700909584	1	O-ring	D
6	4700950555	1	Flange	
7	4700929648	1	O-ring	D
8	4700901834	1	Splined sleeve	
9	4700900256	8	Screw	
10		1	Not used on this model	

ConstructionParts.com

ConstructionParts.com

888-634-4289

ConstructionParts.com

888-634-4289

ConstructionParts.com

ConstructionParts.com

888-634-4289

Hydraulic system

Item	Part No	Rem Qty	Description	Code
10			Propulsion system, Front (Page 76)	
20			Vibration system (Page 80)	
30			Steering system (Page 90)	
60			Brake system (Page 96)	
70			Central test panel hydraulic Option (Page 98)	

ConstructionParts.com

888-634-4289

ConstructionParts.com

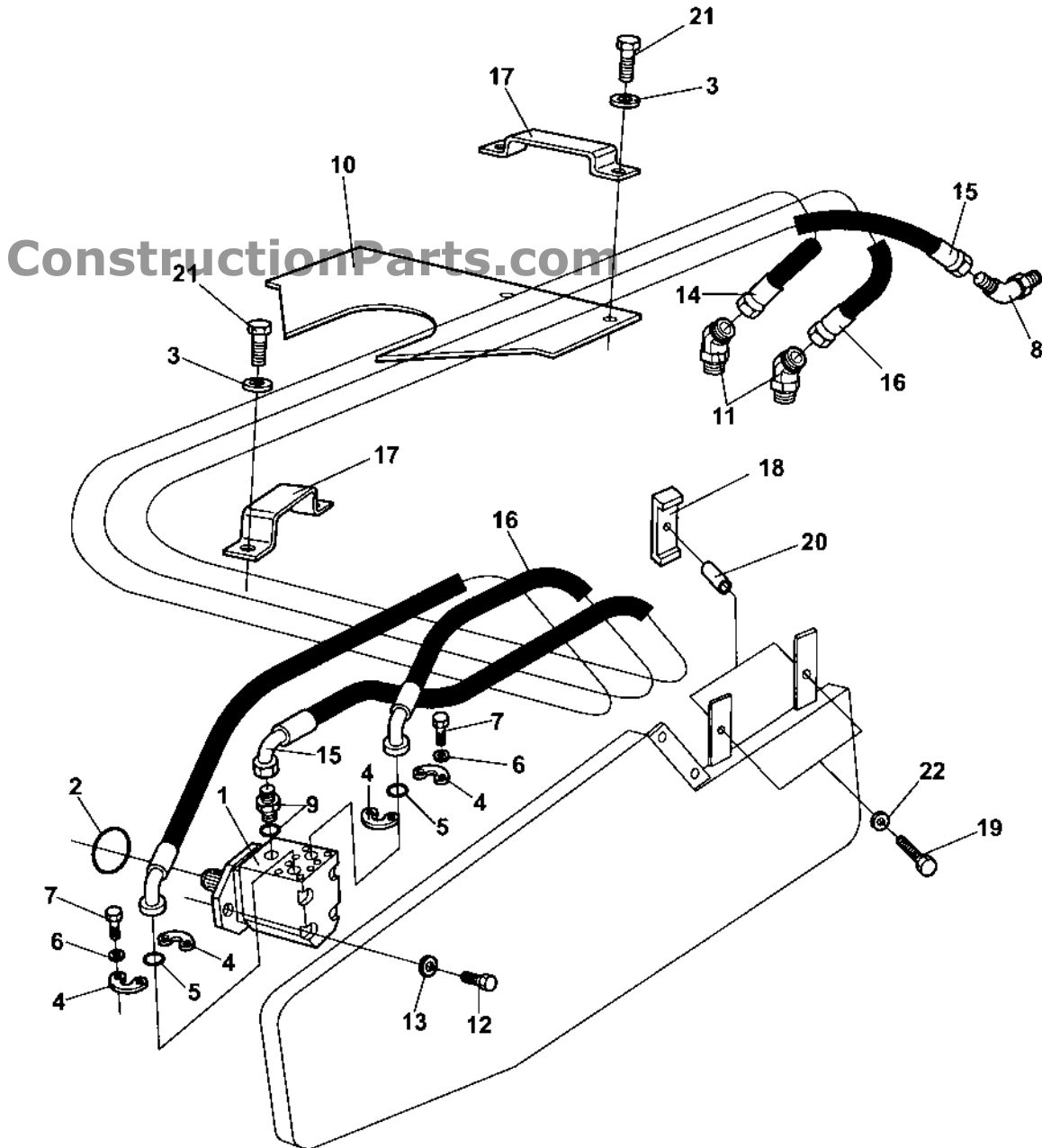
888-634-4289

Propulsion system, Front

16613-1

ConstructionParts.com

888-634-4289



ConstructionParts.com

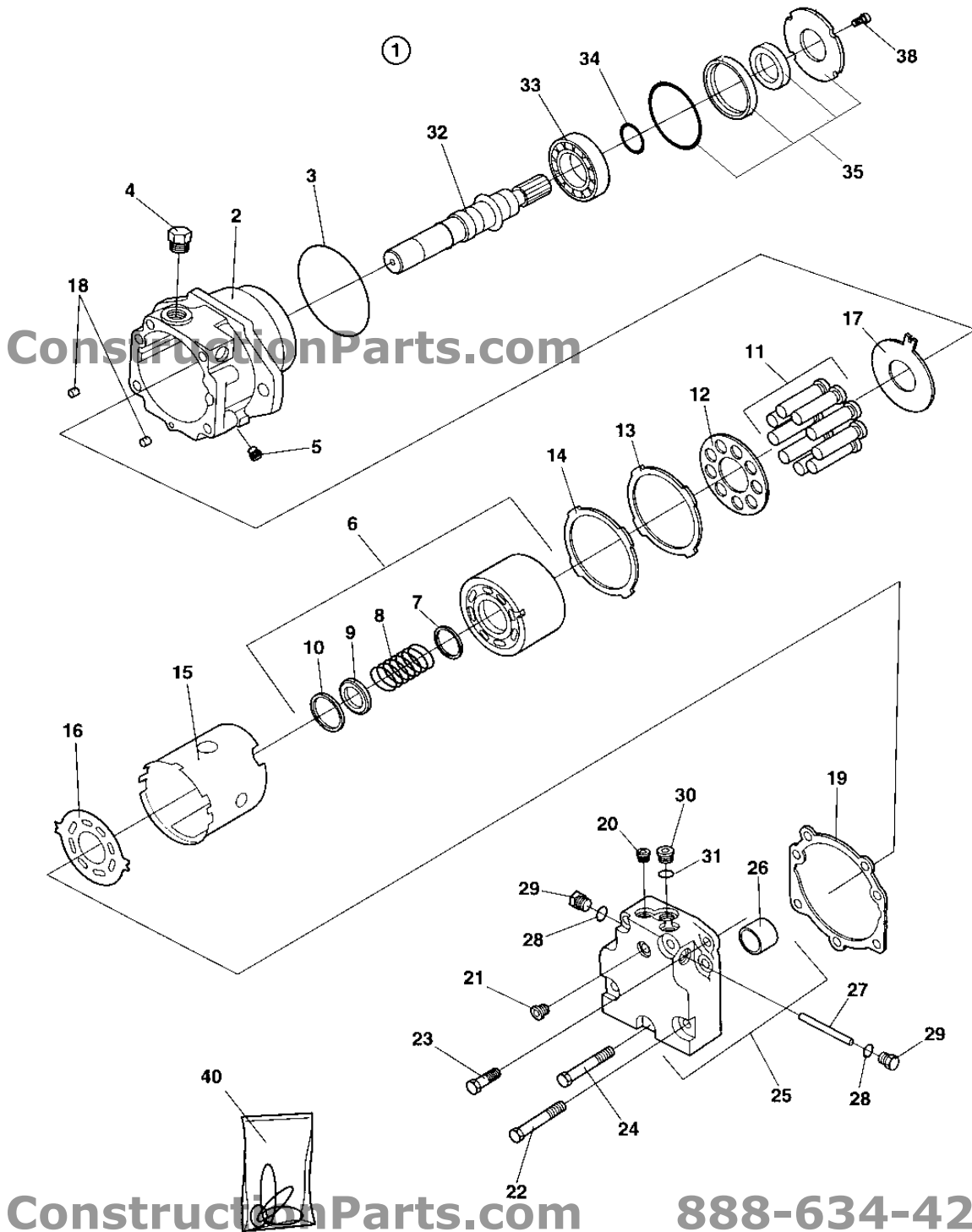
888-634-4289

Propulsion system, Front

Item	Part No	Rem Qty	Description	Code
1	4700371509	1	Propulsion motor (Page 78)	C
2	4700904058	1	O-ring	
3	4700904230	6	Steel plain washer	
4	4700923384	4	Flange half	
5	4700904005	2	O-ring	
6	4700904638	8	Washer 12x22x2	
7	4700502132	8	Screw UNC 7/16" x 22	
8	4700334132	1	Elbow 45, O-ring	
9	4700334138	1	Adapter	C
10	4700372235	1	Hose guard	
11	4700791230	2	Elbow 45	
12	4700500101	2	Screw M20x50	C
13	4700903290	2	Washer 21x36x6	
14	4700483996	1	Hydraulic hose	
15	4700483190	1	Hydraulic hose	
16	4700483995	1	Hydraulic hose	
17	4700373016	2	Hose clamp	
18	4700373270	2	Hose clamp	
19	4700500032	2	Screw M10 x 55	
20	4700373423	2	Spacer	
21	4700500029	4	Hexagon head screw	C
22	4700904230	2	Steel plain washer	

ConstructionParts.com

888-634-4289



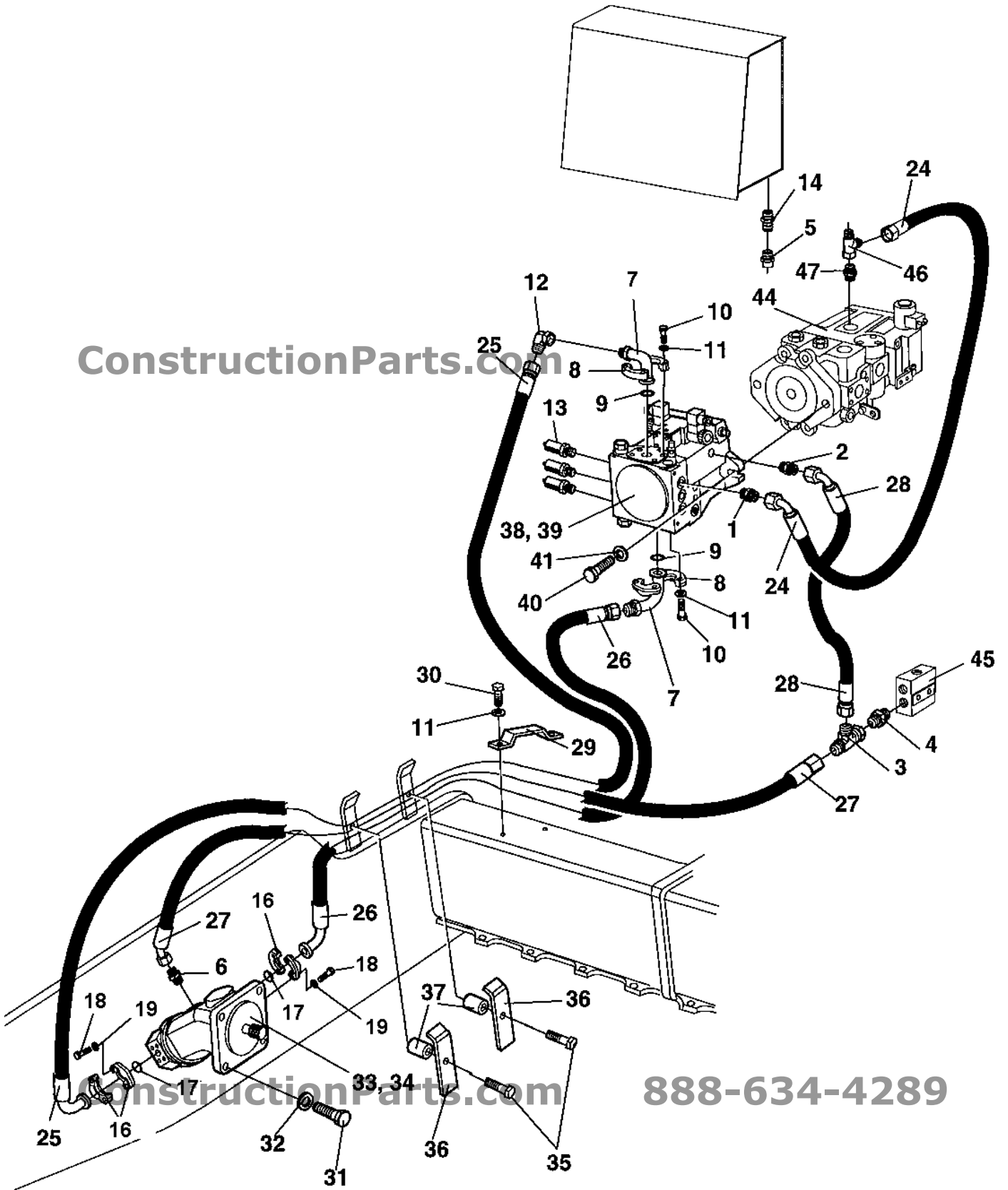
4700371509 Propulsion motor

Item	Part No	Rem	Qty	Description	Code
1			1	Hydraulic motor, Cpl	
2	4700937274		1	.Housing	
3	4700937275	1	1	.O-ring	
4	4700902928		2	.Plug	C
	4700901453	1	2	..O-ring	C
5	4700908432		1	.Plug	C
6	4700937277		1	.Cylinder block, cpl	
7	4700935619		1	..Spacer	
8	4700937278		1	..Spring	
9	4700935621		1	..Spring retainer	
10	4700935622		1	..Ring retainer	
11	4700903570		9	.Piston	D
12	4700903571		1	.Pressure plate	D
13	4700935623		1	.Retainer guide	
14	4700935624		1	.Shim	
15	4700935625		1	.Holder	
16	4700935626		1	.Valve plate	
17	4700937279		1	.Thrust plate	
18	4700813822		2	.Pin	C
19	4700935629	1	1	.Gasket	D
20	4700358388		2	.Plug	
21	4700908432		1	.Plug	C
22	4700909252		4	.Screw	
23	4700909253		2	.Screw	
24	4700935630		1	.Screw	
25	4700937280		1	.End cap, cpl	
26	4700903053		1	..Bushing	
27	4700909255		1	.Spool	
28	4700923087	1	2	.O-ring	C
29	4700358388		2	.Plug	
30	4700935853		1	.Plug	
31	4700926658	1	1	.O-ring	C
32	4700935631		1	.Shaft	
33	4700901465		1	.Bearing	
34	4700901467		1	.Ring	
35	4700950368		1	.Shaft seal kit	
38	4700908773		3	.Screw	C
40	4700937283		1	Seal kit	

1) Includes in item 40, Seal kit

ConstructionParts.com

888-634-4289

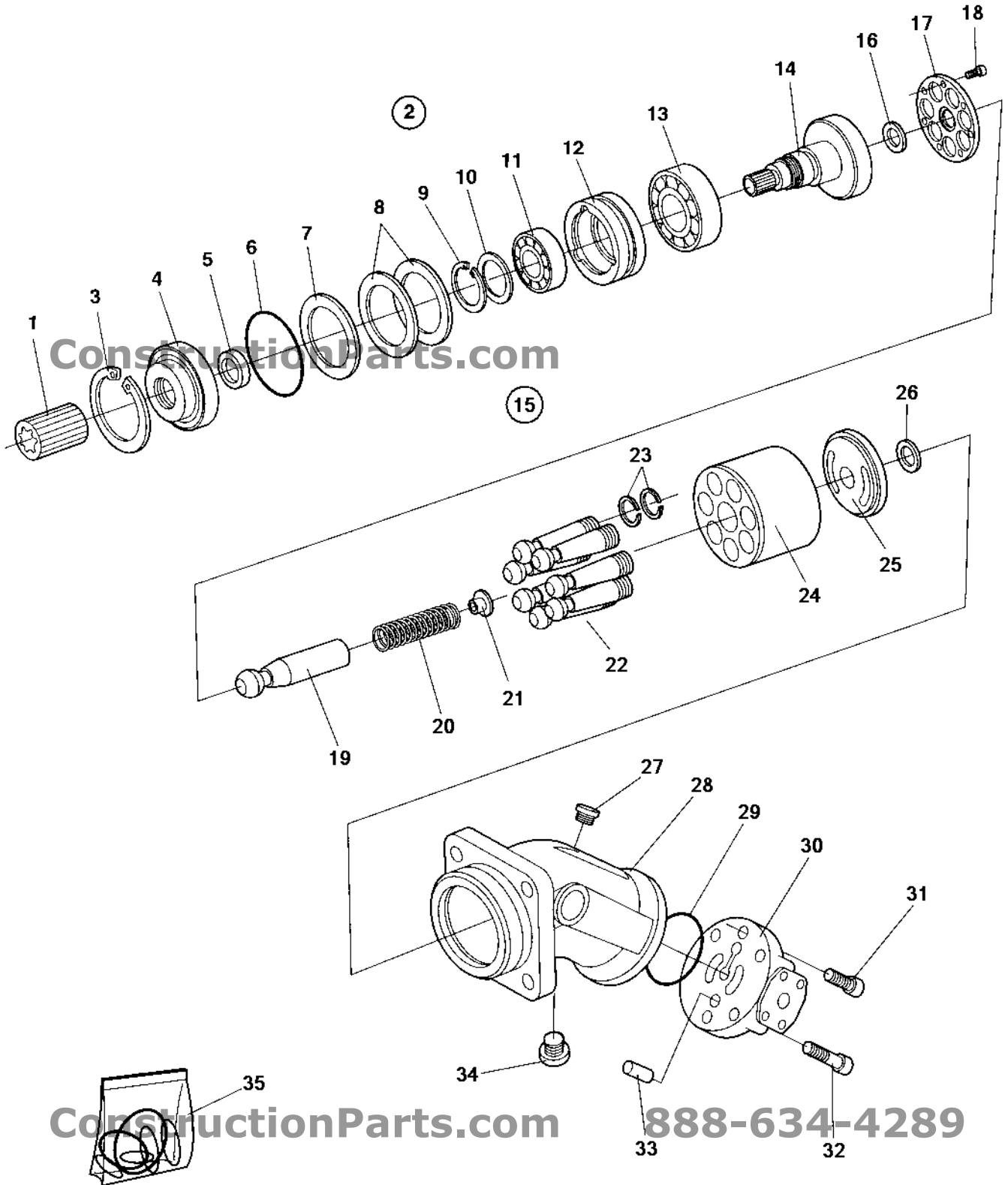


888-634-4289

Vibration system

Item	Part No	Rem	Qty	Description	Code
1	4700234382		1	Adapter	
2	4700901155		1	Connector	C
3	4700334135		1	Tee-connector	C
4	4700334122		1	Adapter	
5	4700330383		1	Cap hydraulic	
6	4700334121		1	Straight connector	C
7	4700904767		2	Flange adapter	
8	4700929226		4	Flange half	C
9	4700904773		2	O-ring	
10	4700500030		8	Hexagon head screw	
11	4700904230		14	Steel plain washer	
12	4700904781		1	Adapter	C
13	4700901157		3	Measuring nipple	C
14	4700334205		1	Straight connector	
16	4700900430		4	Flange half	C
17	4700904774		2	O-ring	
18	4700502019		8	Screw	
19	4700904229		8	Washer 8.4x16x1,5	
24	4700483286		1	Hydraulic hose	
25	4700483910		1	Hydraulic hose	
26	4700483911		1	Hydraulic hose	
27	4700483031		1	Hydraulic hose	
28	4700483397		1	Hydraulic hose	
29	4700373017		2	Hose clamp	
30	4700500028		4	Screw	
31	4700500194		4	Screw	C
32	4700904231		4	Steel plain washer	
33	4700380145		1	Hydraulic motor, vibration (Page 82)	C
34	4700160132		1	O-ring 124, 50x3, 00	D
35	4700500032		2	Screw M10 x 55	
36	4700373270		2	Hose clamp	
37	4700373424		2	Spacer	
38	4700383958		1	Vibration pump (Page 84)	C
39	4700903877		1	O-ring	
40	4700502078		2	Screw	
41	4700904232		2	Washer	C
44		A	1	Hydraulic pump	C
45		A	1	Connection block	C
46		A	1	Tee-connector	C
47		A	1	Straight connector	C

A) See section "Hydraulic propulsion"



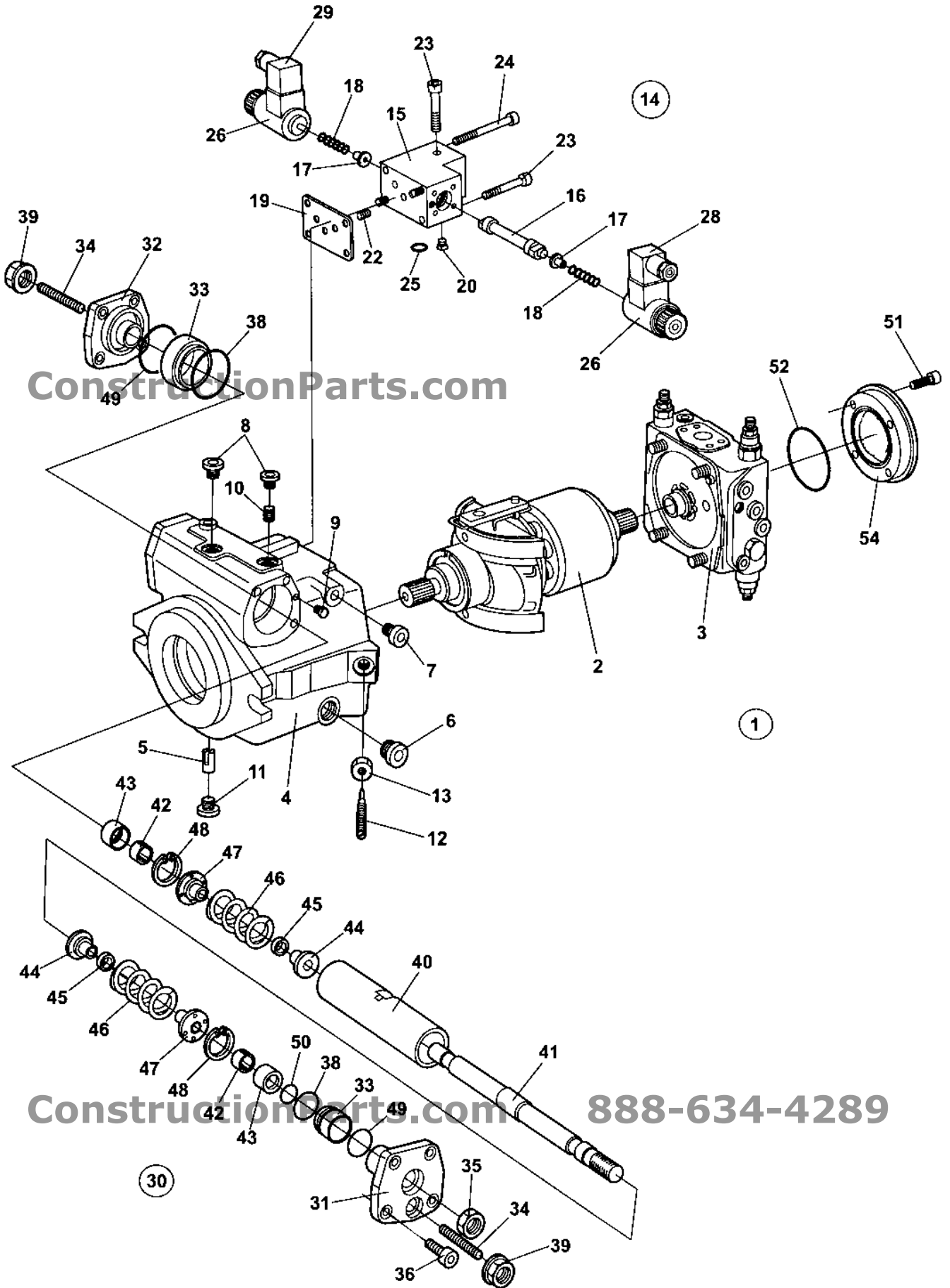
4700380145 Hydraulic motor, vibration

Item	Part No	Rem	Qty	Description	Code
			1	Hydraulic motor, vibration	C
1	4700340863		1	..Splined sleeve	D
2	4700380078		1	..Hydraulic motor, vibration	
3	4700901387		1	..Snap ring	
4	4700937261		1	..Cover	
5	4700937264	1	1	..Seal ring	
6	4700937265	1	1	..O-ring	
7	4700901390		1	..Shim T=0,3 mm	
8	4700901389		2	..Shim T=0,1 mm	
9	4700938042		1	..Retaining ring	
10	4700938041		1	..Back-up plate	
11	4700901386		1	..Bearing	
12	4700937260		1	..Bearing ring	
13	4700901385		1	..Bearing	
14	4700938040		1	..Shaft	
15			1	..Rotary group, hydr.section	
16			1	..Washer	
17			1	..Retaining plate	
18			7	..Screw	
19			1	..Pin	
20			1	..Spring	
21			1	..Spring collar	
22			7	..Piston	
			1	...Piston	
23			2	...Sealing ring	
24			1	..Cylinder	
25			1	..Pressure plate	
26			1	..Washer	
27	4700937995		1	..Screw	
28	4700937256		1	..Housing	
29	4700937258	1	1	..O-ring	
30	4700937257		1	..Plate	
31	4700902655		2	..Screw	
32	4700927350		4	..Screw	
33	4700937993		1	..Pin	
34	4700937259	1	1	..Screw	
35	4700937674		1	..Seal kit	

1) Included in seal kit, item 35

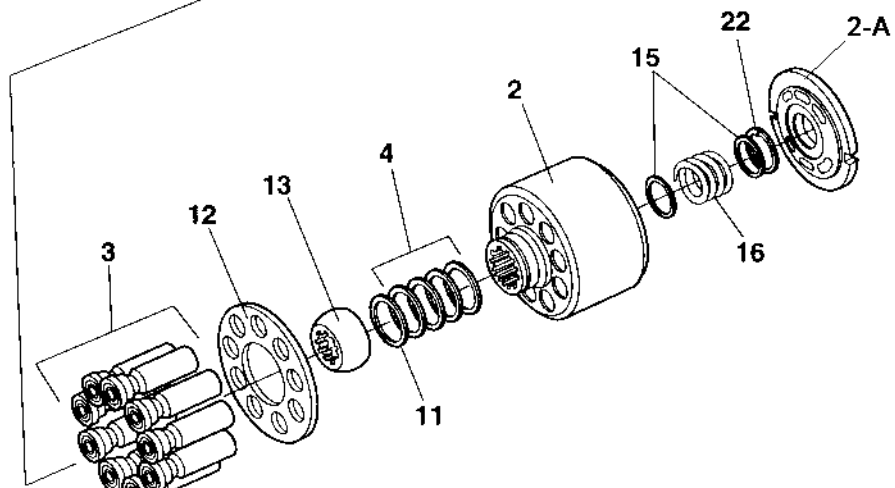
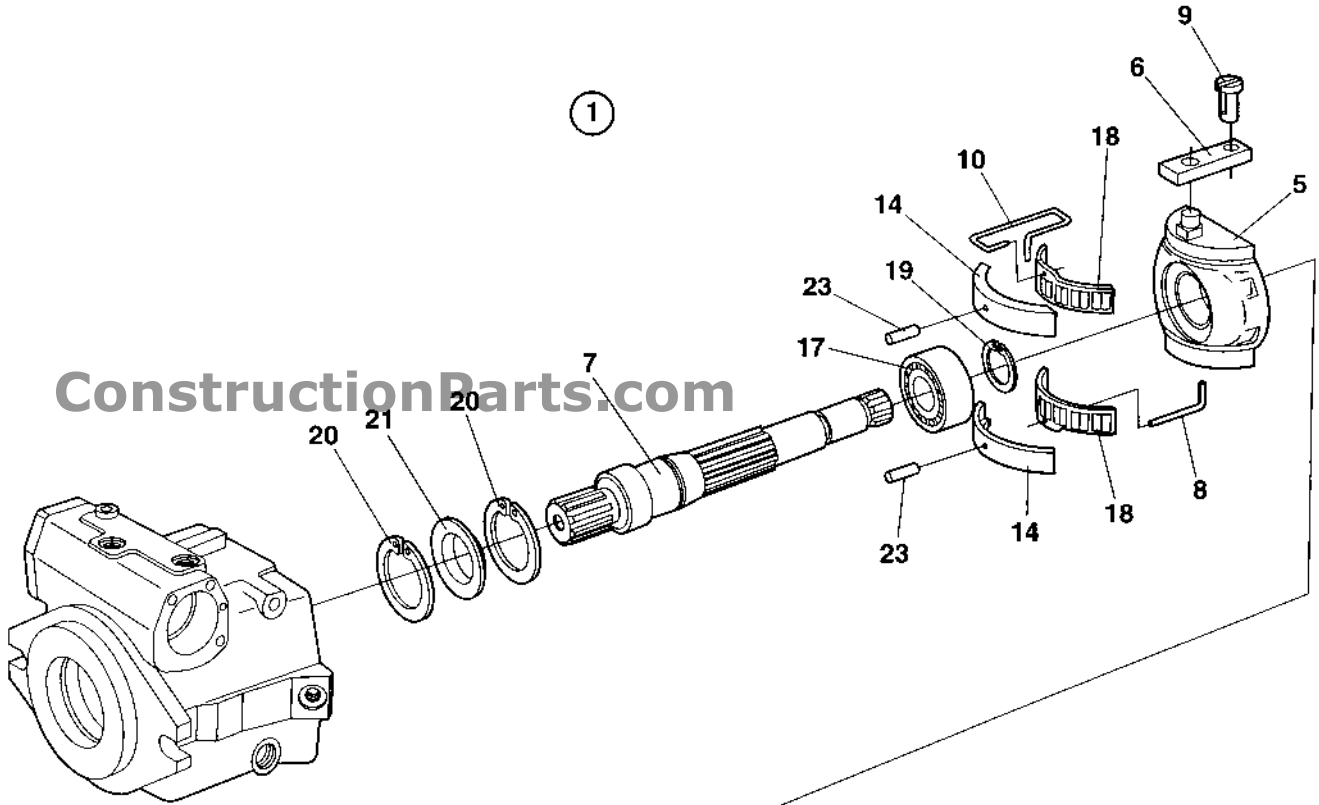
ConstructionParts.com

888-634-4289



4700383958 Vibration pump

Item	Part No	Rem Qty	Description	Code
1		1	Vibration pump	
	4700940675	1	.Seal kit	
2	4700937167	1	.Rotary group, cpl (Page 86)	
3	4700937168	1	.Valve block, cpl (Page 88)	
4	4700937986	1	.Housing	
5	4700935158	1	.Pin	
6	4700935219	1	.Plug	
7	4700902724	1	.Plug	
8	4700936803	5	.Plug	
9	4700909514	2	.Pin	
10	4700936308	2	.Orifice	
11	4700902624	1	.Screw	
12	4700902687	1	.Pin	
13	4700902695	1	.Nut	
14	4700940507	1	.Control valve, cpl	
15		1	..Housing	
16	4700945775	1	..Piston	
17	4700945776	2	..Spring collar	
18	4700936686	2	..Spring	
19		1	..Gasket	
20		2	..Pin	
22	4700936307	1	..Double break-off pin	D
23	4700927358	3	..Screw	
24	4700908383	2	..Screw	
25		1	..O-ring	
26	4700940505	2	..Solenoid	
28		1	..Socket	
29		1	..Socket	
30	4700937985	1	.Hydraulic control	
31	4700937998	1	..Cover	
32	4700937999	1	..Cover	
33	4700938003	2	..Guide ring	
34	4700937195	2	..Pin	
35	4700936340	1	..Nut	
36	4700902856	8	..Screw	
38	4700938004	2	..O-ring	
39	4700936393	2	..Seal lock nut	
40	4700938005	1	..Piston	
41	4700937198	1	..Rod	
42		2	..Ring	
43	4700938014	2	..Sleeve	
44	4700937199	2	..Spring collar	
45	4700936648	2	..Spacer ring	
46	4700937531	2	..Spring, outer	
	4700937200	2	..Spring, inner	
47	4700937201	2	..Spring collar	
48	4700939167	2	..Retaining ring	
49	4700938001	2	..O-ring	
50	4700909469	1	..O-ring	
51	4700939173	4	.Screw	
52	4700935192	1	.O-ring	
54		1	.Cover	

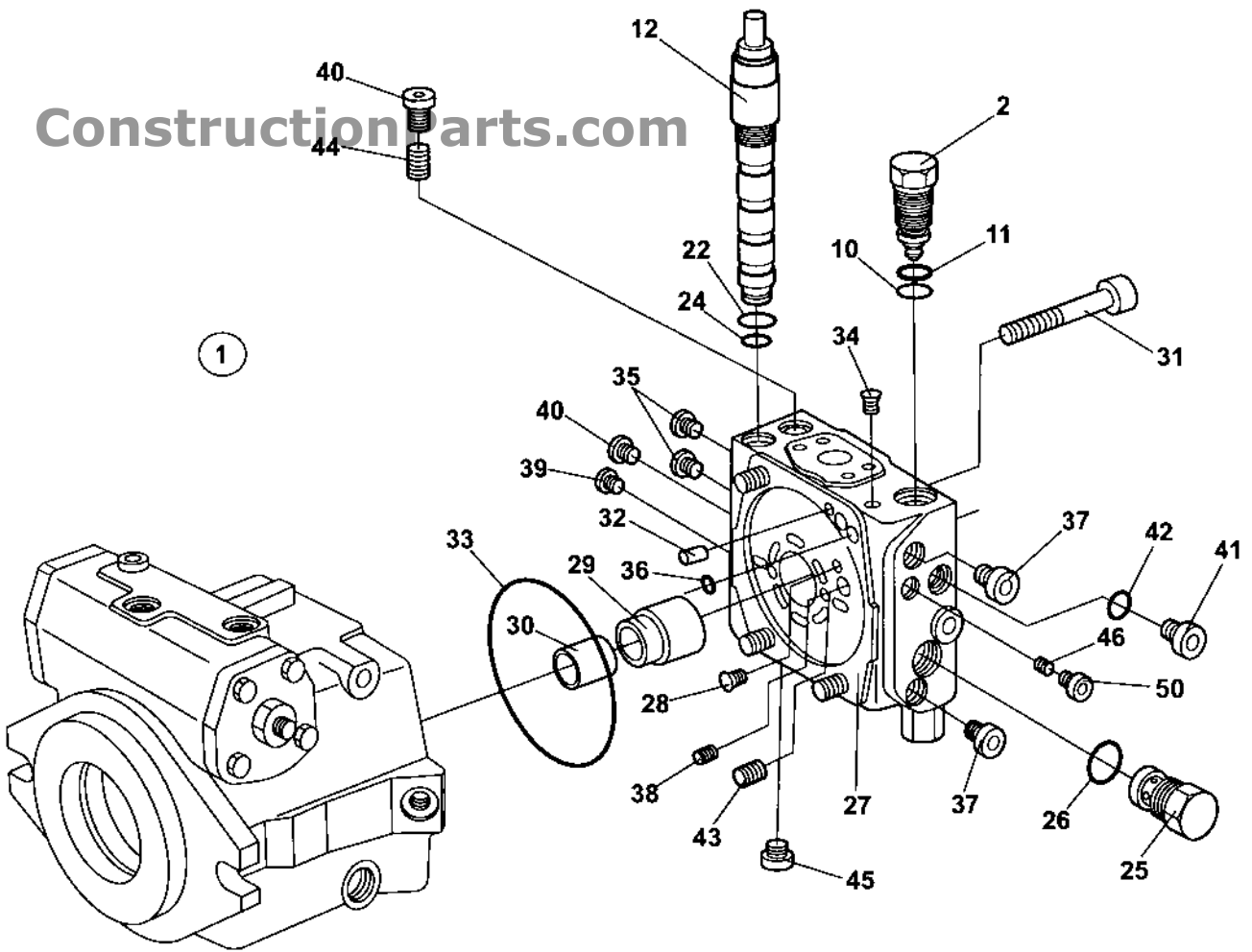


4700937167 Rotary group, cpl

Item	Part No	Rem	Qty	Description	Code
1			1	Rotary group, cpl	
2	4700937170		1	.Cylinder with control plate	
2-A	4700940308		1	..Control plate	
3	4700937171		9	.Piston	
4	4700937172		1	.Cup springs, cpl	
5	4700937173		1	.Cradle	
6	4700937174		1	.Slide ring	
7	4700908367		1	.Shaft	
8	4700936621		1	.Wire	
9	4700935164		1	.Pin	
10	4700937175		1	.Wire	
11	4700937176		1	.Shim	
12	4700937180		1	.Retaining plate	
13	4700937181		1	.Retaining ball	
14	4700937182		1	.Bearing liner, 1 pair	
15	4700937183		2	.Washer	
16	4700937184		1	.Spring	
17	4700937185		1	.Bearing	
18	4700937186		1	.Cradle bearing assembly, 1 set	
19	4700937187		1	.Retaining ring	
20	4700937188		2	.V-ring	
21	4700937189		1	.Seal ring	
22	4700937190		1	.Retaining ring	
23	4700902792		2	.Pin	

ConstructionParts.com

888-634-4289



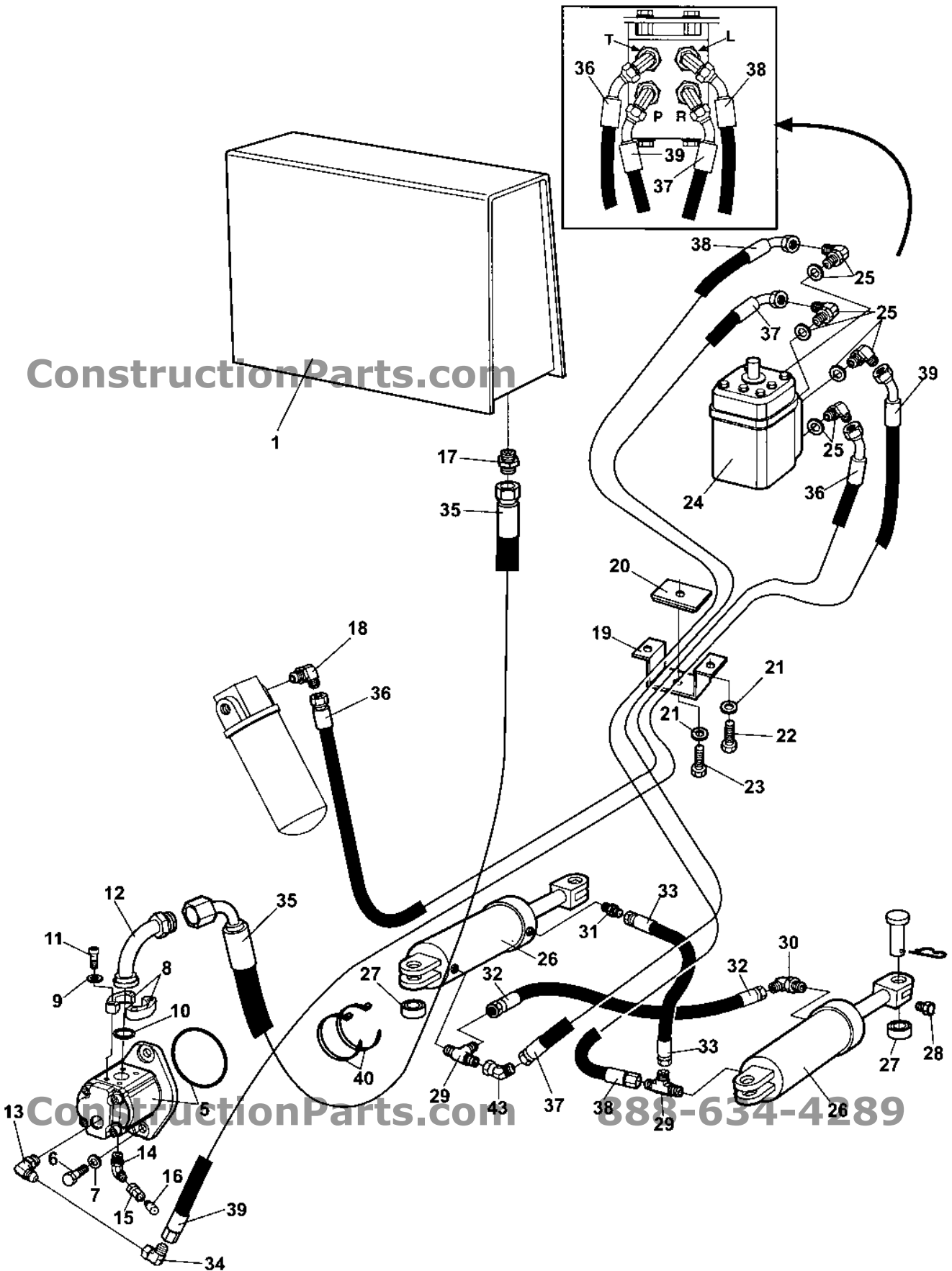
4700937168 Valve block, cpl

Item	Part No	Rem	Qty	Description	Code
1			1	Valve block, cpl	
2			2	.Relief valve 310 bar	
	4700935172		2	.Pressure relief valve 350 bar	D
			2	.Relief valve 380 bar	D
	4700937240		2	.Pressure relief valve 440 bar	
10	4700927278		1	..O-ring	D
11	4700936673		1	..Back-up ring	
12	4700908375		1	.Valve	
22	4700902783		1	..O-ring	D
24	4700936394		1	..O-ring	
25	4700936674		1	.Pin	
26	4700927278		1	.O-ring	D
27	4700937202	B	1	.Port plate	
	4812155765		1	.Port plate	
28	4700902735		1	.Pin	
29	4700937203		1	.Bush	
30	4700937204		1	.Bearing bushing	
31	4700937205		4	.Screw	
32	4700908384		2	.Pin	
33	4700937206		1	.O-ring	
34	4700909514		3	.Pin	
35	4700936370		2	.Locking screw	
36	4700909469		2	.O-ring	
37	4700902625		2	.Screw	
38	4700901742		1	.Pin	
39	4700902723		1	.Plug	
40	4700902811		3	.Plug	
41	4700902693		1	.Screw	
42	4700927278		1	.O-ring	D
43	4700902697		1	.Screw	
44	4700936613		1	.Locking screw	
45	4700936614		1	.Plug	
46	4700936313		1	.Orifice	
50	4700936370		1	.Locking screw	
	4700935212	A	1	.Pin	

- A) Used with Item 27; P/N 4812155765.
- B) Replaced by P/N 4812155765.

ConstructionParts.com

888-634-4289

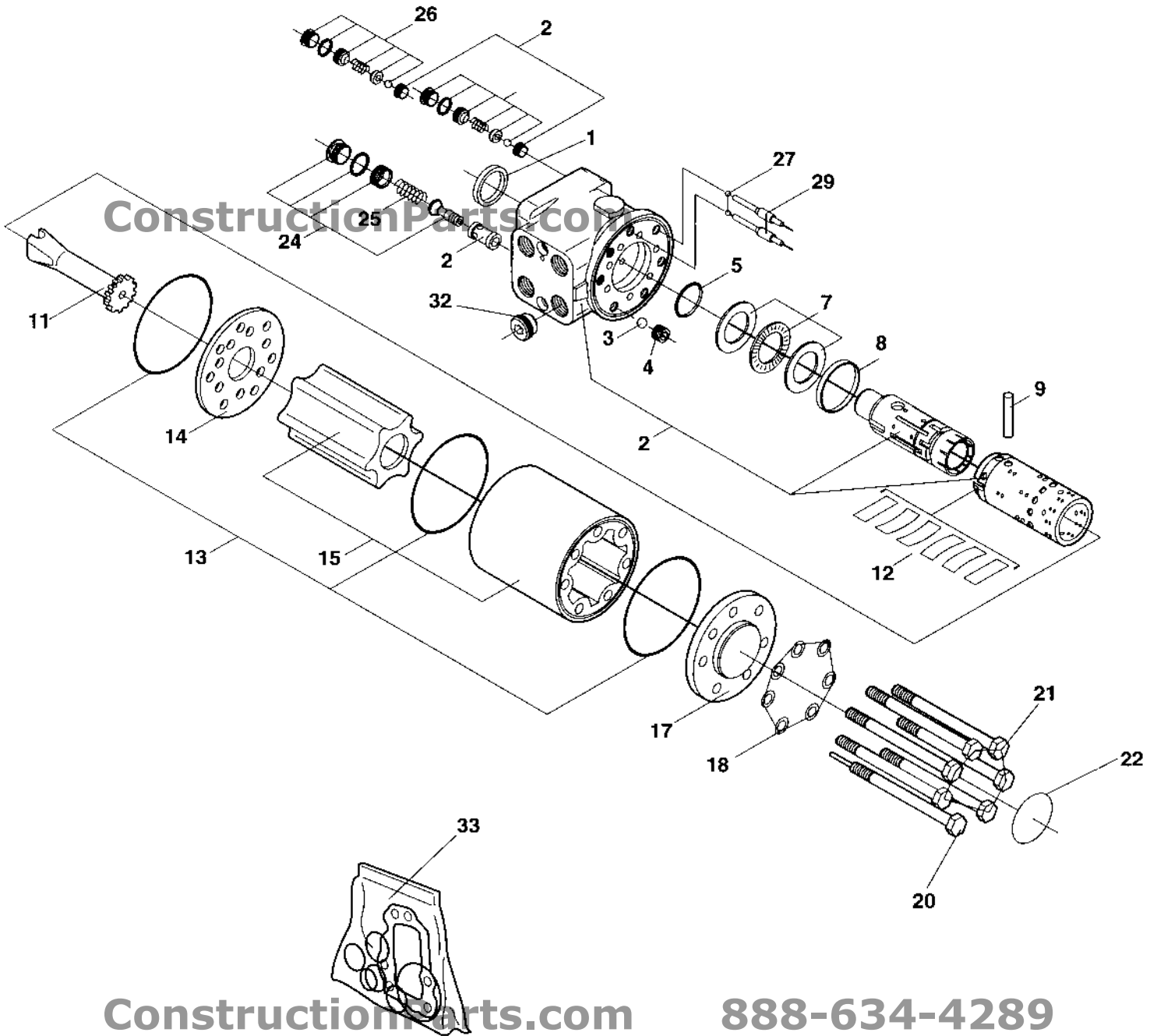


Steering system

Item	Part No	Rem Qty	Description	Code
1			Hydraulic oil tank	
5	4700394905	1	Steering pump	
6	4700500046	2	Screw M12x025H	C
7	4700904231	4	Steel plain washer	
8	4700232097	2	Flange half	C
9	4700904637	4	Washer	C
10	4700904005	1	O-ring	
11	4700508029	4	Screw M10-1,5x30H 8,8	C
12	4700379481	1	Connector	
13	4700334558	1	Elbow 90G with O-ring	
14	4700792237	1	Elbow 90, O-ring	
15	4700338304	1	Connector	C
16	4700910161	1	Measuring nipple	C
17	4700234626	1	Adapter	C
18	4700929123	1	Elbow 90, O-ring	C
19	4700372513	1	Hose clamp	
20	4700372514	1	Hose clamp	
21	4700904229	3	Washer 8,4x16x1,5	
22	4700500019	2	Screw M8x16H 8,8 A2K	C
23	4700500023	1	Screw M8-1,25x40 8,8	C
24	4700376000	1	Steering valve (Page 92)	
25	4700813444	4	Elbow 90, O-ring	
26	4700392002	2	Steering cylinder (Page 94)	C
27	4700379630	4	Radial spherical plain bearing	
28	4700500044	4	Screw M6x8	C
29	4700234218	2	Tee-connector	C
30	4700813500	1	Elbow 45, O-ring	C
31	4700334121	1	Straight connector	C
32	4700483109	1	Hydraulic hose	C
33	4700483109	1	Hydraulic hose	C
34	4700334197	1	Elbow 90 Up to 65X21500	C
35	4700483049	1	Hydraulic hose	
36	4700483498	1	Hydraulic hose	
37	4700483280	1	Hydraulic hose	
38	4700483497	1	Hydraulic hose	
39	4700483231	1	Hydraulic hose	C
40	4700313102	2	Cable ties	
43	4700234662	1	Elbow 45	C

ConstructionParts.com

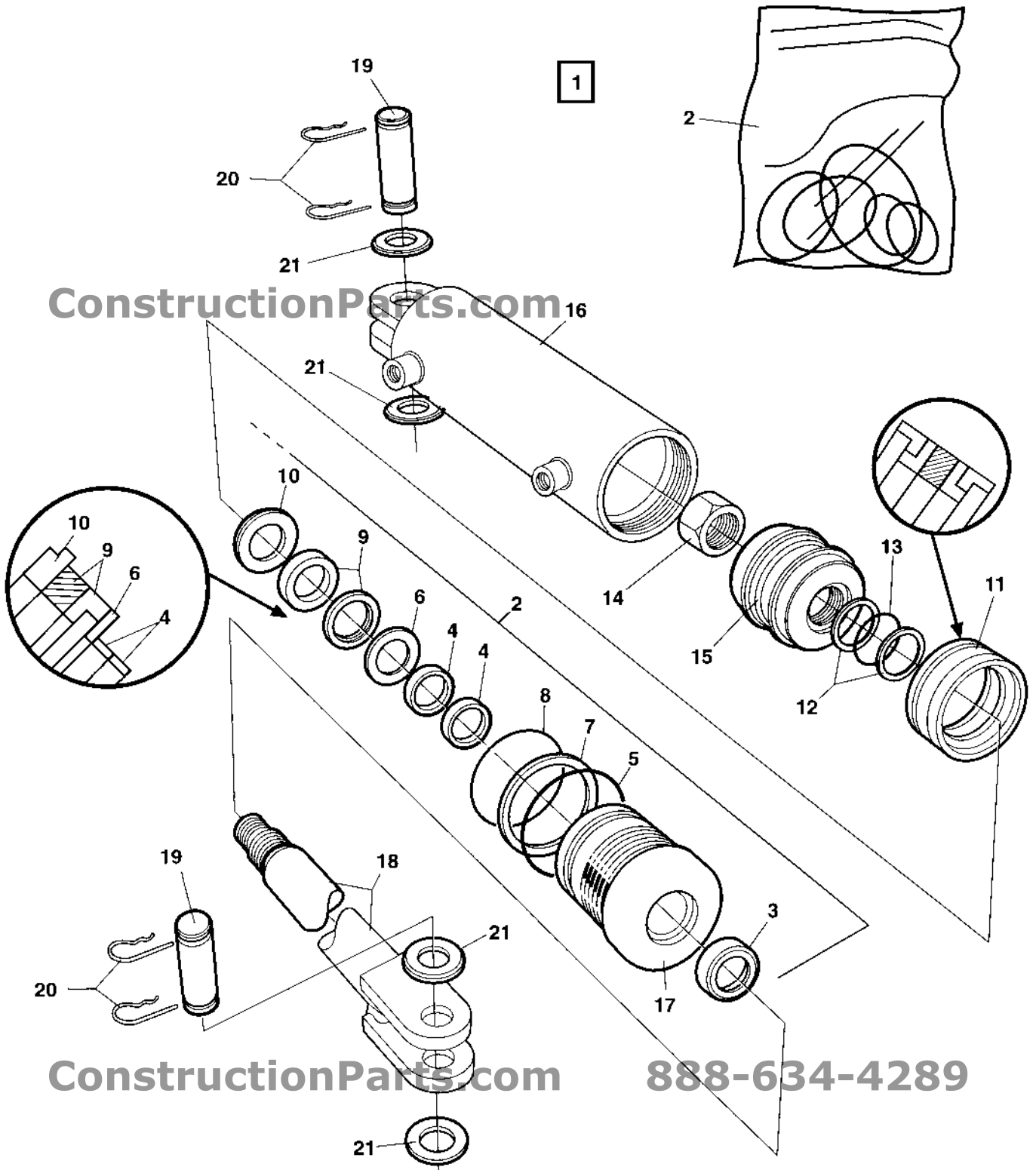
888-634-4289



4700376000 Steering valve

Item	Part No	Rem	Qty	Description	Code
1	4700938062	A	1	Dust seal ring	
2			1	Housing, spool and sleeve	
3	4700938063		1	Ball	
4	4700938064		1	Threaded bushing	
5	4700908780	A	1	O-ring	
7	4700911620		1	Bearing	B
8	4700938065		1	Ring	
9	4700938066		1	Cross pin	
11	4700902861		1	Cardan shaft	C
12	4700938067		1	Set of springs	
13	4700938068	A	3	O-ring	
14	4700902862		1	Valve plate	C
15	4700903457		1	Gear wheel set	
17	4700938069		1	End cover	
18	4700938070	A	7	Washer	
20	4700938071		1	Screw with pin	
21	4700935468		6	Spring washer	
22	4700938072		1	Name plate	
24	4700938073		1	Pressure relief valve	
25			1	Spring	
26	4700938074		2	Shock valve	
27	4700929013		2	Ball	D
29	4700929014		2	Rolled pin	C
32	4700938075		1	Check valve	
33	4700935429		1	Seal kit	

A) Included in seal kit, item 33



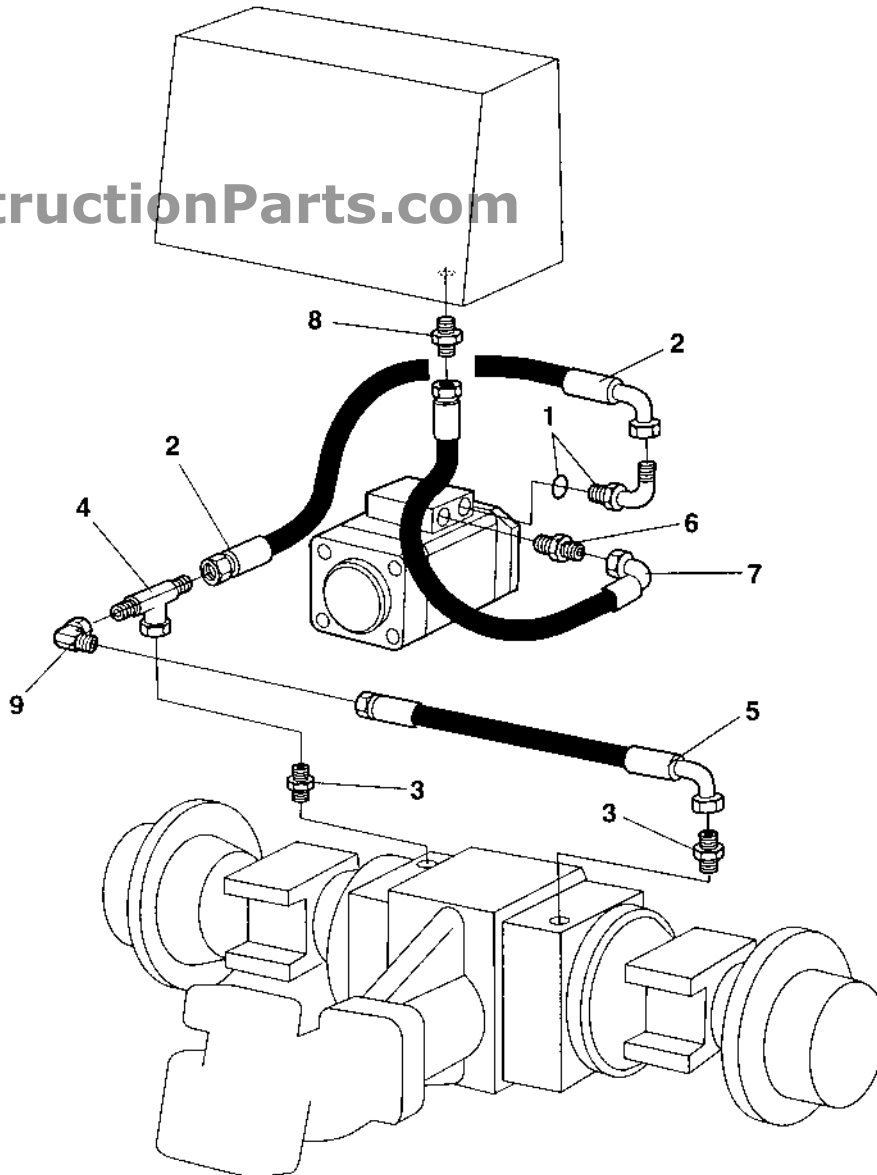
4700392002 Steering cylinder

Item	Part No	Rem Qty	Description	Code
1	4700392002	1	Steering cylinder (Page 94)	C
2	4700392100	1	.Seal kit	B
3		1	..Seal	B
4		2	..Seal	B
5		1	..O-ring	B
6		1	..Back-up ring	B
7		1	..Back-up ring	B
8		1	..O-ring	B
9		1	..Seal	B
10		1	..Retaining ring	B
11		1	..Seal	B
12		2	..Back-up ring	B
13		1	..O-ring	B
14		1	..Lock nut	B
15		1	.Piston block	B
16		1	.Cylinder	B
17		1	.Steering	B
18	4700392105	1	.Piston rod	C
19	4700392103	2	.Shaft	C
20	4700635061	4	.Hair clip	C
21	4700600016	4	.Washer 26x45x4	C

ConstructionParts.com

888-634-4289

ConstructionParts.com



ConstructionParts.com

888-634-4289

Brake system

Item	Part No	Rem Qty	Description	Code
1	4700334389	1	Connector	C
2	4700482056	1	Hydraulic hose	C
3	4700900552	2	Adapter	
4	4700234888	1	Tee-connector	
5	4700482399	1	Hydraulic hose	
6	4700234843	1	Adapter	
7	4700482474	1	Hydraulic hose	
8	4700334205	1	Straight connector	
9	4700334524	1	Connector	C

ConstructionParts.com

ConstructionParts.com

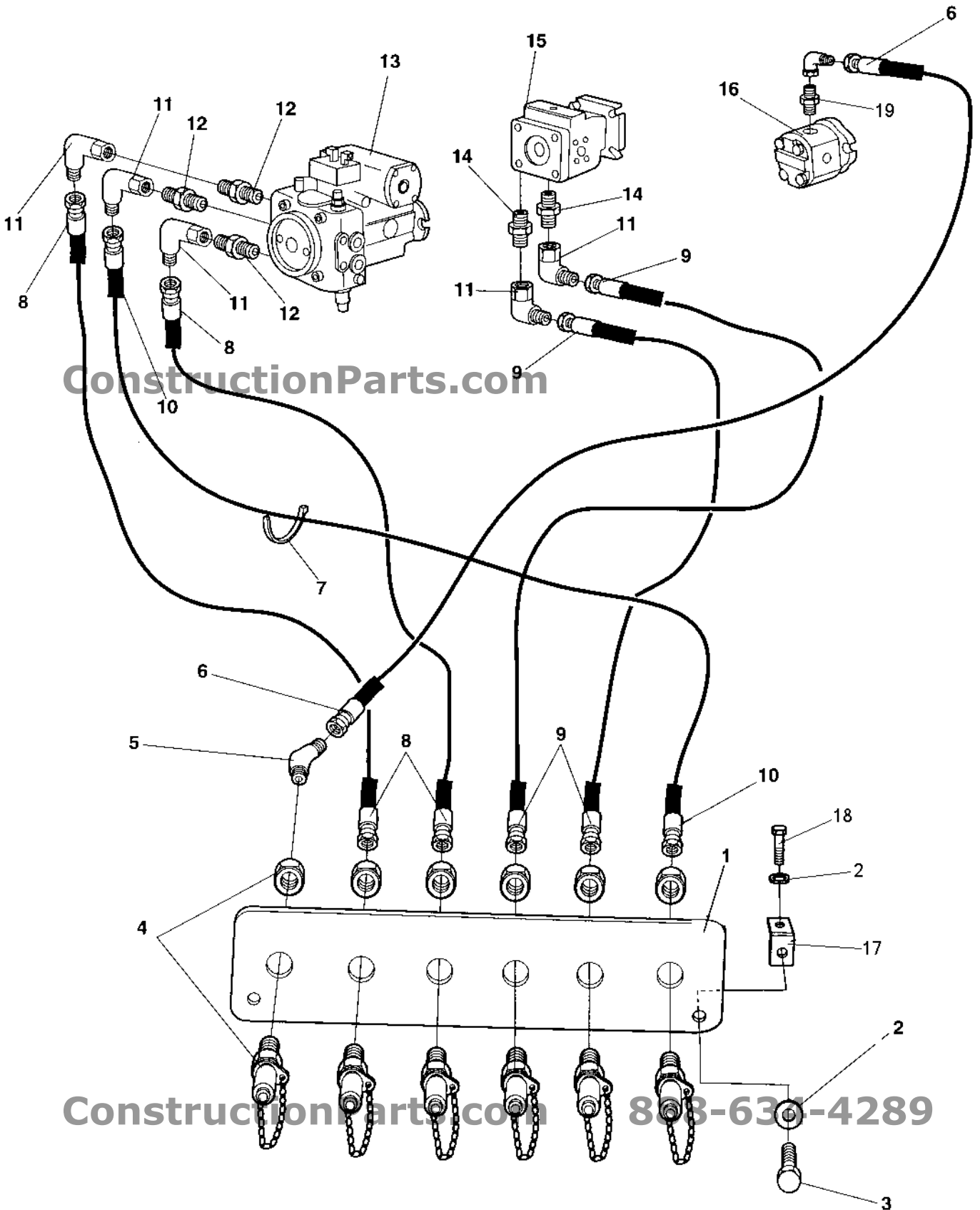
888-634-4289

Central test panel hydraulic Option

16988

ConstructionParts.com

888-634-4289



Central test panel hydraulic Option

Item	Part No	Rem Qty	Description	Code
1	4700374028	1	Test panel	
2	4700904229	4	Washer 8,4x16x1,5	
3	4700500053	2	Screw M8x20H 8.8	C
4	4700356348	6	Measuring nipple	D
5	4700234622	1	Elbow 45	C
6	4700484005	1	Hydraulic hose	
7	4700313102	N	Cable ties	
8	4700483445	2	Hydraulic hose	
9	4700483188	2	Hydraulic hose	
10	4700483445	1	Hydraulic hose	
11	4700334196	5	Elbow 90	C
12	4700902125	3	Connector	
13		1	Vibration pump	
14	4700234388	2	Connector	C
15		1	Propulsion pump	C
16		1	Steering pump	C
17	4700908136	2	Bracket	
18	4700500018	2	Screw M8-1,25x12 8,8	C
19		1	Connector	C

ConstructionParts.com

888-634-4289

ConstructionParts.com

888-634-4289

ConstructionParts.com

ConstructionParts.com

888-634-4289

Electric system

Item	Part No	Rem Qty	Description	Code
15			Electric system (Page 102)	
25			Control panel (Page 104)	
70			Rotating beacon Option (Page 106)	
80			Back-up alarm Option (Page 108)	
90			Compaction meter Option (Page 110)	

ConstructionParts.com

888-634-4289

ConstructionParts.com

888-634-4289

Electric system

18998-1

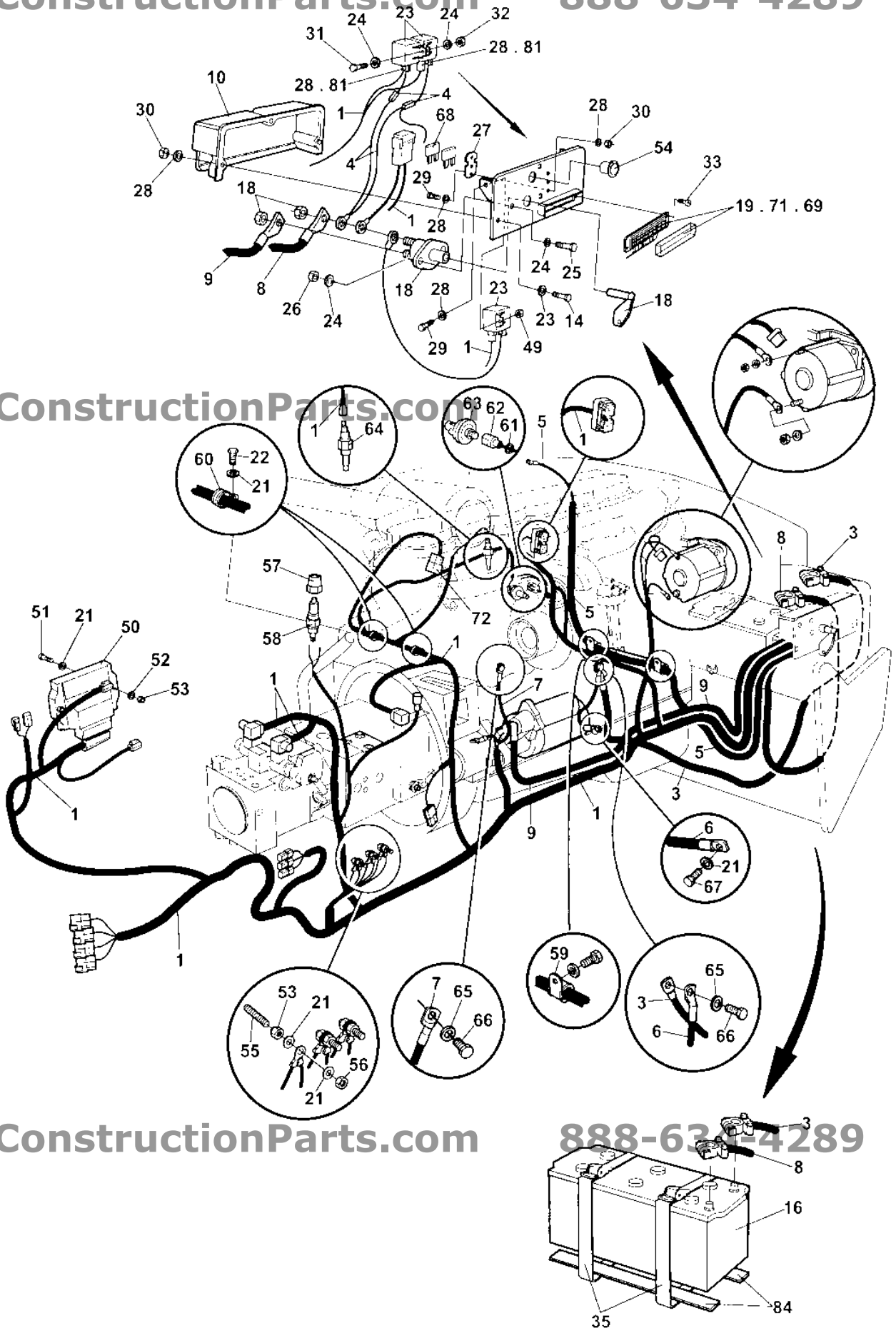
ConstructionParts.com

888-634-4289

ConstructionParts.com

ConstructionParts.com

888-634-4289



Electric system

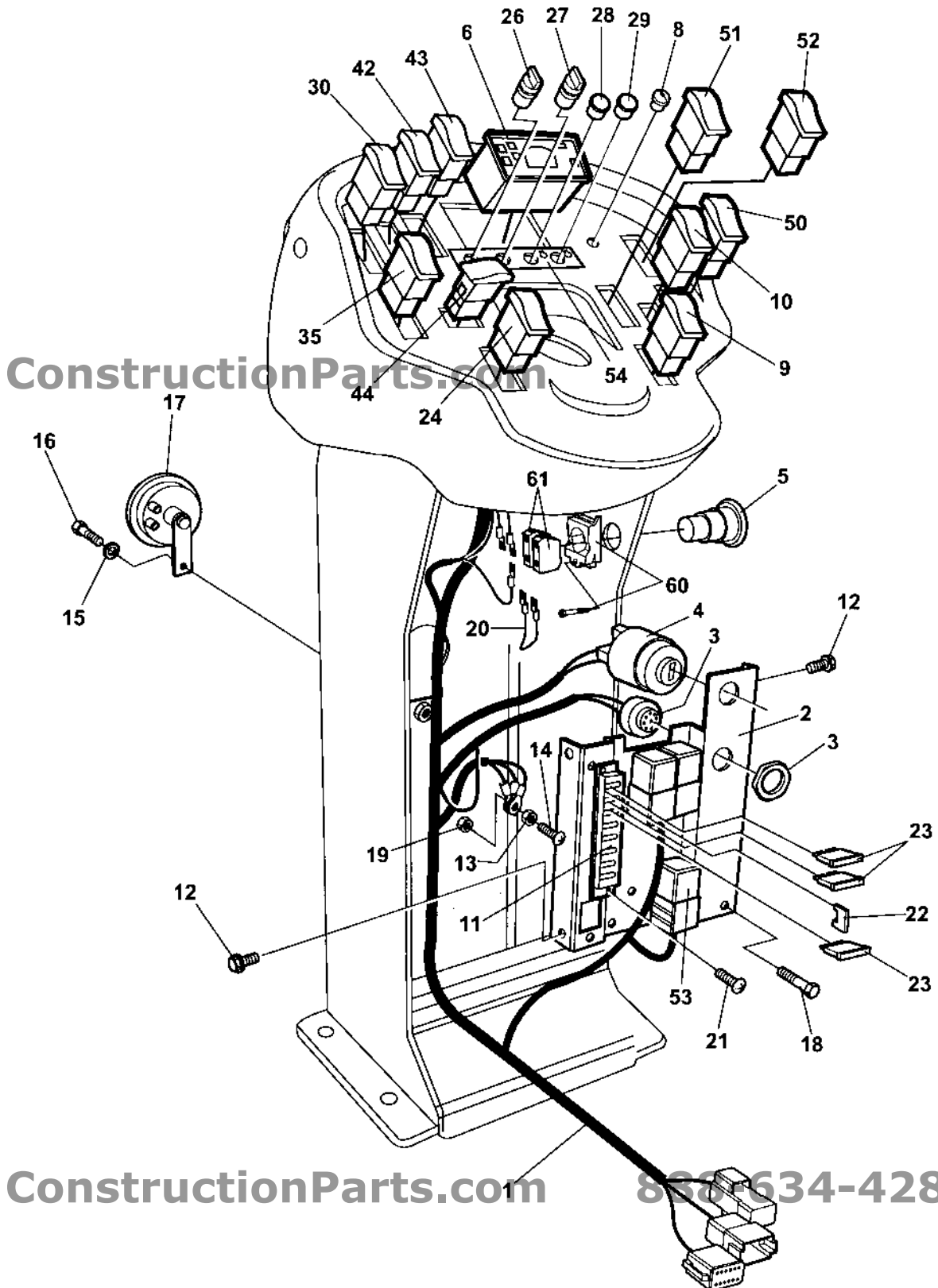
Item	Part No	Rem	Qty	Description	Code
1	4700397128	A	1	Cable harness	
3	4700904020		1	Battery cable	
4	4700387427	B	1	Cable harness	
	4700791477		2	.Fuse holder	
	4700791479		4	.Fuse, Orange 125A	
5	4700392937		1	Cable harness	
6	4700903760		1	Connection cable, coarse	
7	4700335607		1	Connection cable, coarse	B
8	4700791503		1	Battery cable	
9	4700904018		1	Connection cable, coarse	
10	4700373891		1	Cover	
14	4700500184		3	Screw M5-0,8x14 8,8	
16	4700792682		1	Battery	
18	4700903640		1	Battery switch	D
	4700903641		1	.Key	D
19	4700901230		1	Fuse 30A	
21	4700904229		11	Washer 8,4x16x1,5	
22	4700500053		2	Screw M8x20H 8,8	C
23	4700791183		3	Relay	D
24	4700904228		8	Washer 6,4x12x1,5	
25	4700500013		2	Screw M6-1x16 8,8	C
26	4700570004		2	Nut M6X1,00 -8 A2K	
27	4700904036		1	Fuse holder	D
28	4700904281		16	Washer 5,3x10x1 300HV	C
29	4700500060		4	Screw M5-0,8x20 8.8	C
30	4700586001		5	Lock nut	C
31	4700500075		2	Screw M6-1,0x25 8.8	
32	4700586002		2	Lock nut M6 -8	
33	4700901767		2	Screw ST3,5x9,5 Black	
35	4700389662		2	Strap	
49	4700902284		2	Nut M5	C
50	4700378745		1	Control unit, ECU	
51	4700500025		2	Screw M8-1,25x50 8,8	C
52	4700904556		2	Washer 8,4x16x3,0	
53	4700586003		5	Lock nut M8	C
54	4812110560		1	Power socket 12V	
55	4700903768		3	Threaded stud	C
56	4700570005		3	Nut M8	C
57	4700813434		1	Reducer	
58	4700903631		1	Temperature sensor Hydraulic oil	B
59	4700960727		2	Clamp	
60	4700921072		2	Clamp	
61	4700902468		1	Connector	
62	4700338304		1	Connector	C
63	4700813462		1	Oil pressure sender	D
64	4700903632		1	Temperature sensor Engine	
65	4700904231		2	Steel plain washer	
66	4700500051		2	Screw M12x25H 8.8 A3K	C
67	4700500019		1	Screw M8x16H 8.8 A2K	C
68	4700904038		1	Fuse 40A	A
69	4700791185		2	Fuse box	
71	4700901227		1	Fuse 10A	A
72	4700929023		1	Indicator	B
75	4700313041	N		Cable ties	
79	4700904780		1	Hose clamp	
81	4700500004		4	Screw M5 0,8x12 8,8	C
84	4812110818		2	Rubber cloth	
90				Not valid for this model	

A) Main cable harness
B) Pre-heater

Control panel

18887 ConstructionParts.com

888-634-4289



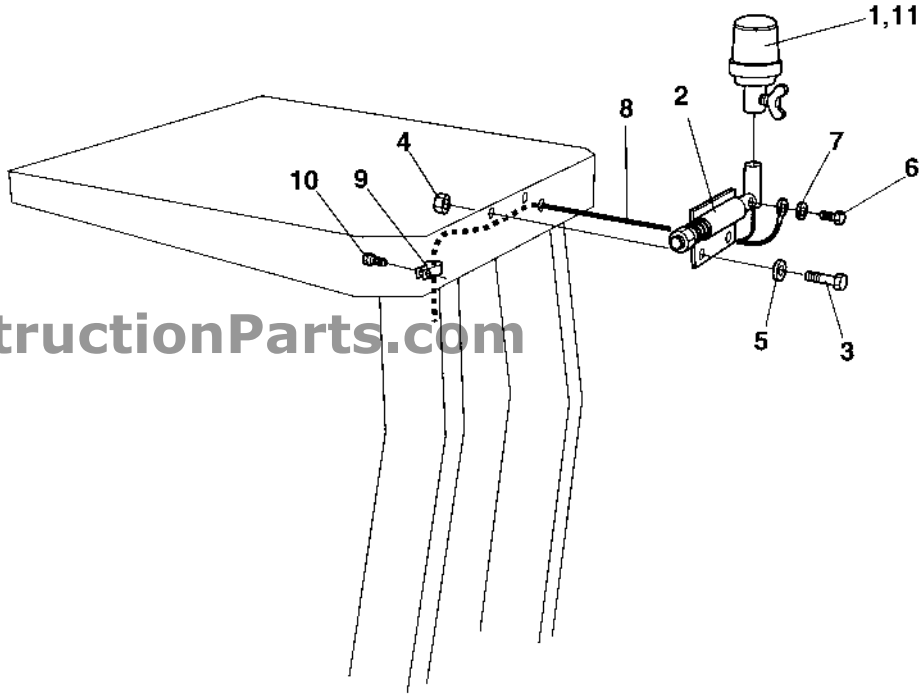
Control panel

Item	Part No	Rem	Qty	Description	Code
1	4700396968	B	1	Cable harness	
2	4700387683		1	Distribution control plate	
3	4700385599		1	Buzzer	B
4	4700238158		1	Ignition switch	
	4700940451		1	.Key	
5	4700791739		1	Emergency stop	
6	4700392996		1	Control panel	
8	4700792083	N		Plug	
9	4700792414		1	Switch, RPM	
10	4700792461		1	Switch, vibration	
11	4700791185		1	Fuse box	
12	4700903782		4	Screw M5x12	C
13	4700570004		3	Nut M6X1,00 -8 A2K	
14	4700500075		1	Screw M6-1,0x25 8.8	
15	4700904229		1	Washer 8,4x16x1,5	
16	4700500053		1	Screw M8x20H 8.8	C
17	4700999027		1	Horn	B
18	4700500075		1	Screw M6-1,0x25 8.8	
19	4700586002		1	Lock nut M6 -8	
20	4700343550		1	Connection cable	B
21	4700901767		2	Screw ST3,5x9,5 Black	
22	4700791211	N		Contact bridge	
23	4700901228	N		Fuse 15A	A
	4700901227	N		Fuse 10A	A
	4700901225	N		Fuse 5A	A
24	4700791582		1	Switch, parking brake	
26	4700792317		1	Switch	
27	4700792318		1	Switch	
28	4700792435		1	Pilot lamp Red	
	4700792432		1	Illuminated block red	
29	4700792319		1	Pilot lamp Yellow	
	4700792315		1	Illuminated block yellow	
30	4700791587	A	1	Switch, working light	
35	4700791585	A	1	Switch, rotating beacon	
42	4700791583	A	1	Switch, driving light	
43	4700791584	A	1	Switch, hazard flashers	
44	4700792413	A	1	Switch, drive direction	
50	4700791588		1	Panel plug	
	4700792463	A	1	Switch, Power distribution	
51	4700791578		1	Switch, horn	
52	4700792462	A	1	Switch, TC & TM	
	4700791657		1	Switch, Hi-Lo Speed	
53	4700903956	A	1	Relay	A
54	4700394061		1	Decal	
60	4700791733		1	Fixing collar	C
61	4700791723		2	Connector	

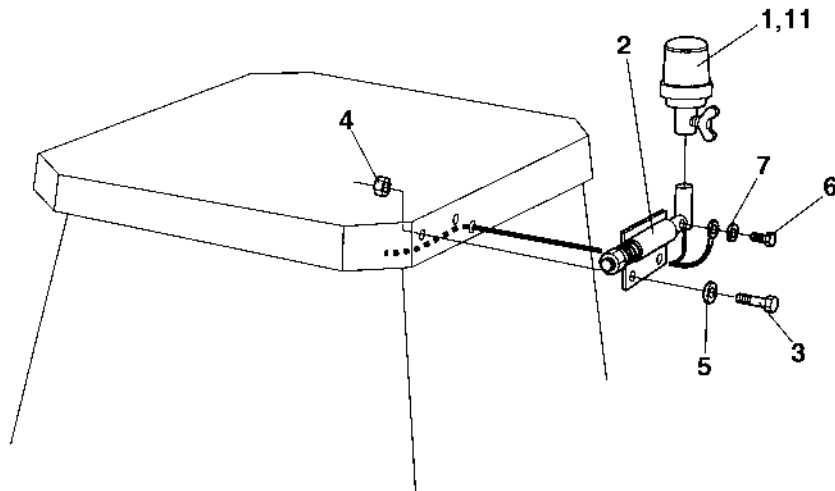
- A) Option
- B) Control panel

ConstructionParts.com

888-634-4289



ConstructionParts.com



ConstructionParts.com

888-634-4289

Rotating beacon

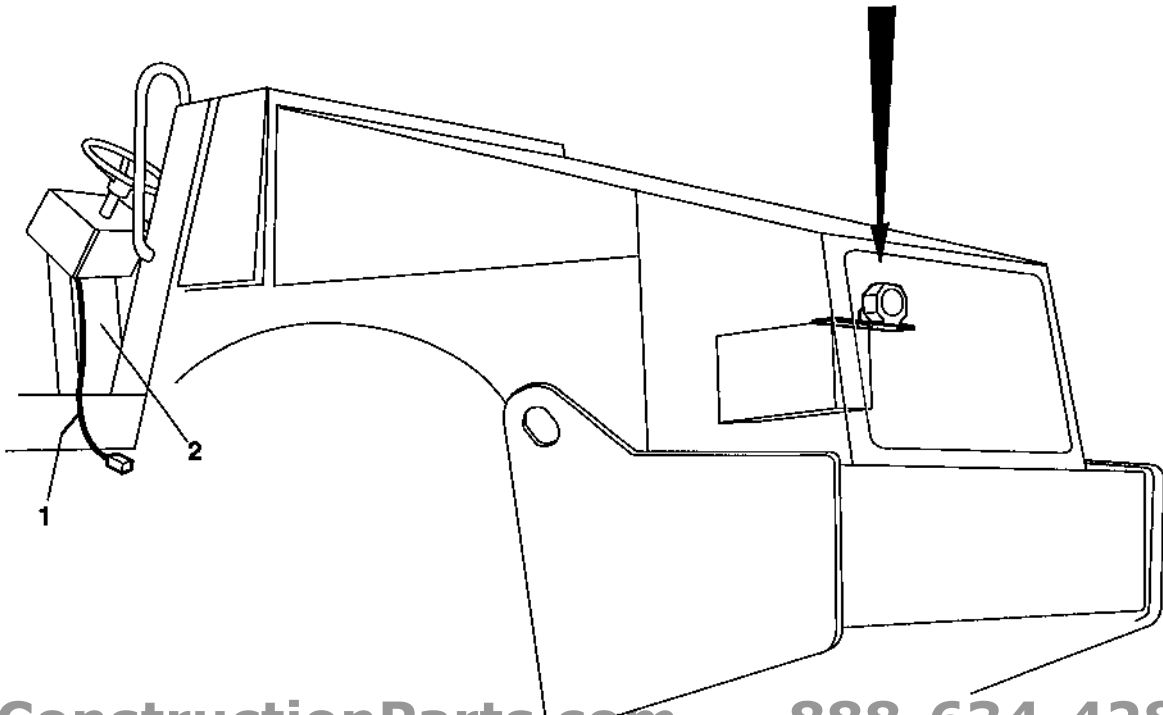
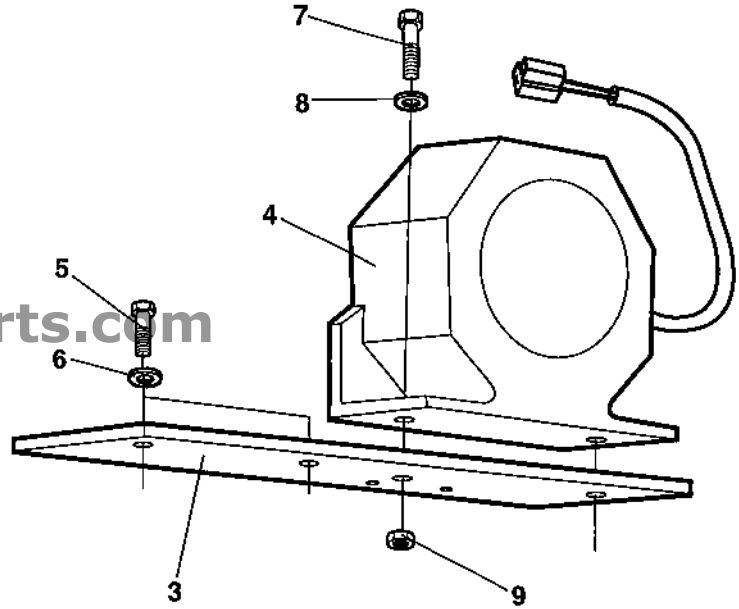
Option

Item	Part No	Rem	Qty	Description	Code
1	4700999011	1	1	Rotating beacon	B
2	4700358452		1	Lamp holder	D
3	4700500021		2	Screw M8-1,25x25 8.8	
4	4700586003		2	Lock nut M8	C
5	4700904229		4	Washer 8,4x16x1,5	
6	4700500013		1	Screw M6-1x16 8,8	C
7	4700904228		1	Washer 6,4x12x1,5	
8	4700392773		1	Cable harness	
9	4700921039		1	Pipe clamp	C
10	4700541702		1	Screw M6x12	C
11	4700389577	2	1	Rotating beacon	D

- 1) Is replaced by item 11, P/N 4700389577.
- 2) Replaces item 1, P/N 4700999011.

ConstructionParts.com**888-634-4289**

ConstructionParts.com



ConstructionParts.com

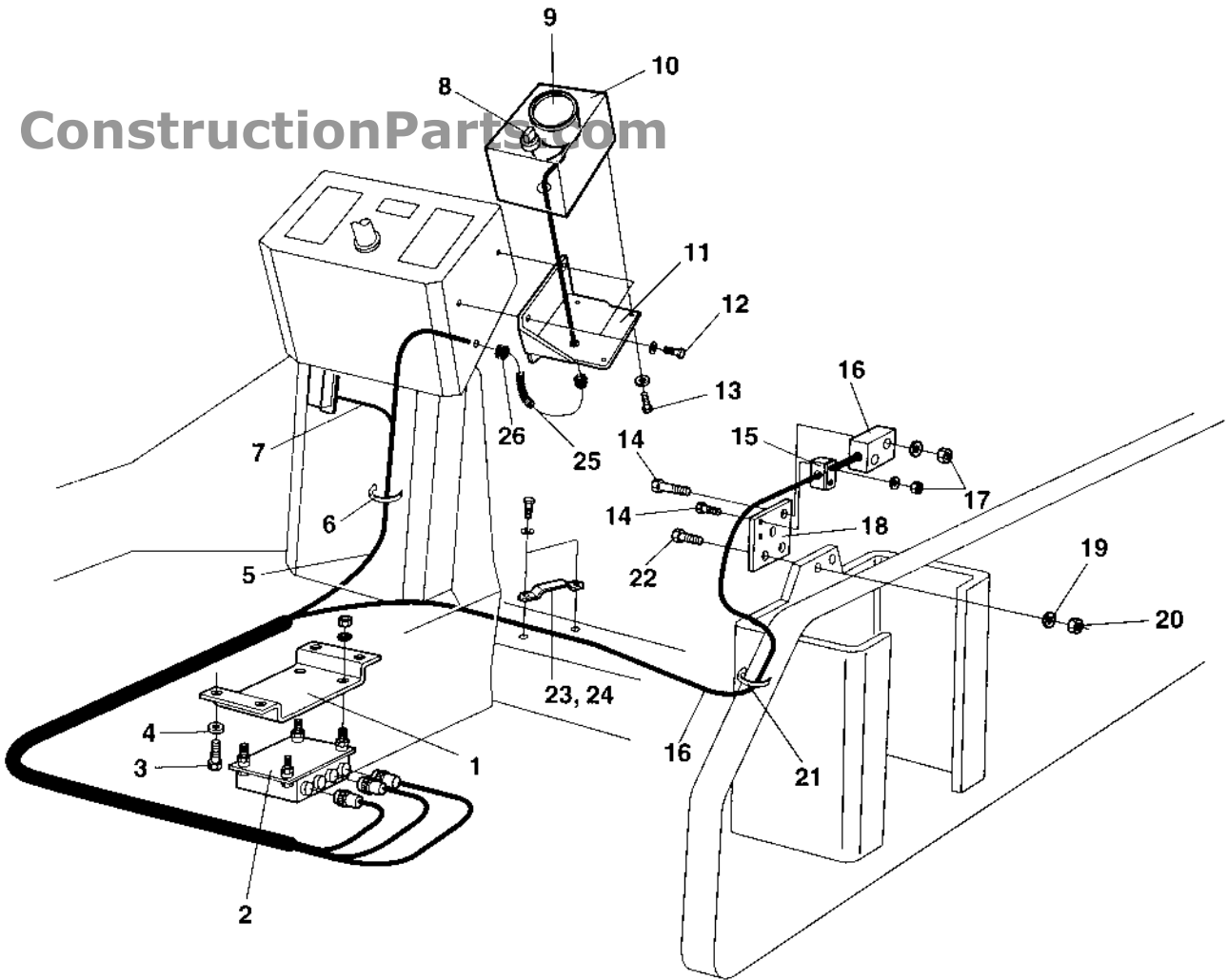
888-634-4289

Back-up alarm Option

Item	Part No	Rem	Qty	Description	Code
1	4700380798	A	1	Cable harness	
2	4700901224	B	1	Fuse 3A	A
3	4700377071		1	Bracket	
4	4700904910		1	Back-up alarm	
5	4700500053		2	Screw M8x20H 8.8	C
6	4700904229		2	Washer 8,4x16x1,5	
7	4700500040		2	Screw M6-1x20 8,8	C
8	4700904228		2	Washer 6,4x12x1,5	
9	4700902285		2	Nut	C

- A) Is connected to the main wiring harness.
B) Located in the fusebox on the control panel.

ConstructionParts.com**ConstructionParts.com****888-634-4289**



Compaction meter Option

Item	Part No	Rem	Qty	Description	Code
1	4700372836		1	Bracket	
2	4700388210		1	Processor comp.meter	
3	4700500053		4	Screw M8x20H 8.8	C
4	4700904229		4	Washer 8,4x16x1,5	
5	4700372784		1	Cable harness	
6	4700313102		N	Cable ties	
7	4700381351		1	Cable harness	
8	4700930151		1	Switch	B
9	4700383452		1	Compaction meter	
10	4700373096		1	Instrument box	
11	4700393543		1	Bracket	
12	4700904206		3	Screw	C
13	4700541526		4	Screw	
14	4700500079		4	Screw M6-1x50 8,8	
15	4700902496		1	Clamp	
16	4700348213		1	Sensor, cpl	
17	4700902285		7	Nut	C
18	4700373140		1	Bracket	
19	4700904231		2	Steel plain washer	
20	4700902288		2	Nut M12	
21	4700313041		N	Cable ties	
22	4700500194		2	Screw	C
23	4700373016		1	Hose clamp	
24	4700349435		1	Rubber part	
25	4700901190	A	1	Conduit	
26	4700903192		2	Grommet	

A) L=230mm

ConstructionParts.com

888-634-4289

ConstructionParts.com

ConstructionParts.com

888-634-4289

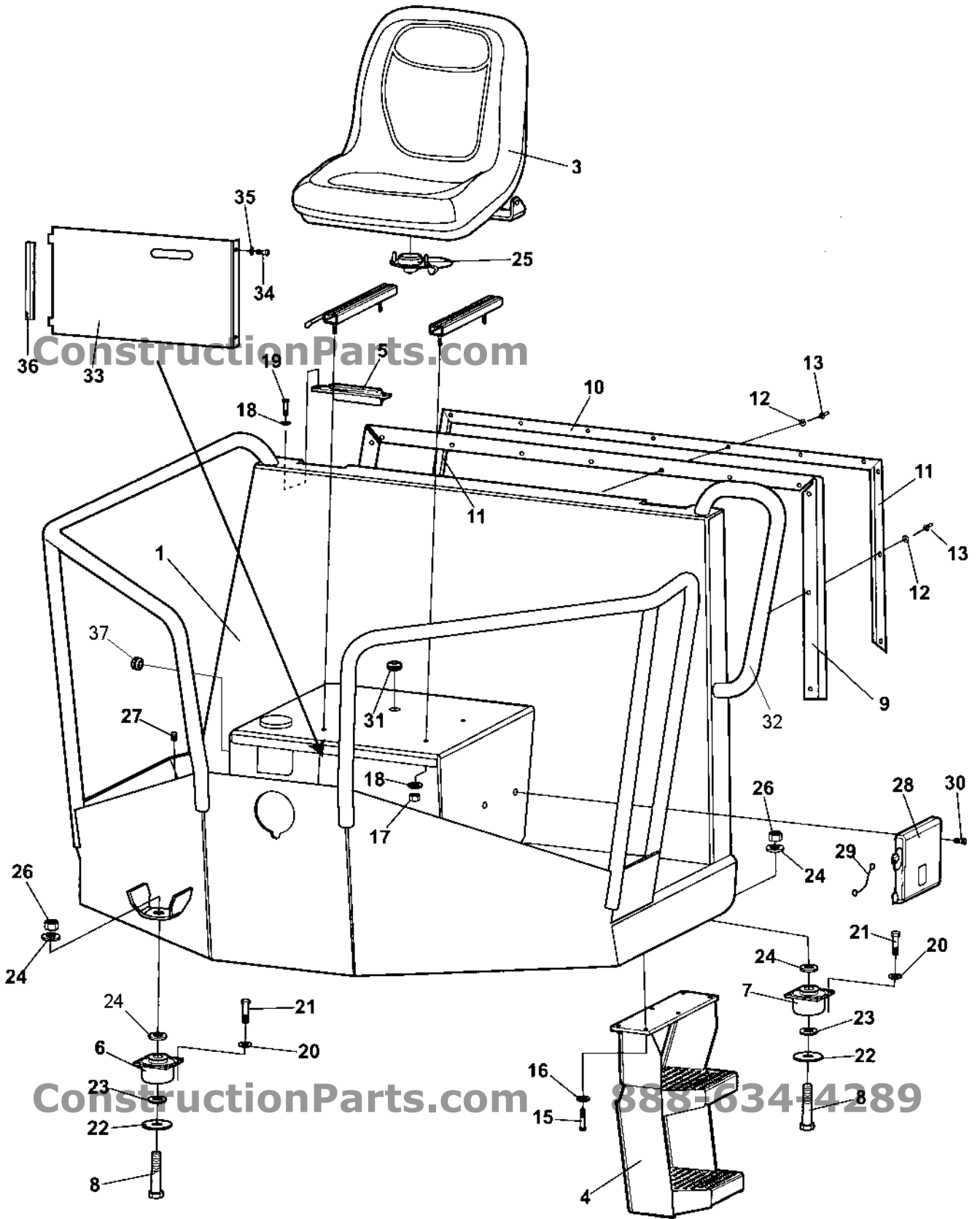
Drivers platform

Item	Part No	Rem Qty	Description	Code
10			Drivers platform (Page 114)	
20			Control panel (Page 116)	
40			Forward and reverse control (Page 118)	
52			Steering column (Page 122)	
100			Canopy Option (Page 124)	
110			Rops and fops (Page 126)	
120			Cab mounting (Page 128)	
130			Cab 392479 (Page 130)	

ConstructionParts.com

ConstructionParts.com

888-634-4289



Drivers platform

Item	Part No	Rem	Qty	Description	Code
1	4700392394		1	Platform	
3	4700377556		1	Drivers seat, cpl	
	4700377518	E	1	Drivers seat, cpl	D
	4700348331		1	Seat cover	D
4	4700376252		1	Step	
5	4700380727		2	Cover	
6	4700372757		2	Shock absorber	D
7	4700373400		2	Shock absorber	D
8	4700500210		4	Screw M20-2,5x100 8.8	
9	4700372494	A	1XL	Rubber strip	
10	4700372785		1	List	
11	4700382582		2	List	
12	4700927974		13	Washer	
13	4700904433		13	Blind rivet	
15	4700500029		4	Hexagon head screw	C
16	4700904230		4	Steel plain washer	
17	4700586003		4	Lock nut M8	C
18	4700904229		8	Washer 8,4x16x1,5	
19	4700500053		4	Screw M8x20H 8.8	C
20	4700904231		16	Steel plain washer	
21	4700500195		16	Screw	C
22	4700347512		4	Washer	
23	4700903290		4	Washer 21x36x6	
24	4700904233		8	Steel plain washer	
25	4700379636	C	1	Seat switch	
	4812155075	D	1	Seat switch	
26	4700901145		4	Lock nut M20-10	
27	4700902203		2	Plug	C
28	4700383705		1	Instruction book holder	D
29	4700357643		1	Wire	D
30	4700791226		4	Screw	C
31	4700903192		1	Grommet	
32	4700380123		1	Grab handle	
33	4700392875		1	Cover	
34	4700500013		2	Screw M6-1x16 8,8	C
35	4700904228		2	Washer 6,4x12x1,5	
36	4700902166	B	1XL	Edge trim	D
37	4700903727		1	Plug	

- A) L=2,400M
- B) L=0,210M
- C) With bayonet fitting.
- D) With screws.
- E) Option

ConstructionParts.com

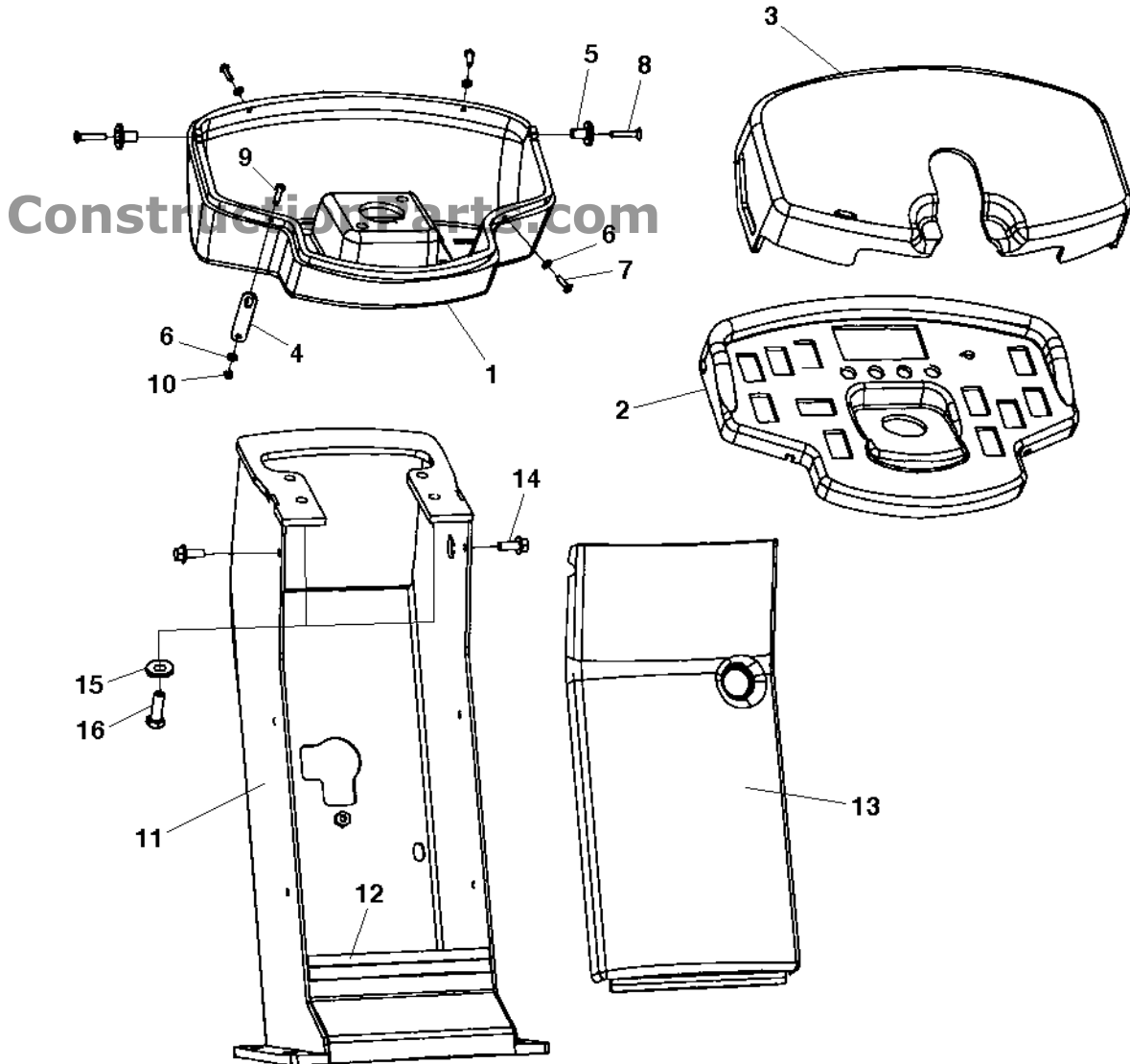
888-634-4289

Control panel

18487

ConstructionParts.com

888-634-4289



ConstructionParts.com

888-634-4289

Control panel

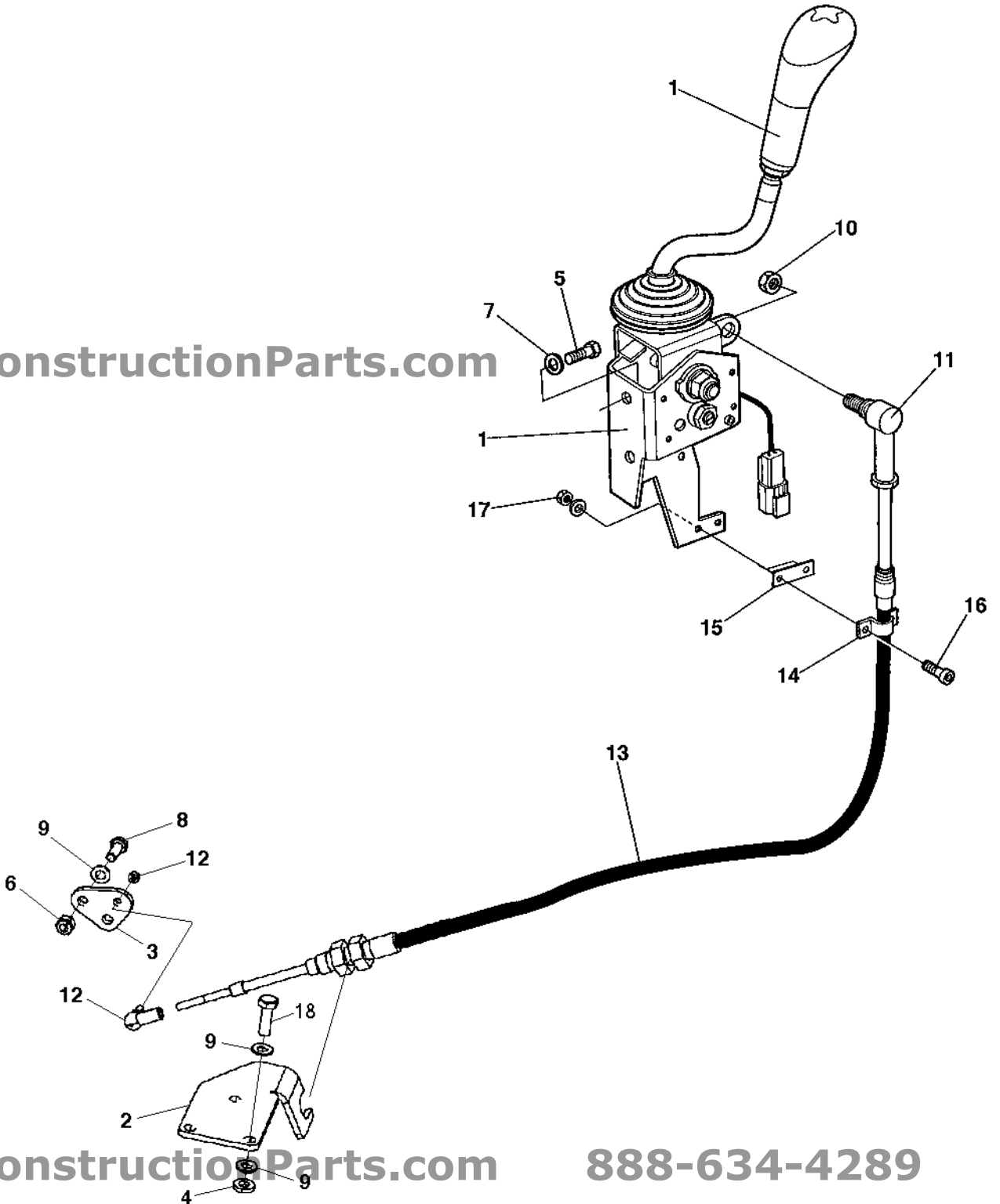
Item	Part No	Rem	Qty	Description	Code
1	4700387720		1	Control panel holder	
2	4700391784		1	Control panel	
3	4700387227		1	Control panel cover	
4	4700387545		1	Latch	
5	4700357855		2	Bushing	C
6	4700904281		4	Washer 5,3x10x1 300HV	C
7	4700904653		3	Screw M5x16 A2-70	C
8	4700513017		2	Screw M6x30H 10,9	
9	4700500007		1	Screw M5-0,8x22H 8,8	
10	4700791476		1	Nut M5 -8	
11	4700378335		1	Control panel column	
12	4700902166	A	1XL	Edge trim	D
13	4700387226		1	Column cover	
14	4700500505		2	Screw M8x20 8.8	
15	4700904230		4	Steel plain washer	
16	4700500029		4	Hexagon head screw	C

A) L=0,190 m

ConstructionParts.com

888-634-4289

ConstructionParts.com



ConstructionParts.com

888-634-4289

Forward and reverse control

Item	Part No	Rem	Qty	Description	Code
1			1	Forward and reverse control handle (Page 120)	
2	4700392899		1	Control bracket	
3	4700392900		1	Control lever	
4	4700904556		3	Washer 8,4x16x3,0	
5	4700508092		2	Screw	C
6	4700586003		2	Lock nut M8	C
7	4700904556		2	Washer 8,4x16x3,0	
8	4700500021		2	Screw M8-1,25x25 8.8	
9	4700904229		8	Washer 8,4x16x1,5	
10	4700586003		1	Lock nut M8	C
11	4700377019		1	Ball joint	
	4700950382		1	Ball stud M8	
12	4700416034		1	Ball joint	C
13	4700377024	A	1	Cable Forward/Reverse	
14	4700377020		1	Clamp	
15	4700377021		1	Spacer	
16	4700926537		2	Screw M5-0,8x16H 8,8	
17	4700586001		2	Lock nut	C
18	4700947680		3	Screw M8-1,25x25 10.9	

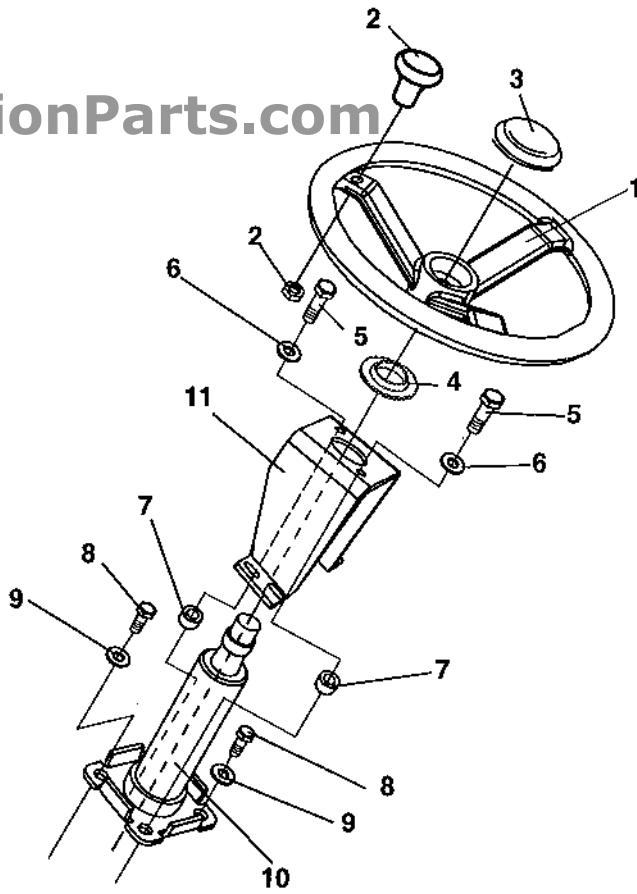
A) L=1900MM

Forward and reverse control handle

Item	Part No	Rem	Qty	Description	Code
1	4700945407		1	Lever, cpl	
2	4700940374		1	.Handle kit, cpl	
			1	..Handle	
	4700945729		1	...Push-button switch	
			1	...Cable	
			1	..Lockfluid	
			1	..Service information	
3			1	..Washer	
4			2	..Washer	
5			1	..Connector, receptable	
6			1	..Lock wedge	
7			2	..Pin	
8			1	..Rod	
9			1	..Nut	
10	4700377018		1	..Protection plug	
11	4700378759		1	..Handle top	
12	4700391379		1	.Lever	
13	4700377009		1	Bellows	
14	4700570004		2	.Nut M6X1,00 -8 A2K	
15	4700377015		2	.Set screw	
16	4700391381		1	Bushing	
17	4700391382		1	Potentiometer with cable	
18	4700377016		1	Spring loaded pin	
20	4700377010		1	Bracket	
21	4700903945		1	Connector, plug	
22	4700903946		1	Lock wedge	
23	4700508068		1	Screw	
24	4700904563		1	Lock nut M6	C
25	4700927233		1	Nut	C
26	4700391383		1	Screw	
27	4700903947		3	Pin	
28		B	1	Cable	
29	4700377011		1	Spacer	
30	4700377012		1	Friction washer	
31	4700391380		1	Cam washer	
33	4700377014		1	Spring washer	
34	4700586019		1	Lock nut	
36	4700391386		1	Spirol pin	

B) Included in potentiometer Pos 17

ConstructionParts.com



ConstructionParts.com

888-634-4289

Steering column

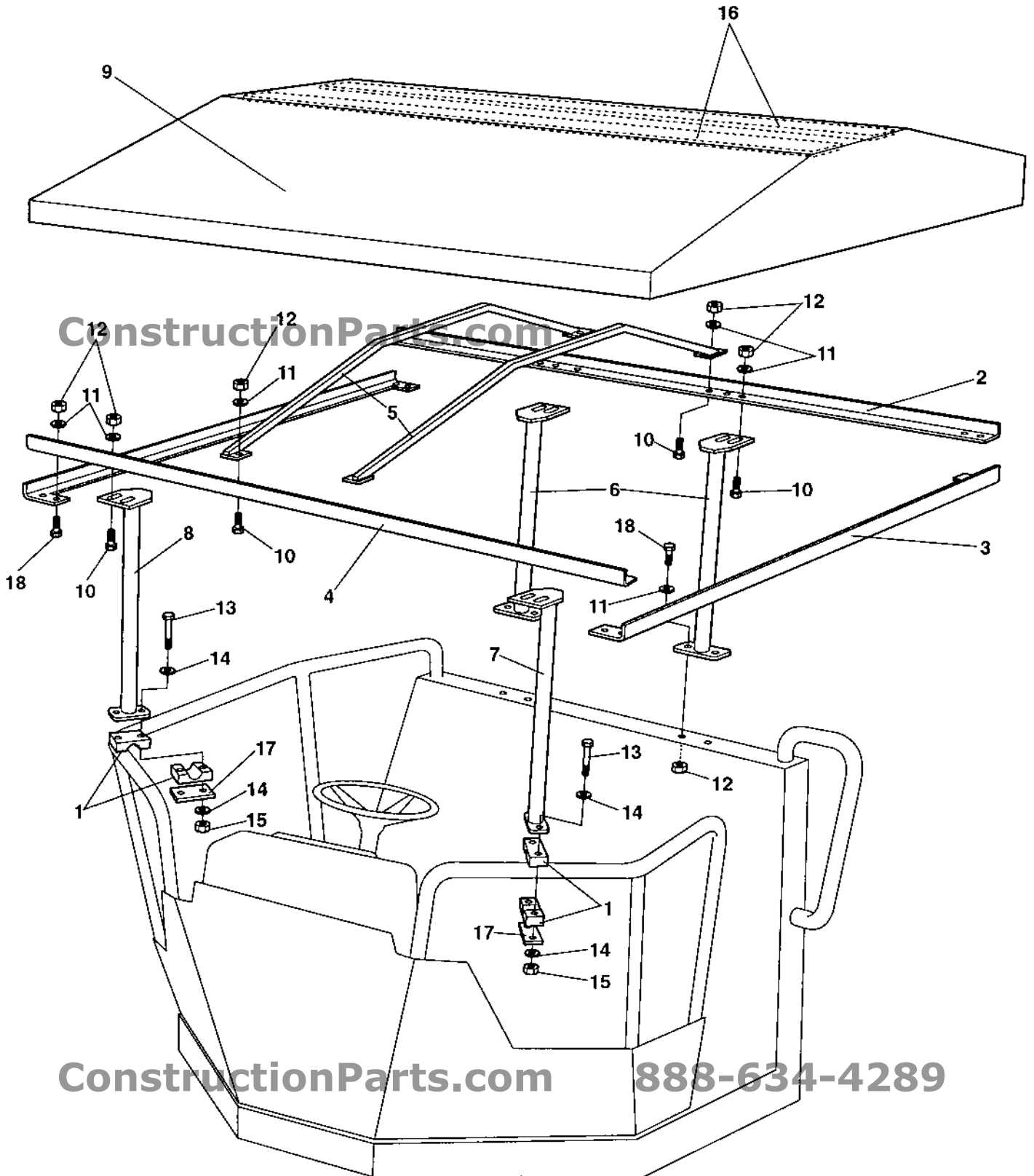
Item	Part No	Rem	Qty	Description	Code
1	4700372964		1	Steering wheel, cpl	D
2	4700935614		1	.Turning knob	D
3	4700935613		1	.Cover	
4	4700928830		1	Rubber washer	
5	4700500031		2	Screw	C
6	4700904230		2	Steel plain washer	
7	4700355869		2	Spacer sleeve	
8	4700500048		2	Screw M10-1,5x20 8,8	
9	4700904230		2	Steel plain washer	
10	4700902123		1	Steering column	
11		A	1	Bracket	

A) Included in control panel

ConstructionParts.com

ConstructionParts.com

888-634-4289

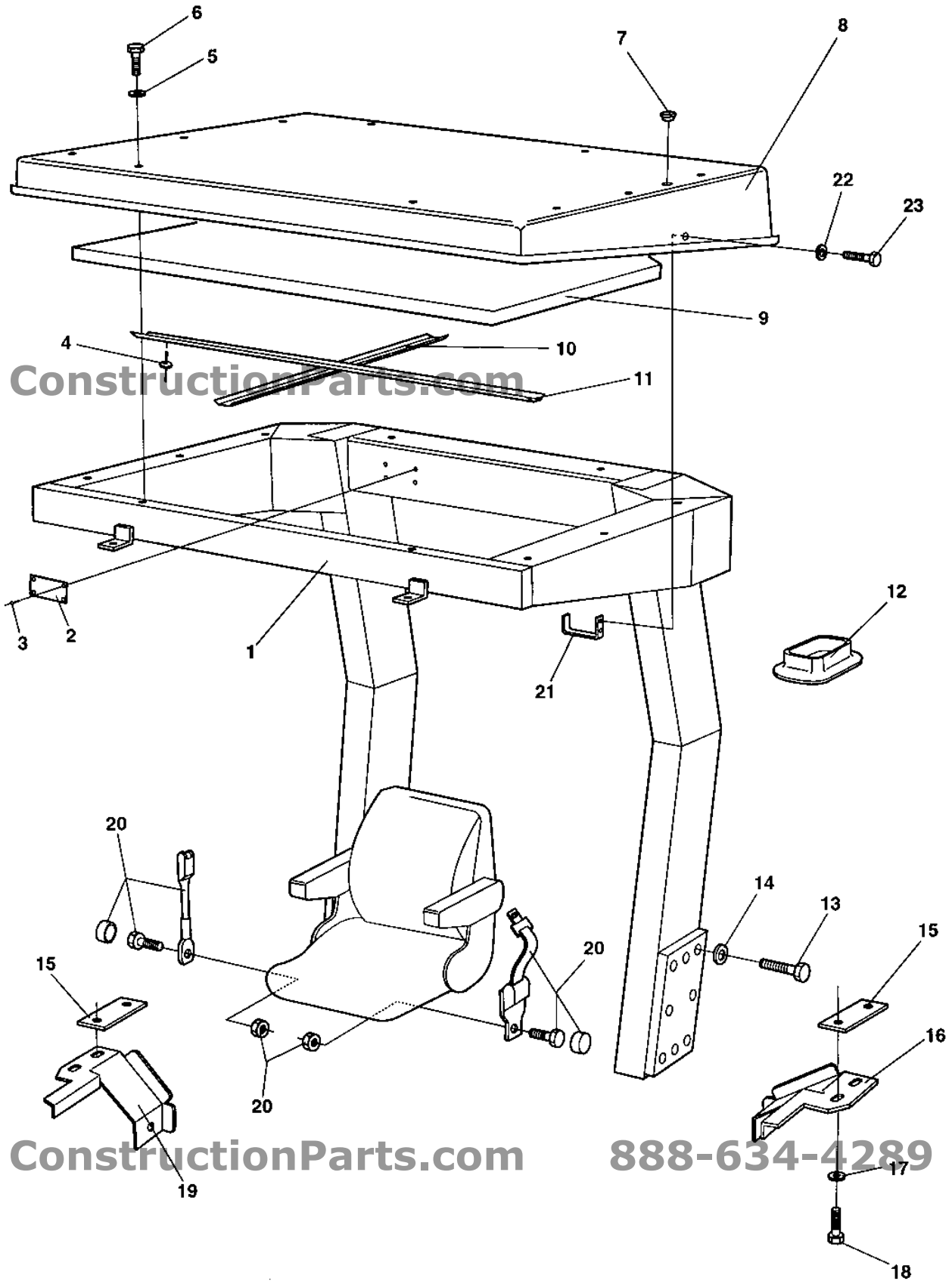


Canopy Option

Item	Part No	Rem Qty	Description	Code
1	4700904340	2	Pipe clamp	
2	4700373746	1	Canopy profile	
3	4700373747	2	Canopy profile	
4	4700373748	1	Canopy profile	
5	4700373749	4	Canopy rib	
6	4700373750	2	Canopy anchor	
7	4700380963	1	Canopy anchor	
8	4700380964	1	Canopy anchor	
9	4700373906	1	Roof	
10	4700500021	16	Screw M8-1,25x25 8.8	
11	4700904229	44	Washer 8,4x16x1,5	
12	4700586003	22	Lock nut M8	C
13	4700500153	4	Screw	C
14	4700904228	8	Washer 6,4x12x1,5	
15	4700586002	4	Lock nut M6 -8	
16	4700373907	2	Lath	
17	4700924791	2	Cover plate	
18	4700500022	8	Screw M8x30H 8.8 A2K	C

ConstructionParts.com

888-634-4289



Rops and fops

Item	Part No	Rem	Qty	Description	Code
1	4700372347		1	Rops	
2	4700370803		1	.Sign, rops	
3	4700624016		4	.Blind rivet	C
4	4700904619		12	Blind rivet	C
5	4700904734		19	Washer 8,4x26x4	
6	4700500239		19	Screw	C
7	4700904180		4	Plug	C
8	4700372409		1	Fops roof	
	4700370792		1	.Sign, fops	
	4700624016		4	.Blind rivet	C
9	4700372678		1	Absorbent	
10	4700376489		1	Absorbent holder	
11	4700376488		1	Absorbent holder	D
12	4700372489		2	Rubber seal	
13	4700904562		12	Screw M24x160 10.9	
14	4700904234		12	Steel plain washer	C
15	4700381330		2	Holder	
16	4700381353		1	Holder plate	
17	4700904640		8	Washer 8,4x22x3	
18	4700500022		8	Screw M8x30H 8.8 A2K	C
19	4700381352		1	Holder plate	
20	4700377677		1	Seat belt 2"	B
	4700379637	A	1	Seat belt 3"	B
21	4700383225		2	Hook	
22	4700904734		4	Washer 8,4x26x4	
23	4700500100		4	Screw	

A) Option 3"

Cab mounting

18429

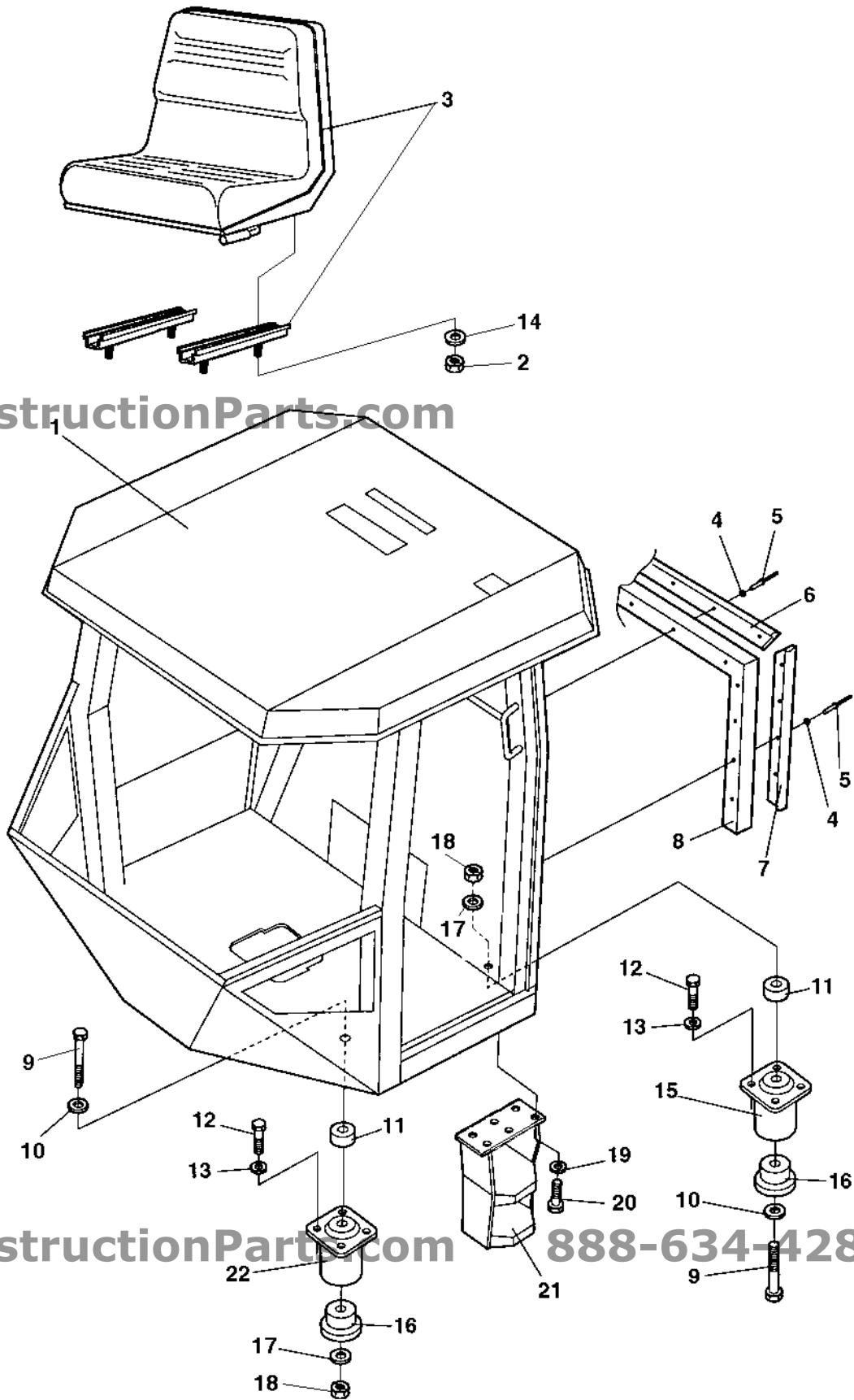
ConstructionParts.com

888-634-4289

ConstructionParts.com

ConstructionParts.com

888-634-4289



Cab mounting

Item	Part No	Rem	Qty	Description	Code
1				Cab 392479 (Page 130)	
2	4700570005		4	Nut M8	C
3	4700377556		1	Drivers seat, cpl	
	4700377518	D	1	Drivers seat, cpl	D
4	4700927974		13	Washer	
5	4700904433		13	Blind rivet	
6	4700372785		1	List	
7	4700382582		2	List	
8	4700372494	A	N	Rubber strip	
9	4700791218		4	Screw M20x200	
10	4700904233		4	Steel plain washer	
11	4700384759		4	Spacer	
12	4700500195		16	Screw	C
13	4700904231		16	Steel plain washer	
14	4700904229		4	Washer 8,4x16x1,5	
15	4700374606	B	2	Shock absorber Green	D
16	4700372457		4	Back-up ring	
17	4700903290		4	Washer 21x36x6	
18	4700901145		4	Lock nut M20-10	
19	4700904230		6	Steel plain washer	
20	4700500029		6	Hexagon head screw	C
21	4700376255		1	Step	
22	4700374607	C	2	Shock absorber Yellow	D
23	4700382397		2	Spacer	

- A) L=2400 mm
- B) Rear
- C) Front
- D) Option

ConstructionParts.com

888-634-4289

ConstructionParts.com

ConstructionParts.com

888-634-4289

Cab 392479

Item	Part No	Rem	Qty	Description	Code
130				Cab Screens (Page 132)	
140				Cab Door, left side (Page 136)	
150				Cab Interior rear mirror (Page 138)	
170				Wiper arm with blade, front (Page 140)	
180				Cab Electric (Page 142)	

ConstructionParts.com

ConstructionParts.com

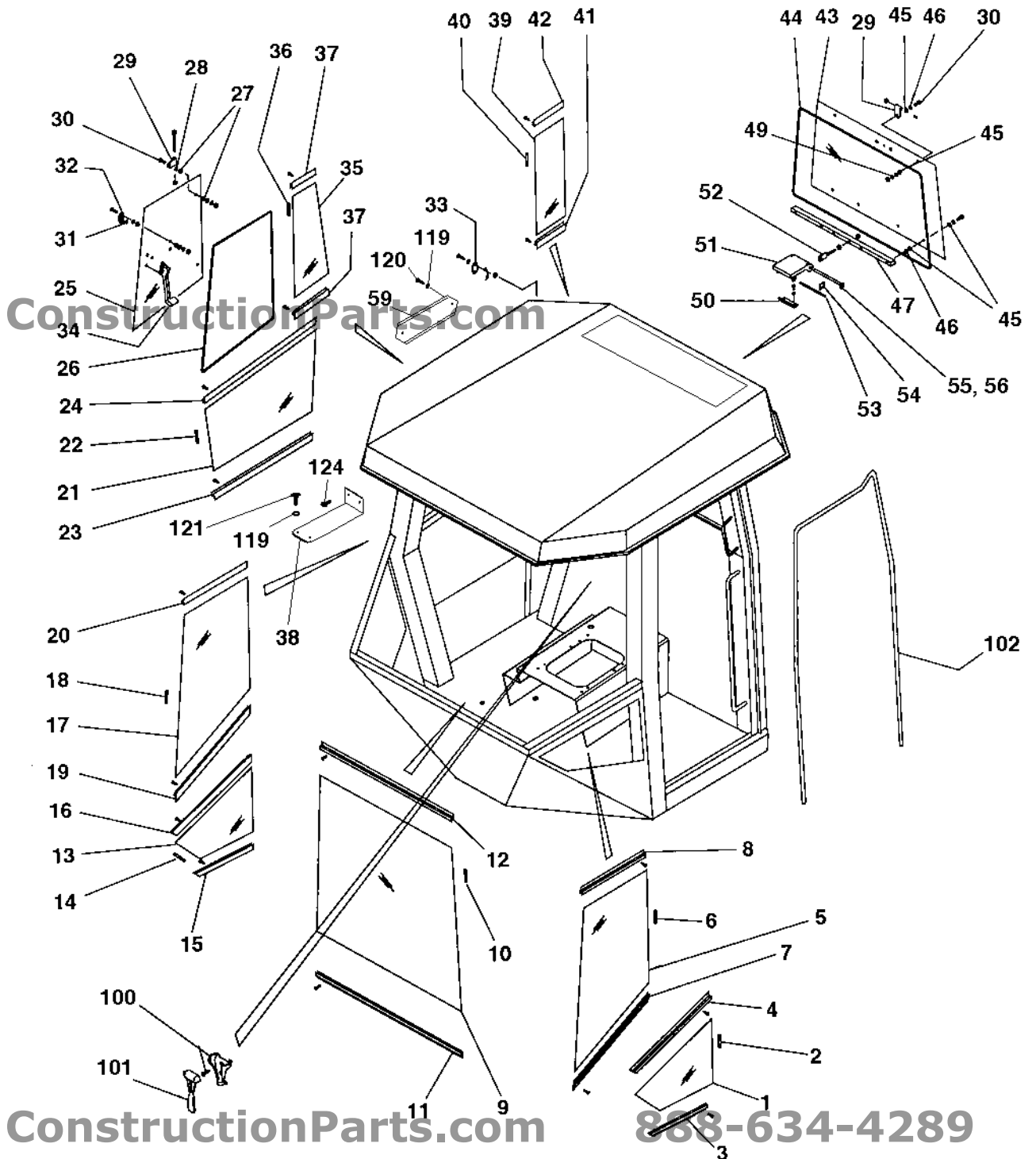
888-634-4289

Cab Screens

18431

ConstructionParts.com

888-634-4289



Cab Screens

Item	Part No	Rem	Qty	Description	Code
1	4700937380		1	Screen	
2	4700908545		XL	Seal list	B
3	4700935278		1	List	
4	4700935279		1	List	
5	4700937381		1	Screen, left	
6	4700908545		XL	Seal list	B
7	4700935280		1	List	
8	4700935281		1	List	
9	4700937382		1	Screen	
10	4700908545	D	1	Seal list	B
11	4700935282		1	List	
12	4700935283		1	List	
13	4700937383		1	Screen	
14	4700908545		XL	Seal list	B
15	4700935284		1	List	
16	4700935285		1	List	
17	4700937384		1	Screen	
18	4700908545	C	1	Seal list	B
19	4700935286		1	List	
20	4700935287		1	List	
21	4700937385		1	Screen	
22	4700908545	A	1	Seal list	B
23	4700935288		1	List	
24	4700935289		1	List	
25	4700938290		1	Screen	
26	4700908499	E	1	Rubber list	C
27	4700935271		8	Washer, Flexible rubber	
28	4700935272		8	Washer, Black	
29	4700935273		4	Hinge	
30	4700935274		4	Screw	
31	4700935275		1	Rubber washer	
32	4700935276		1	Bracket	
33	4700935277		1	Lock pin	
34	4700935290		1	Window lock, right	
35	4700938291		1	Screen	
36	4700908545	B	1	Seal list	B
37	4700935291		1	List	
38	4700379608		1	Cover	
39	4700938292		1	Screen	
40	4700908545	B	1	Seal list	B
41	4700935293		1	List	
42	4700938659		1	List	
43	4700937389		1	Screen	
44	4700908499	F	1	Rubber list	C
45	4700935271		12	Washer, Flexible rubber	
46	4700935272		12	Washer, Black	
47	4700935295		1	Screen holder	
49	4700935296		2	Washer	
50	4700935297		1	Bracket	
51	4700935298		2	Bracket	
52	4700935299		1	Bolt	
53	4700935300		1	Shaft	
54	4700935301		2	Lock	

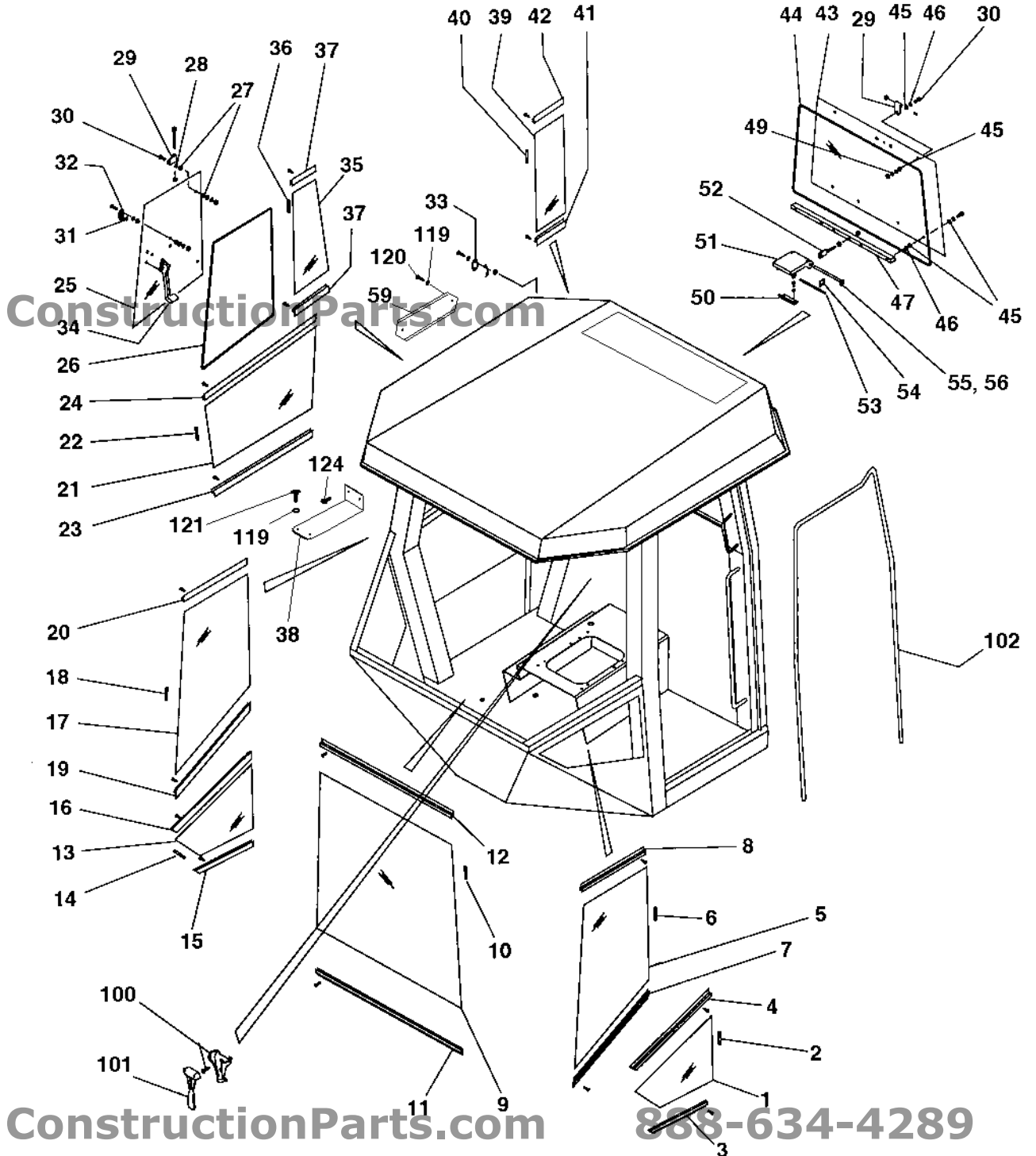
- A) L=1100 mm
- B) L=1400 mm
- C) L=1900 mm
- D) L=2100 mm
- E) L=2700 mm
- F) L=3300 mm

Cab Screens

18431

ConstructionParts.com

888-634-4289



ConstructionParts.com

888-634-4289

Cab Screens

Item	Part No	Rem	Qty	Description	Code
55	4700935302		1	Rod	
56	4700935303		1	Ring	
59	4700379236		1	Cover	
100	4700908506		1	Holder	C
101	4700908507		1	Emergency hammer	D
102	4700908499	G	1	Rubber list	C
119	4700904229		16	Washer 8,4x16x1,5	
120	4700500019		14	Screw M8x16H 8.8 A2K	C
121	4700500053		2	Screw M8x20H 8.8	C
124	4700903782		2	Screw M5x12	C
G)	L=5 m				

ConstructionParts.com

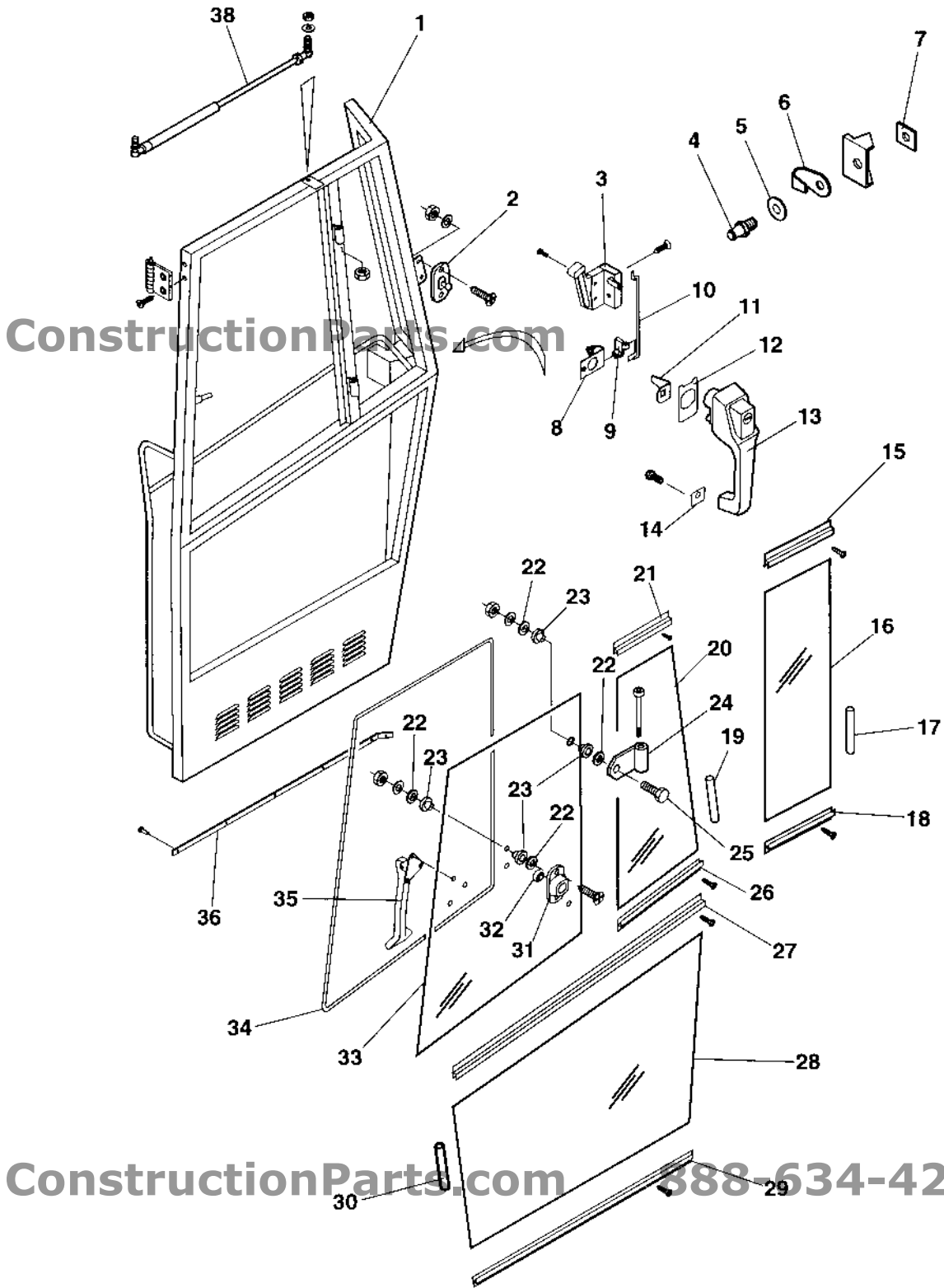
888-634-4289

Cab Door, left side

16967-1

ConstructionParts.com

888-634-4289



Cab Door, left side

Item	Part No	Rem	Qty	Description	Code
	4700940678		1	Door, cpl	
1	4700390927		1	.Door frame	
2	4700935277		1	.Lock pin	
3	4700938017		1	.Lock	
4	4700908580		1	.Lock pin	C
5	4700908581		1	.Washer	
6	4700908582		1	.Cover	
7	4700908583		1	.Bracket	
8	4700935248		1	.Turning mechanism	
9	4700935249		1	.Retainer	
10	4700935250		1	.Rod	
11	4700935247		1	.Leader	
12	4700935246		1	.Seal	
13	4700935244		1	.Door handle with key	D
14	4700935245		1	.Seal	
15	4700935268		1	.List	
16	4700937391		1	.Screen	
17	4700908545	A	1	.Seal list	B
18	4700935267		1	.List	
19	4700908545	A	1	.Seal list	B
20	4700937392		1	.Screen	
21	4700935270		1	.List	
22	4700935272		8	.Washer, Black	
23	4700935271		8	.Washer, Flexible rubber	
24	4700935273		2	.Hinge	
25	4700935274		2	.Screw	
26	4700935269		1	.List	
27	4700935266		1	.List	
28	4700937390		1	.Screen	
29	4700935265		1	.List	
30	4700908545	B	1	.Seal list	B
31	4700935276		1	.Bracket	
32	4700935275		1	.Rubber washer	
33	4700937393		1	.Screen	
34	4700908499	C	1	.Rubber list	C
35	4700935253		1	.Lock	
36	4700938101		XL	.Brush profile	
38	4700938018		1	.Gas spring	

- A) L=1400 mm
- B) L=1100 mm
- C) L=2700 mm

ConstructionParts.com

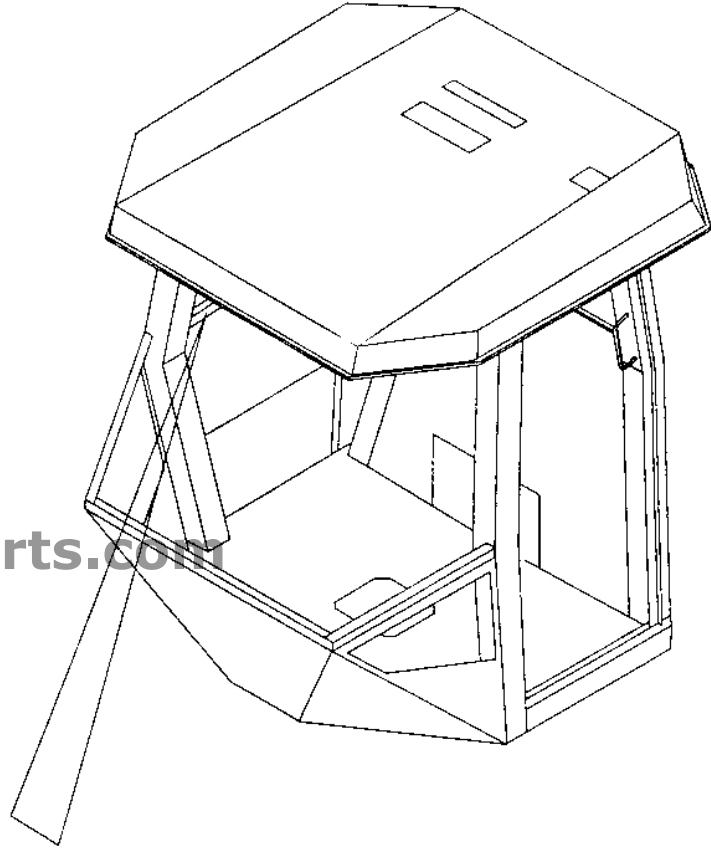
888-634-4289

Cab Interior rear mirror

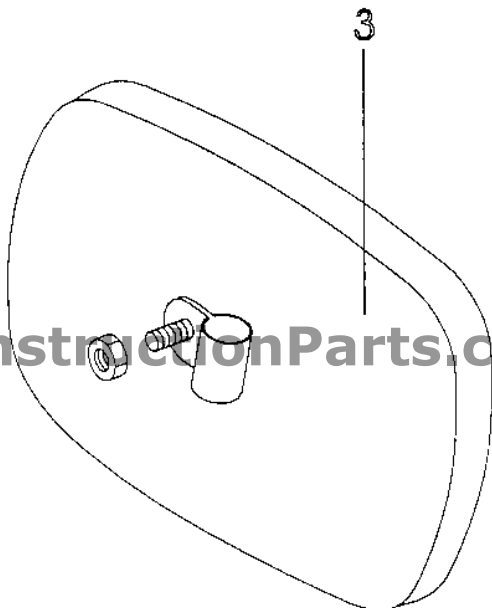
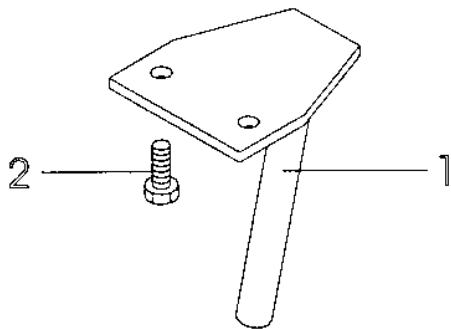
16008

ConstructionParts.com

888-634-4289



ConstructionParts.com



ConstructionParts.com

888-634-4289

Cab Interior rear mirror

Item	Part No	Rem Qty	Description	Code
1	4700908623	1	Bracket	
2	4700535005	2	Screw M5x12	C
3	4700908624	1	Rear mirror	C

ConstructionParts.com

ConstructionParts.com

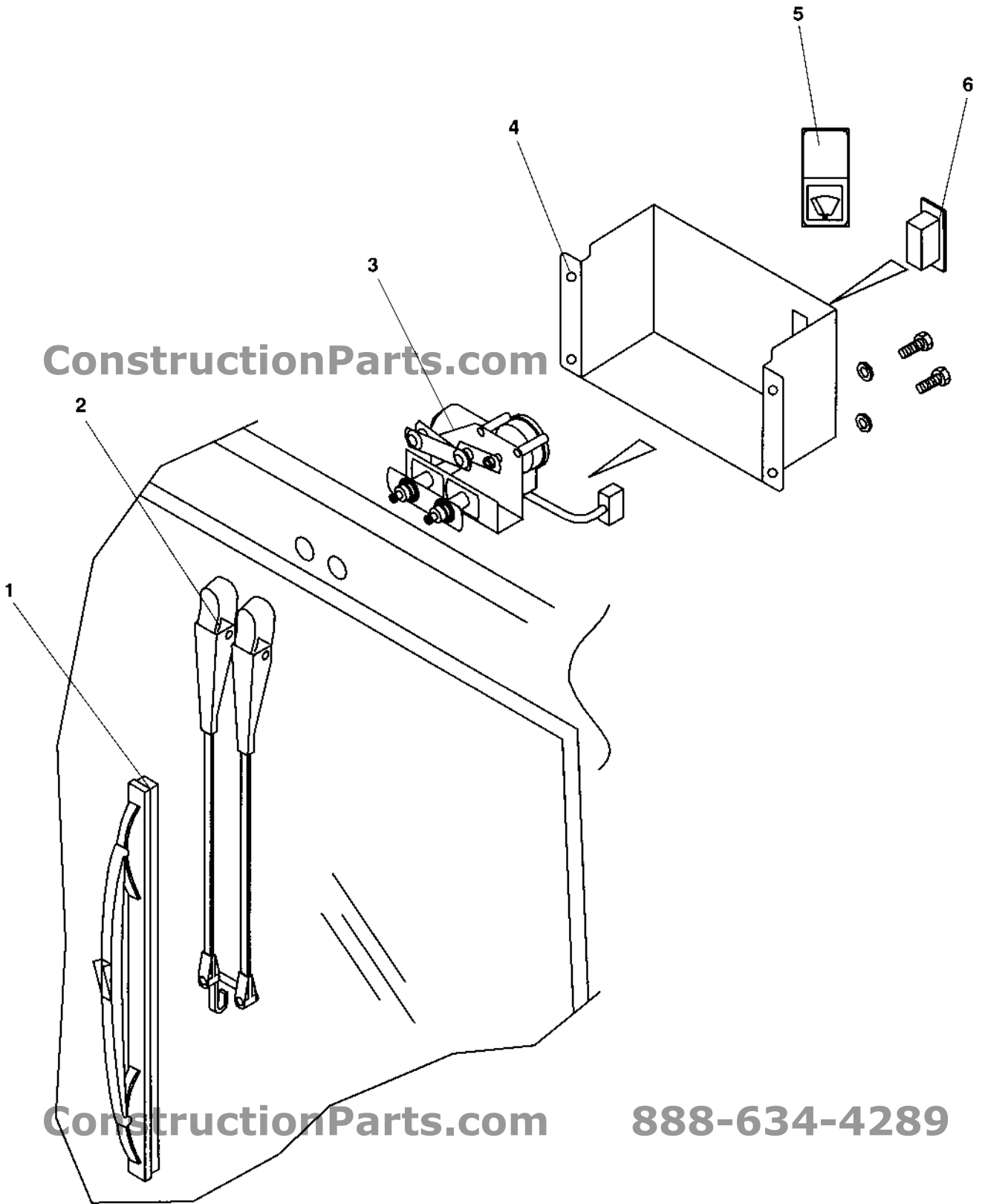
888-634-4289

Wiper arm with blade, front

16968

ConstructionParts.com

888-634-4289



Wiper arm with blade, front

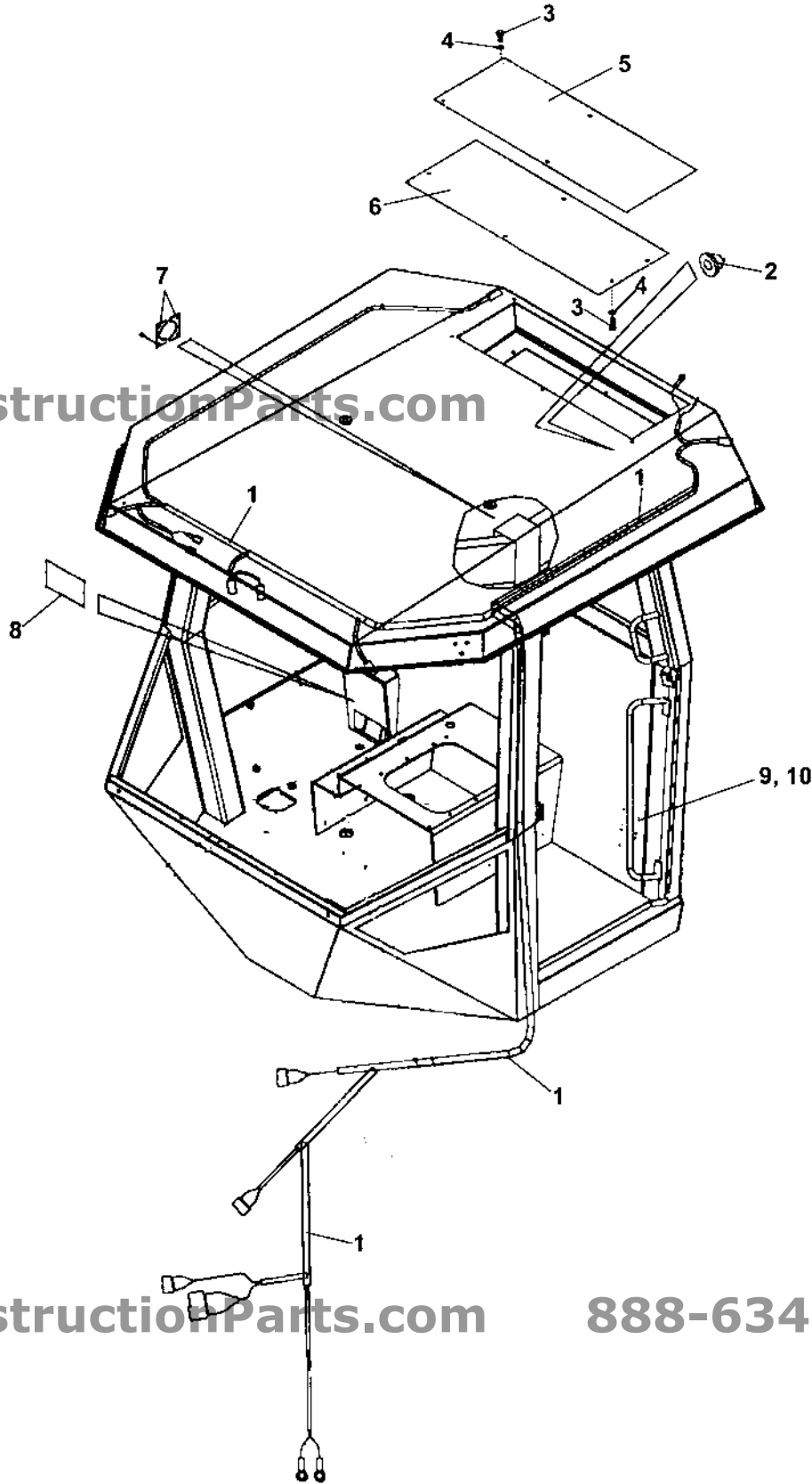
Item	Part No	Rem Qty	Description	Code
1	4700905306	1	Wiper blade	
2	4700905305	1	Wiper arm	
3	4700905304	1	Wiper motor	
4	4700937871	1	Cover	
5	4700908605	1	Symbol, wiper	D
6	4700908617	1	Switch	B

ConstructionParts.com

888-634-4289

ConstructionParts.com

888-634-4289



Cab Electric

Item	Part No	Rem	Qty	Description	Code
1	4700937870	1	1	Cable harness	
2	4700791378	2	2	Grommet	
3	4700500019	12	12	Screw M8x16H 8.8 A2K	C
4	4700904229	12	12	Washer 8,4x16x1,5	
5	4700938678	1	1	Cover	
6	4700938679	1	1	Cover	
7	4700935580	2	2	Bracket	
8	4700391219	1	1	Gasket	
9		1	1	Sign, rops	
10		1	1	Sign, fops	

ConstructionParts.com

888-634-4289

ConstructionParts.com

888-634-4289

ConstructionParts.com

888-634-4289

ConstructionParts.com

ConstructionParts.com

888-634-4289

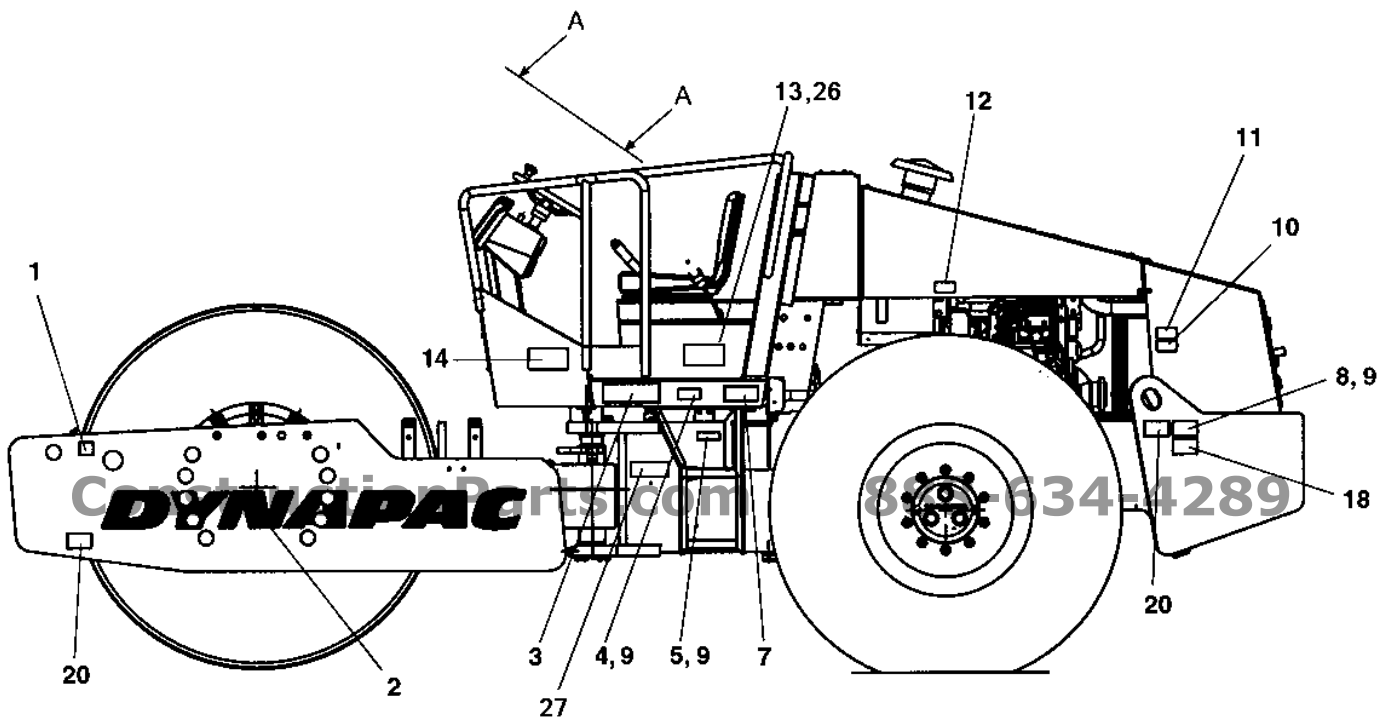
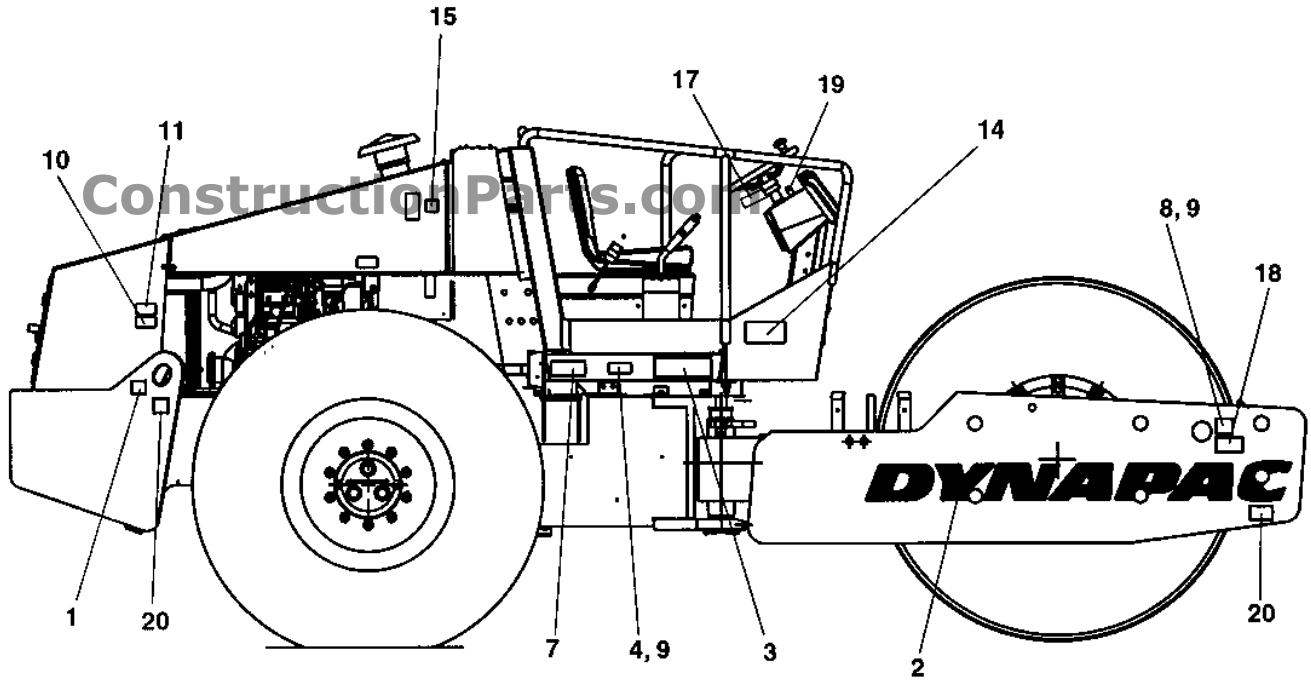
Decals

Item	Part No	Rem Qty	Description	Code
10			Decals (Page 146)	
20			Decals (Page 148)	

ConstructionParts.com

ConstructionParts.com

888-634-4289

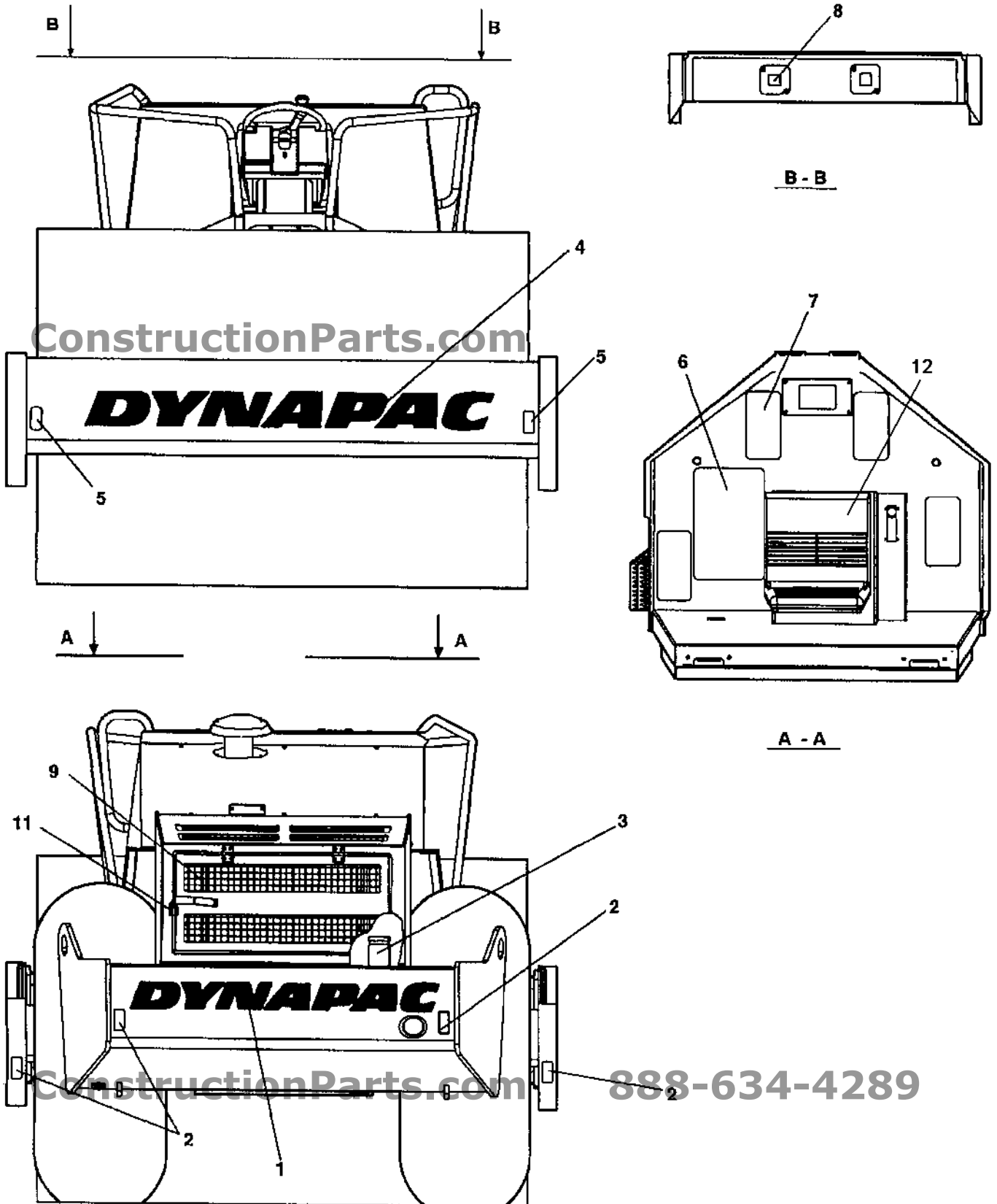


Decals

Item	Part No	Rem Qty	Description	Code
1	4700588176	2	Decal "LIFT POINT"	
2	4700904068	2	Decal "DYNAPAC" L=1770 mm	
3	4700904723	2	Decal "MODEL CODE"	
4	4700377744	2	Reflector, yellow	D
5	4700358090	1	Product plate ce	
6	4700902915	4	Screw	
7	4700903459	2	Decal "SAFETY"	D
8	4700904870	2	Lifting sign	D
9	4700624005	12	Blind rivet 3,2x6,1	C
10	4700903424	2	Decal "HOT SURFACE"	D
11	4700903423	2	Decal "SAFETY"	D
12	4700991990	2	Decal "TYRE PRESSURE" 110-150kPA/16-21psi	
	4700390900	1	Decal "TYRE PRESSURE" 110kPA/16psi	
13	4700903425	1	Decal "SAFETY MANUAL"	D
14	4700903422	2	Decal "SAFETY"	D
15	4700272373	1	Decal "HYDRAULIC OIL"	D
17	4700384159	1	Instructions Loading-Unloading	
18	4700908229	2	Safety decal	D
19	4700358881	1	Pad lock	D
20	4700382751	4	Decal "TIE DOWN POINT"	D
25	4700791642	1	Decal "WARNING" Use of starting fluid prohib.	D
26	47393691XX	1	Instruction Handbook	
27	47960787XX	1	Product identif. decal "Dynapac"	

ConstructionParts.com

888-634-4289



Decals

Item	Part No	Rem Qty	Description	Code
1	4700904098	1	Decal "DYNAPAC" L=1350 mm	
2	4700377742	4	Reflector, red	D
3	4700991658	1	Decal "FUEL"	D
4	4700904068	1	Decal "DYNAPAC" L=1770 mm	
5	4700377743	2	Reflector, white	D
6	4700373364	1	Slip protection	
7	4700373363	4	Slip protection	
8	4700272372	1	Decal "HYDRAULIC OIL"	D
9	4700904835	1	Decal "BATTERY POWER"	D
11	4700358881	1	Pad lock	D
12	4700348331	1	Seat cover	D

ConstructionParts.com

888-634-4289

ConstructionParts.com

888-634-4289

ConstructionParts.com

888-634-4289

ConstructionParts.com

ConstructionParts.com

888-634-4289

Item	Part No	Rem	Qty	Description	Code
100				Standard equipment (Page 152)	

ConstructionParts.com

ConstructionParts.com

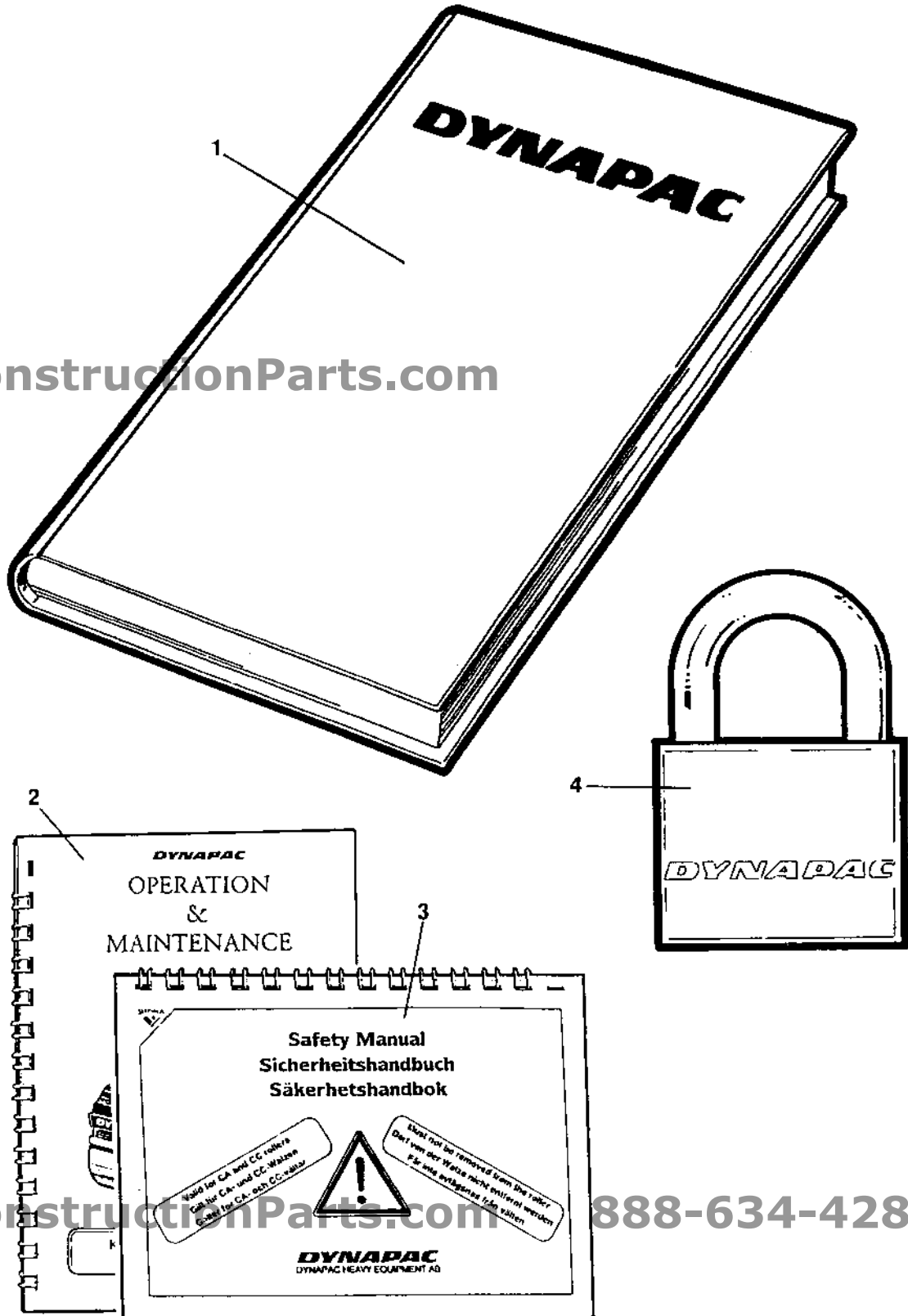
888-634-4289

15639-1

ConstructionParts.com

888-634-4289

ConstructionParts.com



ConstructionParts.com

888-634-4289

Item	Part No	Rem	Qty	Description	Code
1		1	1	Documentation ISCA250D	
		1	1	.Warranty registration card	
		1	1	.Operation and maintenance ICA250	
		1	1	.Spare parts catalogue SCA250D	
		1	1	.Instruction manual Cummins QSB 4.5 C	
2		1	1	.Operation / maintenance instruction I5CA250	
3		1	1	.Safety manual RSAFE	
4	4700358881	1	1	Pad lock	D

ConstructionParts.com

888-634-4289

ConstructionParts.com

888-634-4289

ConstructionParts.com

ConstructionParts.com

888-634-4289

Optional equipment

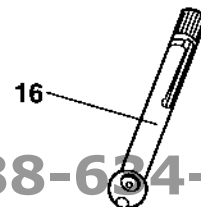
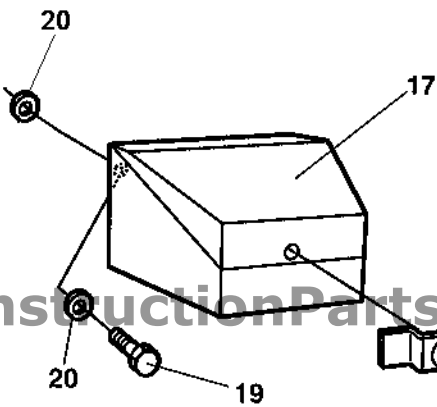
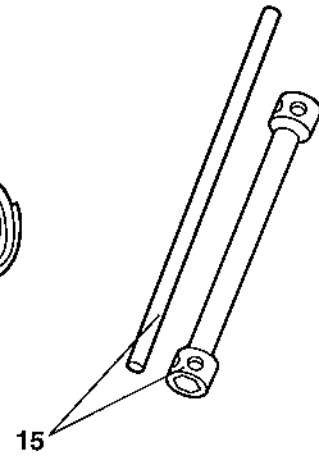
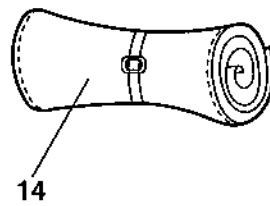
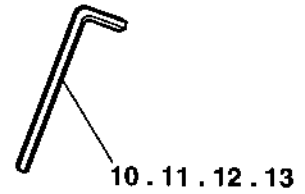
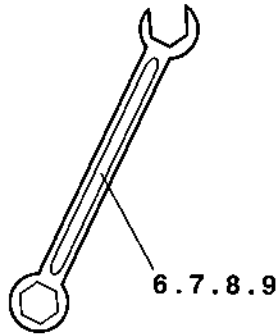
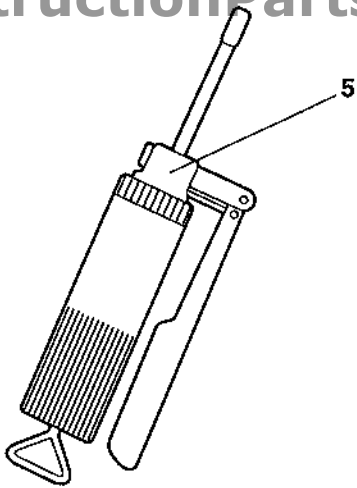
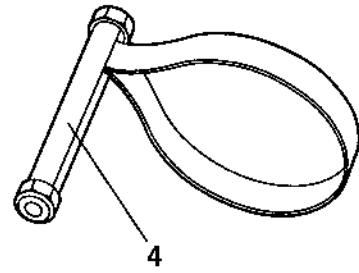
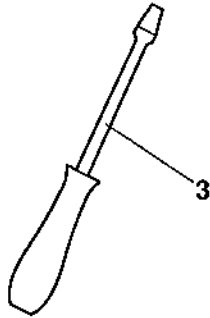
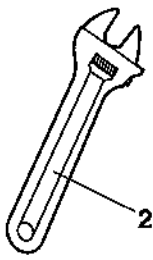
Item	Part No	Rem Qty	Description	Code
10			Tool equipment (Page 156)	
40			Pad shell (Page 158)	
85			Air conditioner and heater, Simple cab (Page 160)	
86	4700383413		Condenser, cpl (Page 164)	
90			Air conditioner and heater unit (Page 166)	
100			Dy-Mic (Page 168)	
230			Heater Simple cab (Page 170)	

ConstructionParts.com

888-634-4289

ConstructionParts.com

888-634-4289



Tool equipment

Item	Part No	Rem	Qty	Description	Code
1	4700355890	1	1	Tool set Cpl	
2		1	1	.Adjustable wrench	
3		1	1	.Screw driver	
4	4700902610	1	1	.Belt pliers	D
5	4700311016	1	1	.Grease gun	D
6		1	1	.Open end spanner 10mm	D
7		1	1	.Open end spanner 13mm	D
8		1	1	.Open end spanner 16mm	D
9		1	1	.Open end spanner 18mm	D
10		1	1	.Allen wrench 10mm	D
11		1	1	.Allen wrench 12mm	D
12		1	1	.Allen wrench 6mm	D
13		1	1	.Allen wrench 8mm	D
14		1	1	.Tool bag	D
15		1	1	.Wheel nut key 30/32mm	D
16	4700901220	1	1	.Pressure gauge	B
17	4700372837	1	1	Tool box	
18	4700372658	1	1	Lock	D
19	4700500021	3	3	Screw M8-1,25x25 8.8	
20	4700904640	6	6	Washer 8,4x22x3	

ConstructionParts.com

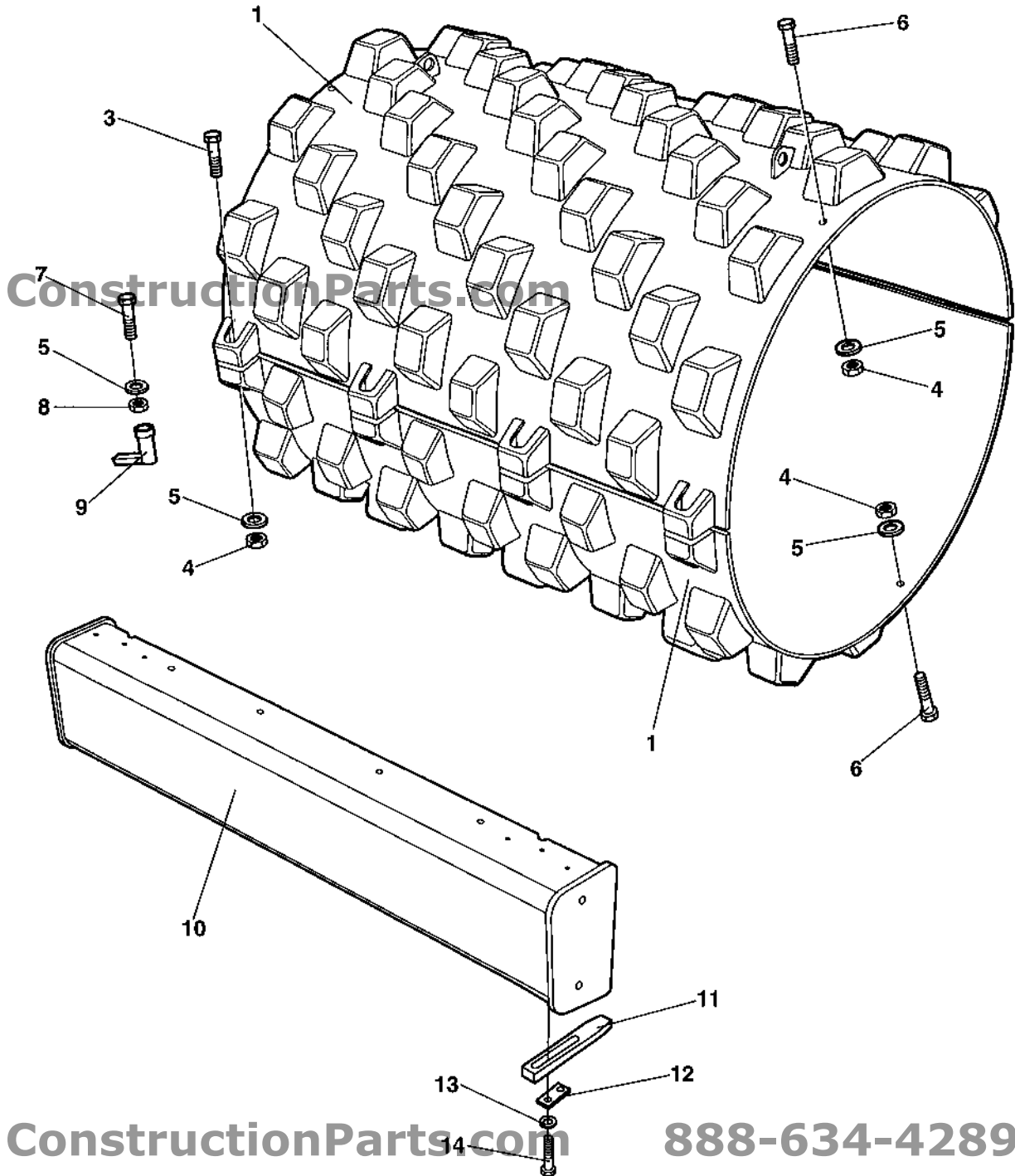
888-634-4289

Pad shell

18170

ConstructionParts.com

888-634-4289



Pad shell

Item	Part No	Rem	Qty	Description	Code
1	4700382139		2	Pad shell	
3	4700500286		8	Screw M20-2,5x140 8.8	
4	4700586022		12	Lock nut M20-8	
5	4700904233		16	Steel plain washer	
6	4700500206		4	Screw M20X60	C
7	4700382572		4	Mounting screw	
8	4700570015		4	Nut M20	
9	4700382571		1	Hexagon sleeve	
10		A	1	Cross beam	
11	4700376551		18	Scraper tooth	
12	4700376622		18	Holder	
13	4700904232		36	Washer	C
14	4700500165		36	Screw M16-2,0x75 8,8	

A) See section "Frames".

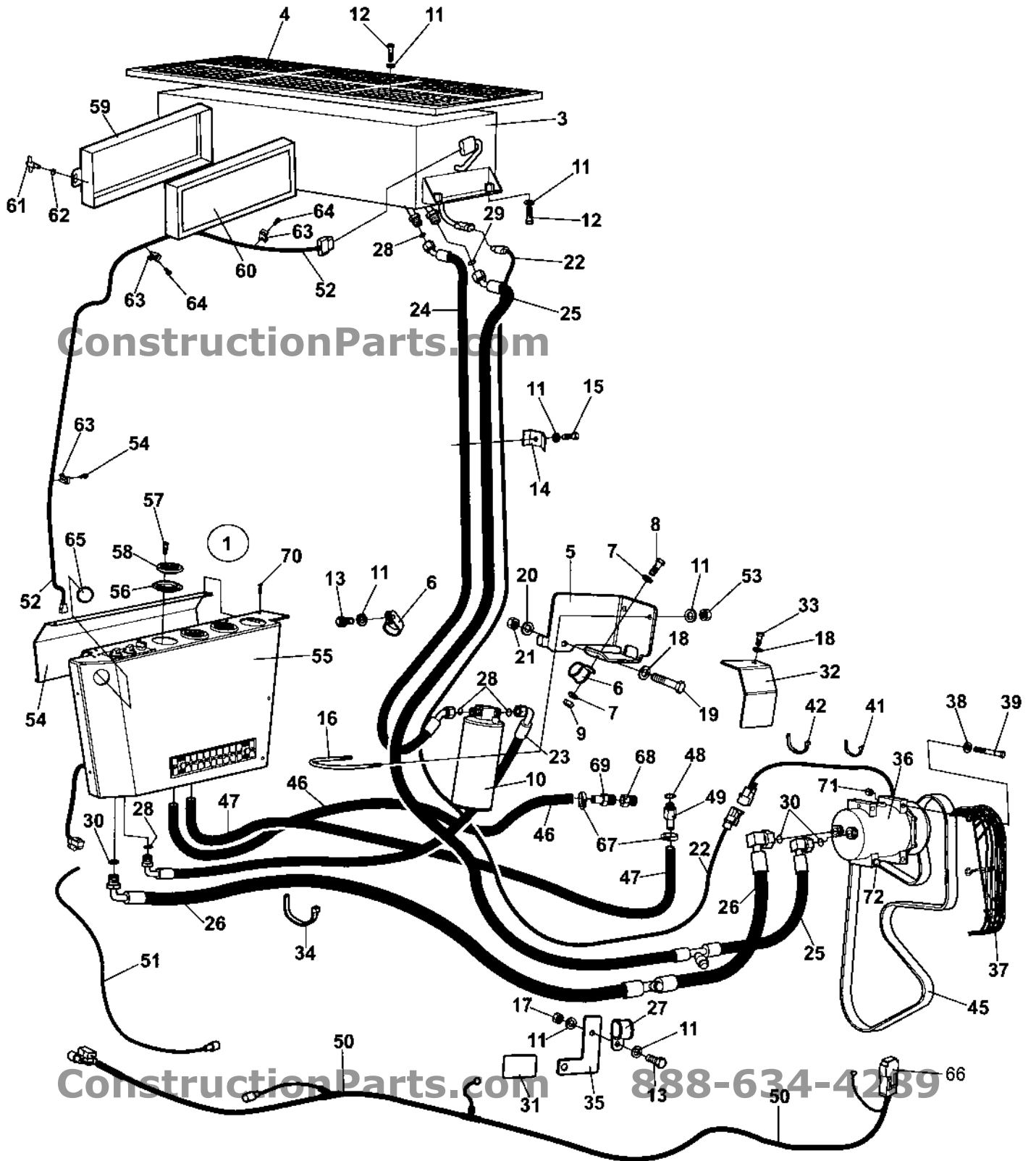
ConstructionParts.com**888-634-4289**

Air conditioner and heater, Simple cab

18684

ConstructionParts.com

888-634-4289



Air conditioner and heater, Simple cab

Item	Part No	Rem	Qty	Description	Code
1				Air conditioner and heater unit (Page 166)	
3	4700383413			Condenser, cpl (Page 164)	
4	4700384589		1	Cover	
5	4700393954		1	Holder	
6	4700921056		2	Clamp	C
7	4700904228		2	Washer 6,4x12x1,5	
8	4700500013		1	Screw M6-1x16 8,8	C
9	4700570004		1	Nut M6X1,00 -8 A2K	
10	4700393955		1	Drying filter	
11	4700904229		18	Washer 8,4x16x1,5	
12	4700500022		10	Screw M8x30H 8.8 A2K	C
13	4700500053		2	Screw M8x20H 8.8	C
14	4700346230		3	Clamp	
15	4700500023		3	Screw M8-1,25x40 8,8	C
16	4700313093		1	Pipe clamp	C
17	4700570005		3	Nut M8	C
18	4700904230		2	Steel plain washer	
19	4700500192		1	Screw M10x80	C
20	4700904567		1	Washer 10,5x28x6 HB305	C
21	4700570006		1	Nut	C
22	4700390824		1	Cable harness	
23	4700384875		1	Hose	
24	4700384876		1	Hose	
25	4700393405		1	Hose	
26	4700393406		1	Hose	
27	4700921044		1	Clamp	C
28	4700384877		4	O-ring	C
29	4700384878		1	O-ring	C
30	4700384879		3	O-ring	C
31	4700904165		1	Safety decal Toxic gases	D
32	4700393408		1	Heat protection	
33	4700500048		1	Screw M10-1,5x20 8,8	
34	4700313102			Cable ties	
35	4700393647		1	Holder	
36	4700390823		1	Compressor	
37	4700390529		1	Belt guard	
38	4700904734		2	Washer 8,4x26x4	
39	4700500180		2	Screw	C
40	4700792015		1	Conduit	
41	4700313068		1	Cable ties L=92 mm	
42	4700925802		1	Cable ties L=142 mm	C
45		A	1	V-belt	C
46	4700937737	B	1XL	Hose	
47	4700937737	B	1XL	Hose	
48	4700330330		1	Copper washer	
49	4700391303		1	Hose connection	
50	4700387466		1	Cable harness	
51	4700394210		1	Cable harness	
52	4700379275		1	Cable harness	
53	4700586003		2	Lock nut M8	C
54	4700379285		1	Panel	
55	4700379286		1	Panel	
56	4700385443		3	Ring	
57	4700938691		12	Screw	C
58	4700385442		3	Air nozzle	D
59	4700908501		1	Filter frame	
60	4700908502		1	Filter	A
61	4700908504		2	Handle	D

A) See section "Engine installation".

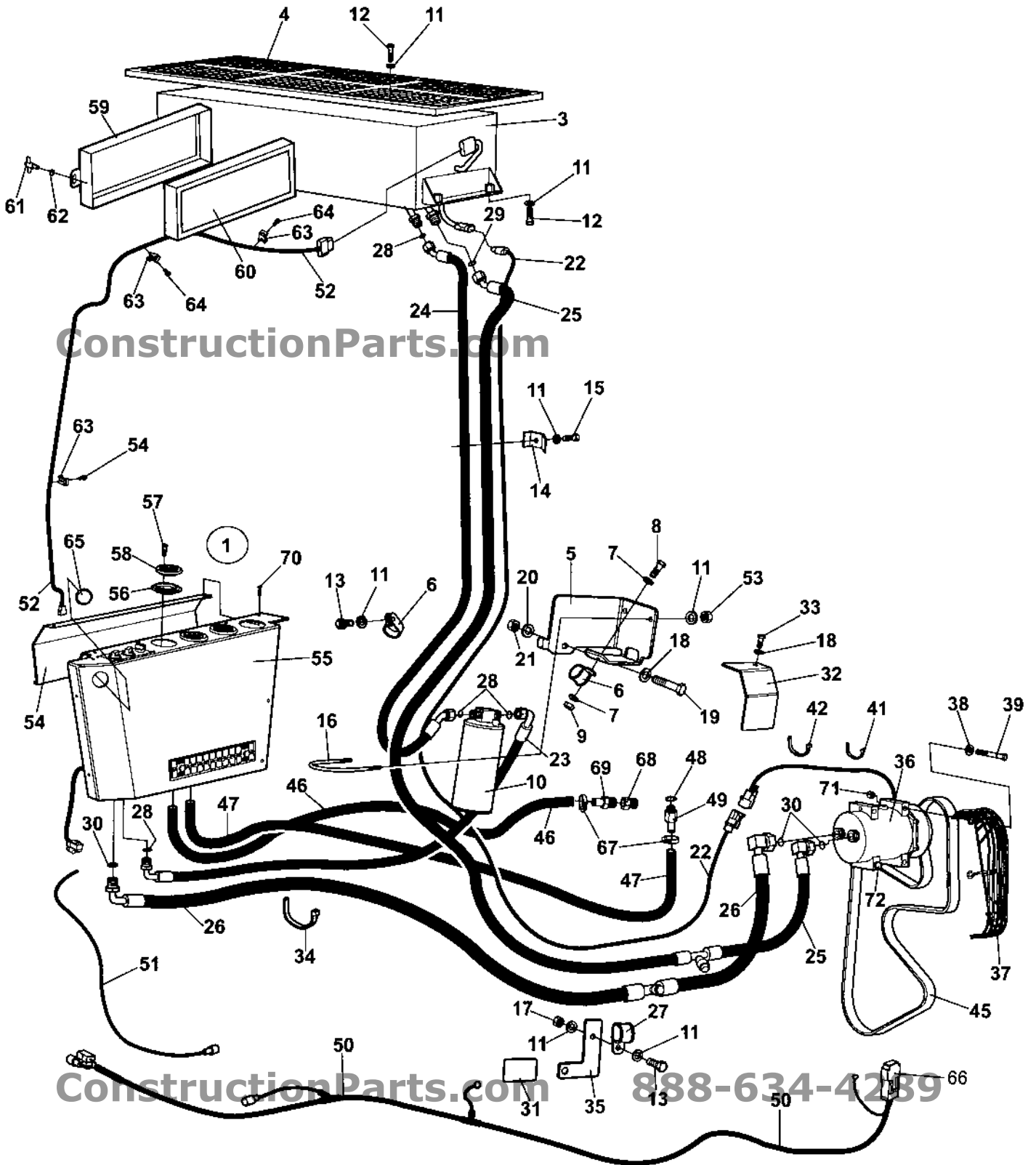
B) L=3,600M

Air conditioner and heater, Simple cab

18684

ConstructionParts.com

888-634-4289



Air conditioner and heater, Simple cab

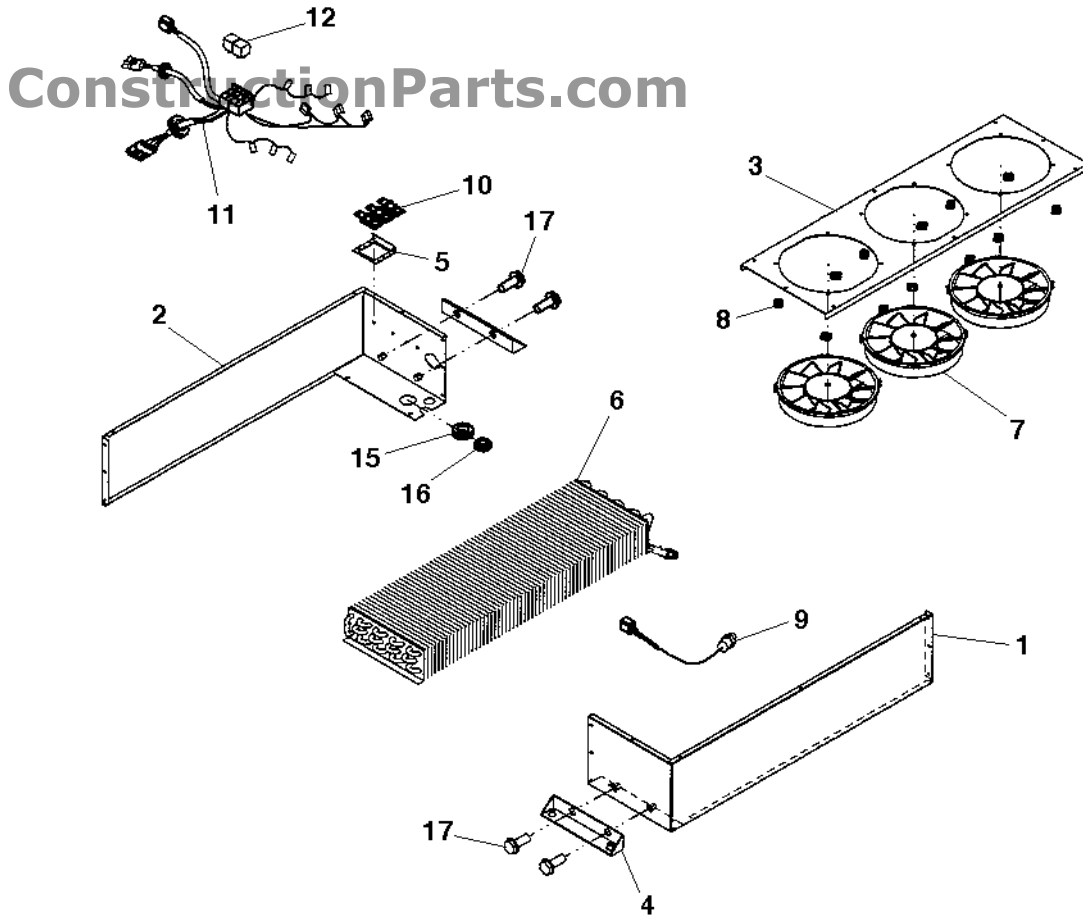
Item	Part No	Rem Qty	Description	Code
62	4700908503	2	O-ring	C
63	4700904543	10	Cable tie holder	
64	4700903852	10	Screw ST4,2x13	C
65	4700345870	1	Plug	C
66	4700904039	1	Fuse 50A Red High	A
67	4700313004	2	Hose clamp	C
68	4700813434	1	Reducer	
69	4700387638	1	Hose connection	
70	4700792248	5	Screw 4,2 X25	
71	4700945314	2	Guide ring	
72	4700945315	3	Screw M8X100	

ConstructionParts.com

888-634-4289

ConstructionParts.com

888-634-4289



4700383413 Condenser, cpl

Item	Part No	Rem Qty	Description	Code
1	4700938597	1	Cover	
2	4700938598	1	Cover	
3	4700938599	1	Fan bracket	D
4	4700938600	2	Condensor bracket	
5	4700938601	1	Resistor bracket	
6	4700938602	1	Condensor Coil	B
7	4700938603	3	Fan	C
8	4700938604	12	Clip	
9	4700938605	1	Pressure switch	B
10	4700938606	3	Resistor	B
11	4700938607	1	Cable harness	
12	4700287598	2	Relay 12V-30A	A
15	4700938608	1	Grommet	C
16	4700938609	1	Grommet	
17	4700901832	4	Screw	C

ConstructionParts.com

888-634-4289

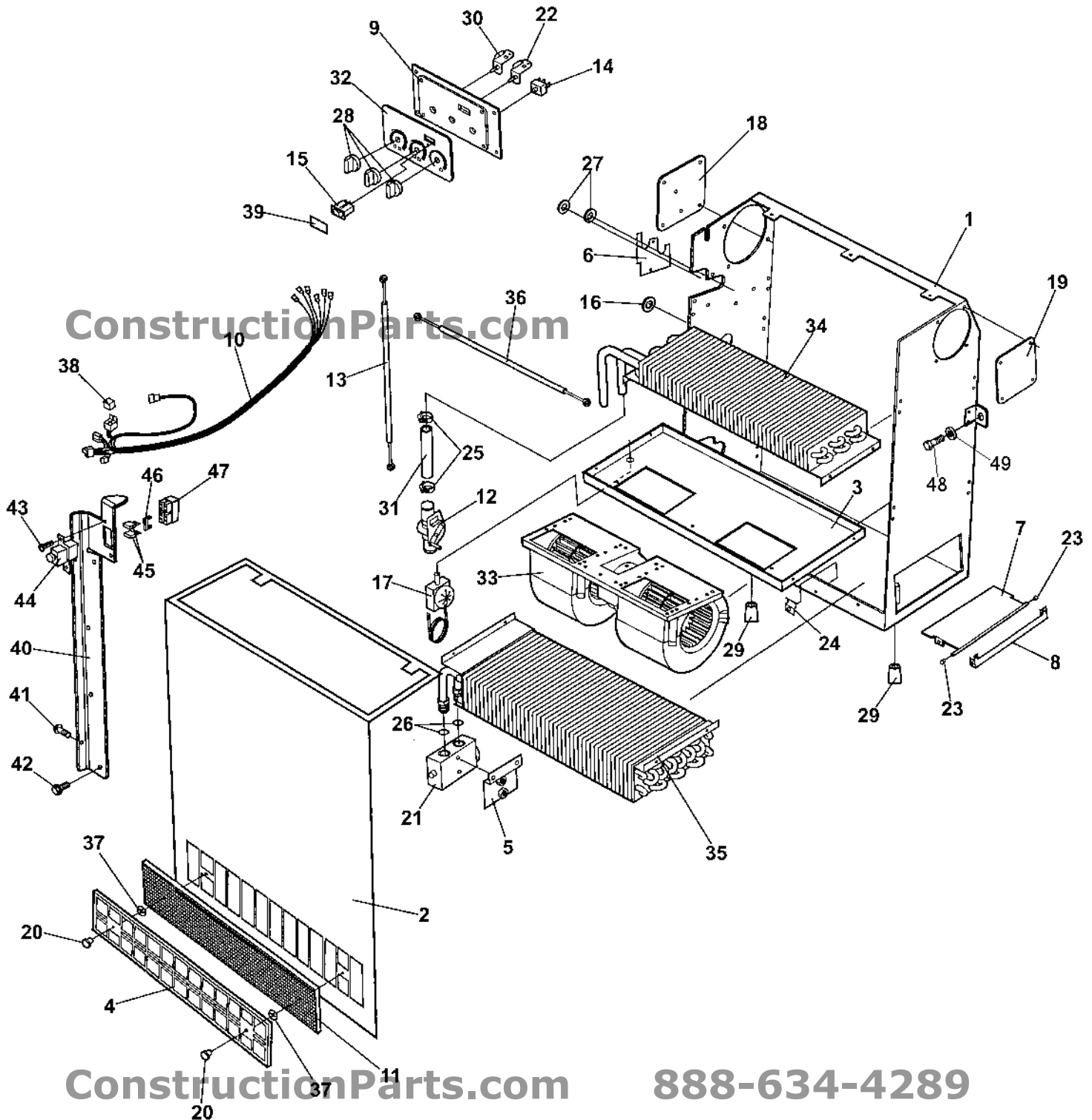
ConstructionParts.com

888-634-4289

Air conditioner and heater unit

18681 **ConstructionParts.com**

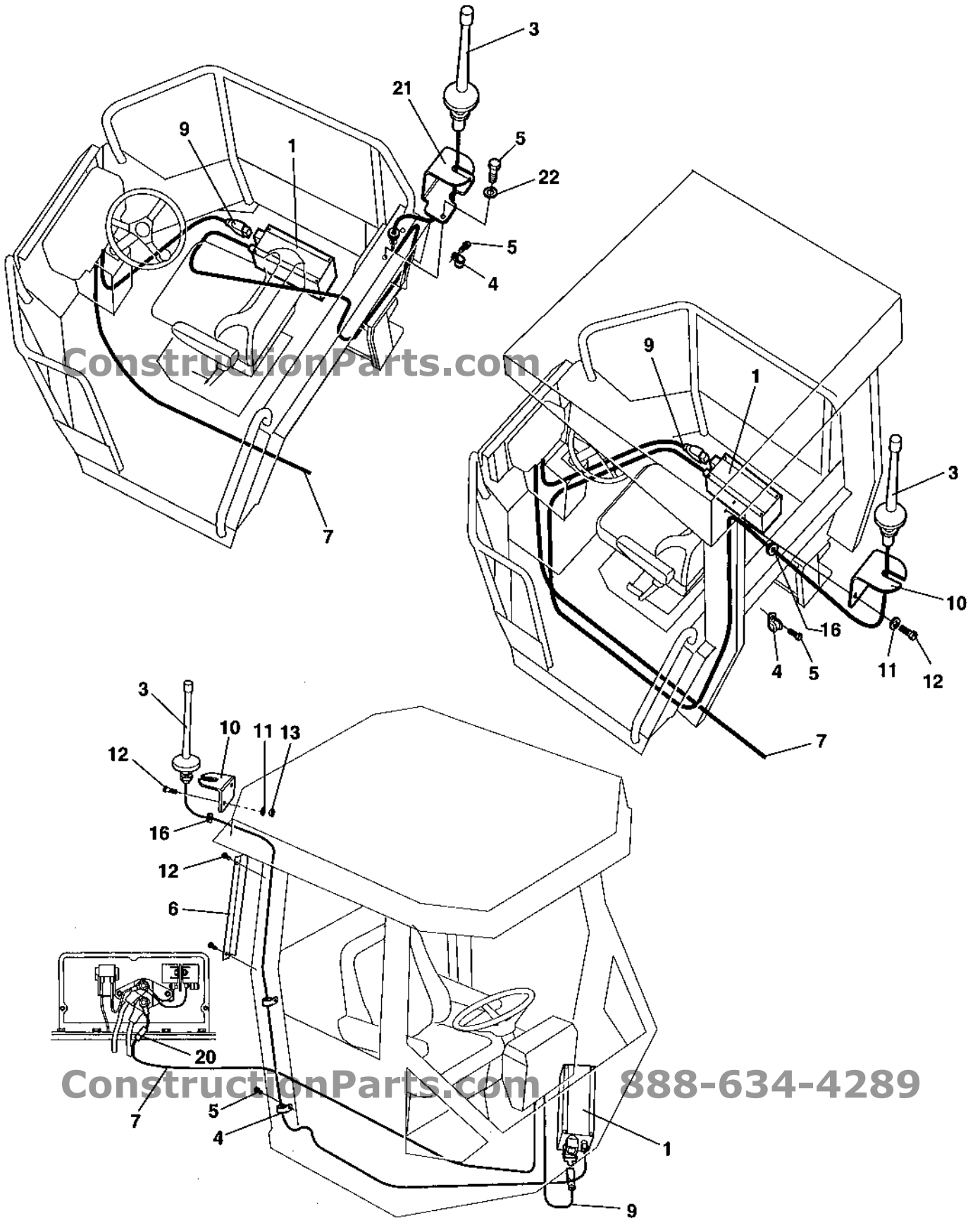
888-634-4289



Air conditioner and heater unit

Item	Part No	Rem	Qty	Description	Code
1	4700938625		1	Casing	
2	4700938626		1	Cover	
3	4700938627		1	Fan bracket	
4	4700384760		1	Filter grill	
5	4700384177		1	Holder	
6	4700938628		1	Cover	
7	4700938629		1	Cover	
8	4700938630		1	Bracket	
9	4700945174		1	Panel	
10	4700945175		1	Cable harness	
11	4700384761		1	Air filter element	
12	4700939693		1	Heater control valve	
13	4700938645		1	Bowden cable	
14	4700938622		1	Switch	B
15	4700938619		1	Switch	B
16	4700938644		1	Cap	C
17	4700384897		1	Thermostat	B
18	4700945176		1	Cover plate	
19	4700945177		1	Cover plate	
20	4700938634		2	Knob	D
21	4700394176		1	Noise cover	
22	4700938621		2	Rotary control	
23	4700938635		2	Sleeve	
24	4700384880		1	Wire clamp	C
25	4700313003		2	Hose clamp	D
26	4700384878		2	O-ring	C
27	4700384927		2	Grommet	C
28	4700938620		3	Knob	D
29	4700938636		2	Drain valve	C
30	4700385134		2	Lock washer	
31	4700384881		1	Hose	
32	4700945178		1	Panel overlay	
33	4700938638		1	Fan	C
34	4700938639		1	Heater coil	
35	4700383414		1	Evaporator	
36	4700384762		1	Wire	
37	4700939413		2	Star lock	
38	4700287597		1	Relay	D
39	4700938643		1	Plug	C
40	4700379332	A	1	Holder	
41	4700792187	A	2	Screw M5x14	
42	4700541703	A	4	Screw M6x16	C
43	4700901767	A	2	Screw ST3,5x9,5 Black	
44	4700792091	A	1	Fuse holder	
45	4700903741	A	2	Fuse 20A Yellow Medium	A
46	4700901240	A	1	Connector	B
47	4700901699	A	1	Connector	
48	4700500019		5	Screw M8x16H 8.8 A2K	C
49	4700904229		5	Washer 8,4x16x1,5	

A) Only valid for simple cab

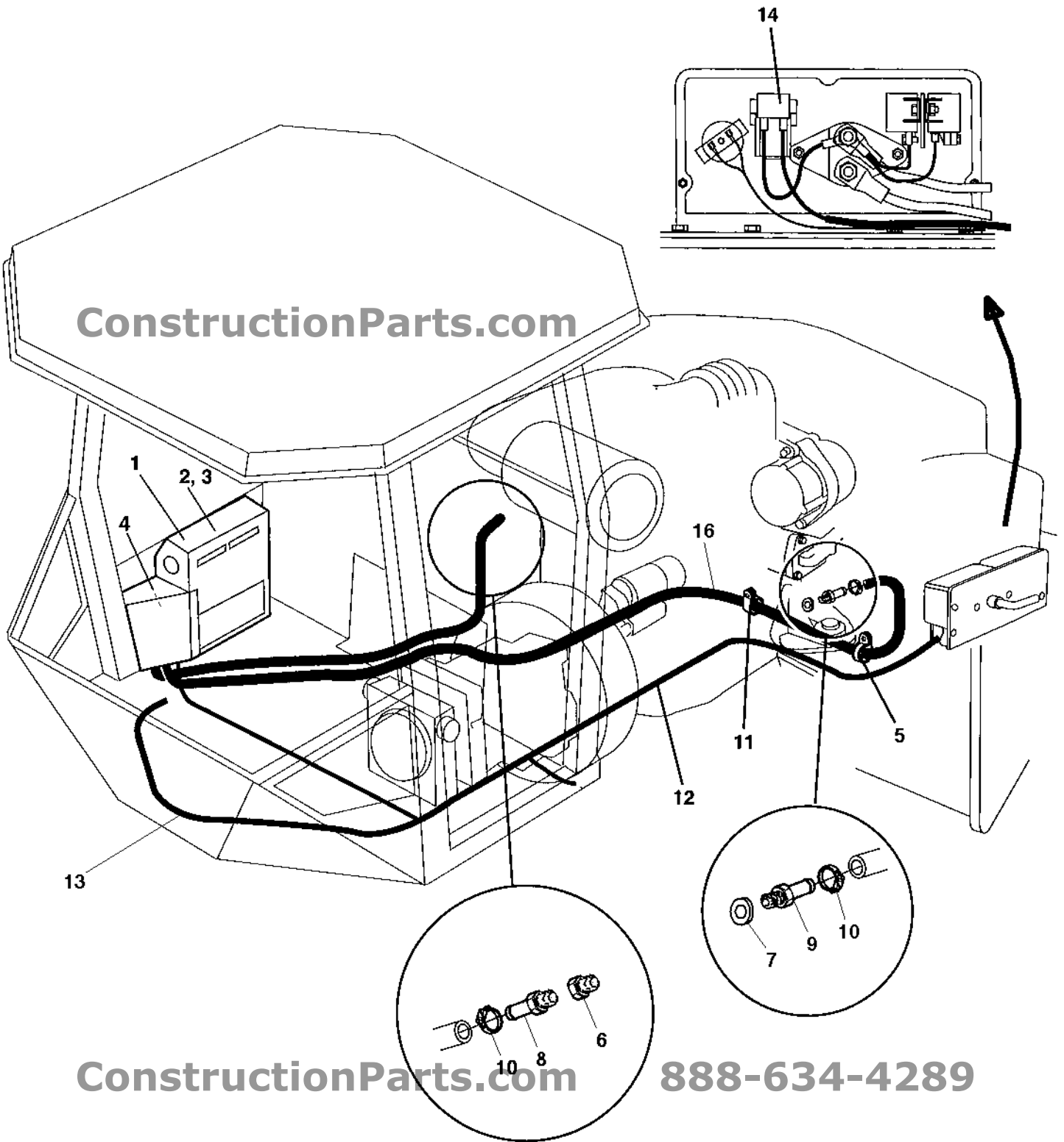


Dy-Mic

Item	Part No	Rem Qty	Description	Code
1	4700386390	1	Communicator box	
	4700508002	4	Screw M6x16	
3	4700386391	1	Antenna Cpl	
4	4700921039	4	Pipe clamp	C
5	4700904415	4	Screw	
6	4700386512	1	Cable holder	
7	4700386533	1	Cable harness	
8	4700930154	3	Contact piece, NC	B
9	4700386392	1	Cable harness	
10	4700386506	1	Antenna holder	
11	4700904228	4	Washer 6,4x12x1,5	
12	4700500040	4	Screw M6-1x20 8,8	C
13	4700586002	2	Lock nut M6 -8	
16	4700909122	1	Grommet	C
17	4700313102	N	Cable ties	
18	4700313041	N	Cable ties	
20	4700901224	1	Fuse 3A	A
21	4700386507	1	Antenna holder	
22	4700904281	2	Washer 5,3x10x1 300HV	C

ConstructionParts.com

888-634-4289



Heater Simple cab

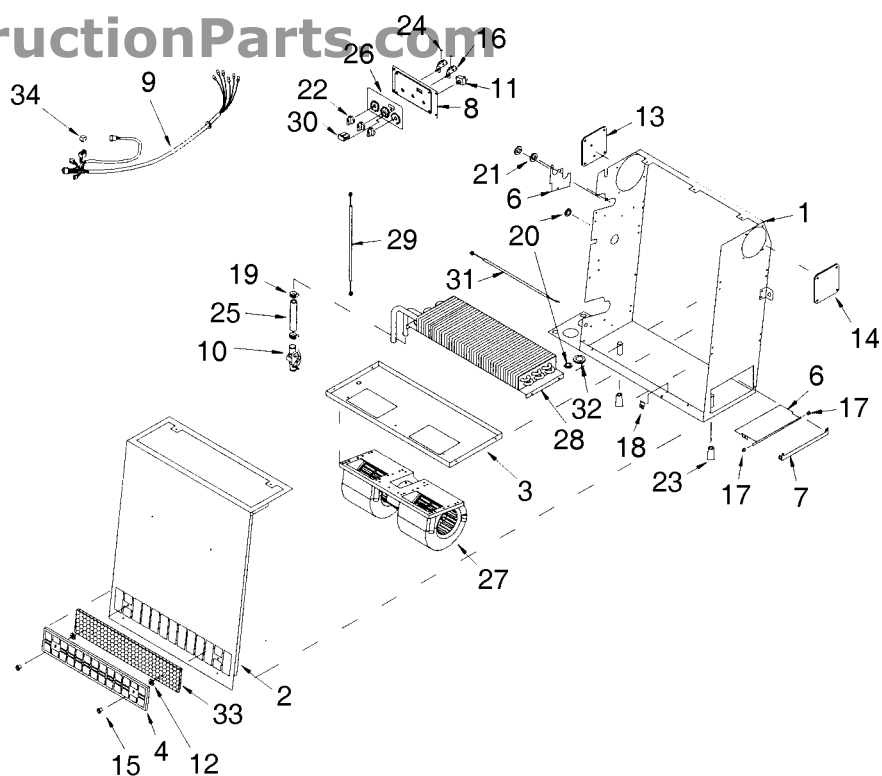
Item	Part No	Rem	Qty	Description	Code
1	4700379394		1	Heater box (Page 172)	
2	4700500019		6	Screw M8x16H 8.8 A2K	C
3	4700904229		6	Washer 8,4x16x1,5	
4	4700903741		2	Fuse 20A Yellow Medium	A
5	4700921056		1	Clamp	C
6	4700813434		1	Reducer	
7	4700330330		1	Copper washer	
8	4700387638		1	Hose connection	
9	4700391303		1	Hose connection	
10	4700313004		4	Hose clamp	C
11	4700921132		2	Clamp	C
12	4700387466		1	Cable harness	
13	4700394210		1	Cable harness	
14	4700904039		1	Fuse 50A Red High	A
15	4700313102		N	Cable ties	
16	4700937737	A	2XL	Hose	

A) L=3600 mm

ConstructionParts.com

888-634-4289

ConstructionParts.com



ConstructionParts.com

888-634-4289

4700379394 Heater box

Item	Part No	Rem	Qty	Description	Code
10	4700939693		1	.Heater control valve	
11	4700938622		1	.Switch	B
16	4700938621		2	.Rotary control	
19	4700313003		2	.Hose clamp	D
24	4700385134		2	.Lock washer	
25	4700384881	A	1	.Hose	
27	4700938638		1	.Fan	C
28	4700938639		1	.Heater coil	
29	4700938645		1	.Bowden cable	
31	4700384762		1	.Wire	
33	4700384761		1	.Air filter element	
34	4700287597		1	.Relay	D

A) L=200 mm

ConstructionParts.com

888-634-4289

ConstructionParts.com

888-634-4289

ConstructionParts.com

888-634-4289

ConstructionParts.com

ConstructionParts.com

888-634-4289

NUMERICAL INDEX

Part Number	Page	Part Number	Page	Part Number	Page
4700100040	23	4700334558	91	4700372709	15
4700116041	31	4700335607	103	4700372757	115
4700160105	31	4700337042	23	4700372772	41
4700160132	81	4700337045	23	4700372784	111
4700160358	31	4700338304	91,103	4700372785	115,129
4700162017	31	4700340863	83	4700372836	111
4700162018	31	4700343159	23	4700372837	157
4700167023	31	4700343318	31	4700372964	123
4700167032	23	4700343322	31	4700372987	29,37
4700192812	41	4700343550	105	4700373016	77,111
4700205027	43	4700343744	31	4700373017	81
4700212553	67	4700343775	15	4700373096	111
4700230277	31,49	4700343801	31	4700373140	111
4700230515	41	4700345870	163	4700373203	25
4700232097	91	4700345871	23	4700373204	25
4700232210	31	4700345872	23	4700373270	77,81
4700234218	91	4700345873	23	4700373309	25
4700234382	81	4700345874	23	4700373363	149
4700234388	99	4700345875	23	4700373364	149
4700234622	99	4700346230	161	4700373400	115
4700234626	91	4700347119	15	4700373421	23
4700234662	91	4700347512	115	4700373423	77
4700234843	97	4700348213	111	4700373424	81
4700234888	97	4700348331	115,149	4700373442	31
4700234919	49	4700349435	111	4700373443	31
4700238158	105	4700349715	31	4700373460	15,49
4700244054	49	4700355869	123	4700373574	49
4700246069	43	4700355890	157	4700373746	125
4700272372	149	4700355983	55	4700373747	125
4700272373	147	4700356348	99	4700373748	125
4700287597	167,173	4700357138	11	4700373749	125
4700287598	165	4700357488	15	4700373750	125
4700311016	157	4700357643	115	4700373891	103
4700313001	49	4700357855	117	4700373906	125
4700313002	49	4700358033	19	4700373907	125
4700313003	167,173	4700358090	147	4700373955	25
4700313004	163,171	4700358388	79	4700373956	25
4700313006	43	4700358452	107	4700373957	25
4700313010	43	4700358881	147,149,153	4700374028	99
4700313035	41	4700359955	31	4700374606	129
4700313041	49,103,111,169	4700370229	41	4700374607	129
4700313068	161	4700370231	31	4700374744	15
4700313075	43	4700370792	127	4700374797	25
4700313093	47,51,161	4700370803	127	4700374798	25
4700313094	51	4700371366	25	4700374799	25
4700313102	43,91,99,111,161 169,171	4700371509	77,79	4700374854	27
4700330171	49	4700371767	45	4700374900	23
4700330330	161,171	4700371774	43	4700375678	27
4700330331	41	4700372087	15	4700375681	27
4700330333	41,71	4700372229	7,11	4700376000	91,93
4700330388	41,81	4700372235	77	4700376252	115
4700334121	81,91	4700372347	127	4700376255	129
4700334122	81	4700372409	127	4700376488	127
4700334132	77	4700372457	129	4700376489	127
4700334135	81	4700372489	127	4700376551	159
4700334138	77	4700372494	115,129	4700376622	19,21,159
4700334196	99	4700372513	91	4700376652	17
4700334197	91	4700372514	91	4700376667	17
4700334205	81,97	4700372575	25	4700376819	19,21
4700334389	97	4700372608	25	4700376825	19
4700334524	97	4700372658	27,157	4700376826	19
		4700372678	127	4700376829	21

NUMERICAL INDEX

Part Number	Page	Part Number	Page	Part Number	Page
4700377009	121	4700382335	25	4700387227	117
4700377010	121	4700382336	25	4700387427	103
4700377011	121	4700382382	25	4700387466	161,171
4700377012	121	4700382384	25	4700387545	117
4700377014	121	4700382387	25	4700387638	163,171
4700377015	121	4700382393	41	4700387683	105
4700377016	121	4700382397	129	4700387720	117
4700377018	121	4700382571	159	4700388089	31
4700377019	119	4700382572	159	4700388145	55
4700377020	119	4700382582	115,129	4700388146	55
4700377021	119	4700382751	147	4700388210	111
4700377024	119	4700383225	127	4700388855	41
4700377071	109	4700383413	155,161,165	4700389063	31
4700377098	51	4700383414	167	4700389577	107
4700377518	115,129	4700383452	111	4700389600	47
4700377556	115,129	4700383705	115	4700389662	103
4700377677	127	4700383783	31	4700390529	161
4700377742	149	4700383856	53,65	4700390587	55
4700377743	149	4700383955	55	4700390588	55
4700377744	147	4700383958	81,85	4700390589	55
4700378335	117	4700383974	55	4700390590	55
4700378745	103	4700383975	55	4700390591	55
4700378759	121	4700384048	17	4700390759	55
4700379163	41	4700384114	31	4700390760	55
4700379164	41	4700384159	147	4700390762	55
4700379236	135	4700384177	167	4700390823	161
4700379275	161	4700384498	23	4700390824	161
4700379285	161	4700384589	161	4700390897	31
4700379286	161	4700384759	129	4700390900	147
4700379332	167	4700384760	167	4700390927	137
4700379394	171,173	4700384761	167,173	4700391194	31
4700379480	41	4700384762	167,173	4700391206	31
4700379481	91	4700384875	161	4700391219	143
4700379608	133	4700384876	161	4700391303	161,171
4700379621	41	4700384877	161	4700391379	121
4700379630	91	4700384878	161,167	4700391380	121
4700379636	115	4700384879	161	4700391381	121
4700379637	127	4700384880	167	4700391382	121
4700380018	31	4700384881	167,173	4700391383	121
4700380078	83	4700384897	167	4700391386	121
4700380109	25	4700384927	167	4700391663	41
4700380123	115	4700385134	167,173	4700391784	117
4700380145	81,83	4700385152	25	4700392002	91,95
4700380462	29,31,35	4700385442	161	4700392100	95
4700380727	115	4700385443	161	4700392103	95
4700380798	109	4700385599	105	4700392105	95
4700380963	125	4700385691	47	4700392170	43
4700380964	125	4700386366	15	4700392220	43
4700380993	23	4700386390	169	4700392283	41
4700381027	31	4700386391	169	4700392284	41
4700381330	127	4700386392	169	4700392294	51
4700381351	111	4700386506	169	4700392295	51
4700381352	127	4700386507	169	4700392296	51
4700381353	127	4700386512	169	4700392297	43
4700381413	43	4700386533	169	4700392313	43
4700381989	27	4700386789	51	4700392394	115
4700382129	25	4700386853	43	4700392714	43
4700382130	25	4700386943	43	4700392715	43
4700382131	25	4700386966	47	4700392741	47
4700382132	25	4700387085	43	4700392742	47
4700382139	159	4700387129	41	4700392747	51
4700382165	25	4700387226	117	4700392773	107

NUMERICAL INDEX

Part Number	Page	Part Number	Page	Part Number	Page
4700392810	47	4700483397	81	4700500192	161
4700392822	31	4700483445	99	4700500194	31,41,81,111
4700392875	115	4700483497	91	4700500195	115,129
4700392899	119	4700483498	91	4700500196	31
4700392900	119	4700483910	81	4700500206	159
4700392937	103	4700483911	81	4700500210	115
4700392996	105	4700483995	77	4700500239	127
4700393002	53,55,57	4700483996	77	4700500286	159
4700393021	41	4700484005	99	4700500287	23
4700393022	41	4700500004	103	4700500505	25,117
4700393045	47	4700500006	49	4700502019	81
4700393052	15	4700500007	117	4700502078	81
4700393058	47	4700500012	43	4700502132	77
4700393059	47	4700500013	27,49,103,107	4700508002	169
4700393062	43		115,161	4700508029	41,91
4700393081	43	4700500018	23,27,45,99	4700508068	121
4700393086	47	4700500019	25,31,43,47,91	4700508079	41
4700393089	47		103,135,143,167	4700508092	119
4700393096	41		171	4700509025	41
4700393097	47	4700500021	25,107,119,125	4700513017	117
4700393276	31		157	4700527002	31
4700393277	31	4700500022	51,125,127,161	4700535005	139
4700393278	31	4700500023	91,161	4700535011	25
4700393279	31	4700500025	43,103	4700541526	111
4700393335	55	4700500026	25	4700541702	107
4700393361	43	4700500028	25,43,81	4700541703	167
4700393362	43	4700500029	15,31,49,77,115	4700570004	27,103,105,121
4700393405	161		117,129		161
4700393406	161	4700500030	25,81	4700570005	25,45,103,129
4700393408	161	4700500031	123		161
4700393543	111	4700500032	77,81	4700570006	161
4700393647	161	4700500037	23	4700570007	31
4700393954	161	4700500040	27,45,47,109,169	4700570015	159
4700393955	161	4700500043	15	4700586001	103,119
4700394061	105	4700500044	91	4700586002	103,105,125,169
4700394176	167	4700500046	47,91	4700586003	47,103,107,115
4700394210	161,171	4700500047	41		119,125,161
4700394680	47	4700500048	123,161	4700586019	19,21,41,121
4700394686	11,47	4700500049	19	4700586022	159
4700394687	11,47	4700500051	31,103	4700588176	147
4700394905	91	4700500053	43,51,99,103,105	4700600016	95
4700395119	27		109,111,115,135	4700624005	147
4700396030	31		161	4700624016	127
4700396142	31	4700500056	19	4700635061	15,95
4700396185	51	4700500060	103	4700747282	49
4700396309	53,73	4700500070	41	4700791156	31
4700396968	105	4700500075	43,103,105	4700791175	55
4700397126	15	4700500076	19,21	4700791176	55
4700397128	103	4700500079	111	4700791183	103
4700397130	15	4700500082	31	4700791185	103,105
4700416034	119	4700500088	27	4700791211	105
4700482056	97	4700500100	127	4700791218	129
4700482399	97	4700500101	77	4700791226	115
4700482474	97	4700500102	17	4700791230	77
4700483031	81	4700500133	25	4700791378	143
4700483049	91	4700500153	125	4700791468	41
4700483109	91	4700500154	41	4700791476	117
4700483188	99	4700500163	51	4700791477	103
4700483190	77	4700500165	31,159	4700791479	103
4700483231	91	4700500180	161	4700791503	103
4700483280	91	4700500184	103	4700791513	49
4700483286	81	4700500188	15	4700791573	55

NUMERICAL INDEX

Part Number	Page	Part Number	Page	Part Number	Page
4700791578	105	4700901220	157	4700903423	147
4700791582	105	4700901224	109,169	4700903424	147
4700791583	105	4700901225	105	4700903425	147
4700791584	105	4700901227	103,105	4700903457	93
4700791585	105	4700901228	105	4700903459	147
4700791587	105	4700901230	103	4700903570	79
4700791588	105	4700901240	167	4700903571	79
4700791597	45	4700901385	83	4700903631	103
4700791642	147	4700901386	83	4700903632	103
4700791657	105	4700901387	83	4700903640	103
4700791723	105	4700901389	83	4700903641	103
4700791733	105	4700901390	83	4700903714	43
4700791739	105	4700901443	55	4700903727	115
4700791927	31	4700901444	55	4700903732	25
4700791948	21	4700901453	79	4700903741	167,171
4700792015	161	4700901465	79	4700903760	103
4700792081	41	4700901467	79	4700903768	103
4700792083	105	4700901699	167	4700903782	105,135
4700792091	167	4700901742	89	4700903792	17,33
4700792187	167	4700901767	25,103,105,167	4700903852	163
4700792237	91	4700901832	165	4700903877	81
4700792248	163	4700901834	65,73	4700903919	31
4700792251	49	4700901987	63,71	4700903945	121
4700792261	55	4700902123	123	4700903946	121
4700792275	41	4700902125	99	4700903947	121
4700792315	105	4700902166	25,43,45,51,115	4700903956	105
4700792317	105		117	4700903985	55
4700792318	105	4700902203	115	4700904005	77,91
4700792319	105	4700902284	25,103	4700904018	103
4700792413	105	4700902285	27,41,43,47,109	4700904020	103
4700792414	105		111	4700904036	103
4700792432	105	4700902286	25,45	4700904038	103
4700792435	105	4700902288	111	4700904039	163,171
4700792461	105	4700902468	103	4700904058	77
4700792462	105	4700902496	111	4700904068	147,149
4700792463	105	4700902610	157	4700904076	43,51
4700792464	33	4700902624	85	4700904098	149
4700792526	49	4700902625	89	4700904165	161
4700792547	49	4700902655	83	4700904177	31
4700792682	103	4700902687	85	4700904180	127
4700792808	49	4700902693	89	4700904206	111
4700792814	49	4700902695	85	4700904213	19
4700801187	31	4700902697	89	4700904228	27,41,43,47,49
4700813391	15	4700902723	89		103,107,109,115
4700813434	103,163,171	4700902724	85		125,161,169
4700813444	91	4700902735	89	4700904229	15,23,31,41,43
4700813462	103	4700902783	89		47,51,81,91,99
4700813500	91	4700902792	87		103,105,107,109
4700813791	47	4700902811	89		111,115,119,125
4700813822	79	4700902856	85		129,135,143,161
4700900256	73	4700902861	93		167,171
4700900430	81	4700902862	93	4700904230	15,27,31,43,49
4700900552	97	4700902866	25,27		77,81,115,117
4700900775	31	4700902915	147		123,129,161
4700900957	61,69	4700902919	15	4700904231	19,23,27,31,47
4700900966	61,69	4700902928	79		51,81,91,103,111
4700901121	49	4700902944	35		115,129
4700901145	55,115,129	4700903053	79	4700904232	19,21,31,41,81
4700901155	81	4700903192	111,115		159
4700901157	81	4700903281	31	4700904233	31,41,55,115,129
4700901190	111	4700903290	77,115,129		159
4700901218	55	4700903422	147	4700904234	17,33,127

NUMERICAL INDEX

Part Number	Page	Part Number	Page	Part Number	Page
4700904241	25	4700908582	137	4700926786	59
4700904281	49,103,117,169	4700908583	137	4700926810	69
4700904292	41	4700908605	141	4700926847	61,69
4700904340	125	4700908617	141	4700926985	45
4700904352	43	4700908623	139	4700927233	121
4700904415	169	4700908624	139	4700927278	89
4700904433	115,129	4700908773	79	4700927350	83
4700904486	43	4700908780	93	4700927358	85
4700904543	163	4700909122	169	4700927637	25
4700904551	43	4700909252	79	4700927974	115,129
4700904556	25,103,119	4700909253	79	4700928231	33
4700904557	15,25	4700909255	79	4700928830	123
4700904558	17	4700909469	85,89	4700929013	93
4700904562	127	4700909514	85,89	4700929014	93
4700904563	121	4700909544	61,69	4700929023	103
4700904567	27,161	4700909567	67	4700929123	91
4700904619	127	4700909568	67	4700929217	55
4700904623	45	4700909569	67	4700929226	81
4700904637	41,91	4700909570	67	4700929447	31
4700904638	41,77	4700909572	67	4700929612	61,63,71
4700904640	25,43,51,127,157	4700909574	67	4700929617	61,69
4700904653	117	4700909576	67	4700929625	67
4700904695	49	4700909580	67	4700929626	67
4700904703	21,41	4700909581	67	4700929628	67
4700904723	147	4700909582	65	4700929629	67
4700904734	127,161	4700909583	65	4700929630	67
4700904737	31	4700909584	65,73	4700929631	67
4700904767	81	4700909586	71	4700929638	67
4700904773	81	4700909596	69,71	4700929644	67
4700904774	81	4700909607	69	4700929648	57,65,73
4700904780	103	4700909609	69	4700929712	57
4700904781	81	4700909616	61,69	4700930151	111
4700904835	149	4700909618	61,69	4700930154	169
4700904870	147	4700909619	61,69	4700935158	85
4700904874	25	4700909622	61,69	4700935164	87
4700904910	109	4700909624	61,69	4700935172	89
4700904984	49	4700909626	61,69	4700935192	85
4700904985	49	4700909630	57	4700935212	89
4700905304	141	4700910161	91	4700935219	85
4700905305	141	4700910995	23	4700935244	137
4700905306	141	4700911620	93	4700935245	137
4700908136	45,99	4700921028	41	4700935246	137
4700908229	147	4700921039	107,169	4700935247	137
4700908367	87	4700921044	161	4700935248	137
4700908375	89	4700921056	161,171	4700935249	137
4700908383	85	4700921072	103	4700935250	137
4700908384	89	4700921084	49	4700935253	137
4700908399	47	4700921132	171	4700935265	137
4700908432	79	4700923087	79	4700935266	137
4700908450	9	4700923342	67	4700935267	137
4700908452	47	4700923384	77	4700935268	137
4700908485	67	4700924791	125	4700935269	137
4700908499	133,135,137	4700925208	23	4700935270	137
4700908501	161	4700925629	27	4700935271	133,137
4700908502	161	4700925802	161	4700935272	133,137
4700908503	161	4700926214	23	4700935273	133,137
4700908504	161	4700926354	59	4700935274	133,137
4700908506	135	4700926356	59	4700935275	133,137
4700908507	135	4700926537	119	4700935276	133,137
4700908545	133,137	4700926658	79	4700935277	133,137
4700908580	137	4700926736	31	4700935278	133
4700908581	137	4700926781	63,71	4700935279	133

NUMERICAL INDEX

Part Number	Page	Part Number	Page	Part Number	Page
4700935280	133	4700935869	37	4700937203	89
4700935281	133	4700935870	35,37	4700937204	89
4700935282	133	4700935871	37	4700937205	89
4700935283	133	4700935872	37	4700937206	89
4700935284	133	4700935873	37	4700937240	89
4700935285	133	4700935874	35,37	4700937256	83
4700935286	133	4700935875	35,37	4700937257	83
4700935287	133	4700935876	35,37	4700937258	83
4700935288	133	4700935877	35,37	4700937259	83
4700935289	133	4700935878	37	4700937260	83
4700935290	133	4700935879	37	4700937261	83
4700935291	133	4700935880	37	4700937264	83
4700935293	133	4700935881	35,37	4700937265	83
4700935295	133	4700935882	35,37	4700937274	79
4700935296	133	4700935883	35,37	4700937275	79
4700935297	133	4700936035	59	4700937277	79
4700935298	133	4700936036	59	4700937278	79
4700935299	133	4700936053	59	4700937279	79
4700935300	133	4700936054	59	4700937280	79
4700935301	133	4700936055	59	4700937283	79
4700935302	133	4700936056	59	4700937380	133
4700935303	135	4700936307	85	4700937381	133
4700935380	37	4700936308	85	4700937382	133
4700935394	35,37	4700936313	89	4700937383	133
4700935395	35,37	4700936340	85	4700937384	133
4700935398	37	4700936370	89	4700937385	133
4700935399	37	4700936393	85	4700937389	133
4700935400	37	4700936394	89	4700937390	137
4700935401	37	4700936613	89	4700937391	137
4700935402	37	4700936614	89	4700937392	137
4700935403	37	4700936621	87	4700937393	137
4700935404	37	4700936648	85	4700937531	85
4700935413	35,37	4700936673	89	4700937674	83
4700935414	35,37	4700936674	89	4700937737	161,171
4700935415	37	4700936686	85	4700937870	143
4700935421	37	4700936803	85	4700937871	141
4700935429	93	4700937167	85,87	4700937985	85
4700935468	93	4700937168	85,89	4700937986	85
4700935580	143	4700937170	87	4700937993	83
4700935613	123	4700937171	87	4700937995	83
4700935614	123	4700937172	87	4700937998	85
4700935619	79	4700937173	87	4700937999	85
4700935621	79	4700937174	87	4700938001	85
4700935622	79	4700937175	87	4700938003	85
4700935623	79	4700937176	87	4700938004	85
4700935624	79	4700937180	87	4700938005	85
4700935625	79	4700937181	87	4700938014	85
4700935626	79	4700937182	87	4700938017	137
4700935629	79	4700937183	87	4700938018	137
4700935630	79	4700937184	87	4700938040	83
4700935631	79	4700937185	87	4700938041	83
4700935853	79	4700937186	87	4700938042	83
4700935859	35,37	4700937187	87	4700938062	93
4700935860	37	4700937188	87	4700938063	93
4700935861	37	4700937189	87	4700938064	93
4700935862	35,37	4700937190	87	4700938065	93
4700935863	37	4700937195	85	4700938066	93
4700935864	37	4700937198	85	4700938067	93
4700935865	35,37	4700937199	85	4700938068	93
4700935866	35,37	4700937200	85	4700938069	93
4700935867	35,37	4700937201	85	4700938070	93
4700935868	35,37	4700937202	89	4700938071	93

NUMERICAL INDEX

Part Number	Page	Part Number	Page	Part Number	Page
4700938072	93	4700939167	85	4700945760	11
4700938073	93	4700939173	85	4700945775	85
4700938074	93	4700939255	69	4700945776	85
4700938075	93	4700939256	69	4700945777	49
4700938101	137	4700939257	67	4700945790	5,9
4700938290	133	4700939258	67	4700945845	5,7
4700938291	133	4700939259	67	4700945846	5,11
4700938292	133	4700939260	67	4700947680	119
4700938296	69	4700939261	67	4700950368	79
4700938597	165	4700939263	71	4700950382	119
4700938598	165	4700939264	71	4700950555	73
4700938599	165	4700939265	71	4700950556	57
4700938600	165	4700939266	71	4700950557	63
4700938601	165	4700939267	63,71	4700950558	61
4700938602	165	4700939268	71	4700950559	57
4700938603	165	4700939269	71	4700960727	103
4700938604	165	4700939270	63,71	4700991658	149
4700938605	165	4700939271	63,71	4700991990	147
4700938606	165	4700939272	63,71	4700999011	107
4700938607	165	4700939273	63,71	4700999027	105
4700938608	165	4700939275	71	47393691XX	147
4700938609	165	4700939276	71	47960787XX	147
4700938619	167	4700939277	71	4812110560	103
4700938620	167	4700939278	63,71	4812110773	27
4700938621	167,173	4700939280	61,69	4812110818	103
4700938622	167,173	4700939281	69	4812110860	31
4700938625	167	4700939282	61,69	4812155075	115
4700938626	167	4700939283	69	4812155659	43
4700938627	167	4700939284	69	4812155660	43
4700938628	167	4700939285	61,69	4812155661	43
4700938629	167	4700939286	69	4812155765	89
4700938630	167	4700939287	69	4812155788	35
4700938634	167	4700939348	61,63		
4700938635	167	4700939349	71		
4700938636	167	4700939350	61,63		
4700938638	167,173	4700939351	71		
4700938639	167,173	4700939413	167		
4700938643	167	4700939693	167,173		
4700938644	167	4700940308	87		
4700938645	167,173	4700940374	121		
4700938659	133	4700940451	105		
4700938678	143	4700940505	85		
4700938679	143	4700940507	85		
4700938691	161	4700940675	85		
4700938983	61,69	4700940678	137		
4700938984	61,69	4700945140	41		
4700938985	71	4700945145	7,9,11,41		
4700938988	59	4700945147	7,9,11,49		
4700938989	59,67	4700945174	167		
4700938991	59	4700945175	167		
4700938993	59	4700945176	167		
4700939008	63,71	4700945177	167		
4700939009	63	4700945178	167		
4700939010	63	4700945314	163		
4700939014	63	4700945315	163		
4700939015	63,71	4700945407	121		
4700939016	63,71	4700945538	49		
4700939017	63,71	4700945581	35		
4700939019	63,71	4700945624	7,9,11,41		
4700939026	61,69	4700945729	121		
4700939035	61,69	4700945730	41		
4700939036	61,69	4700945731	41		

888-634-4289

888-634-4289